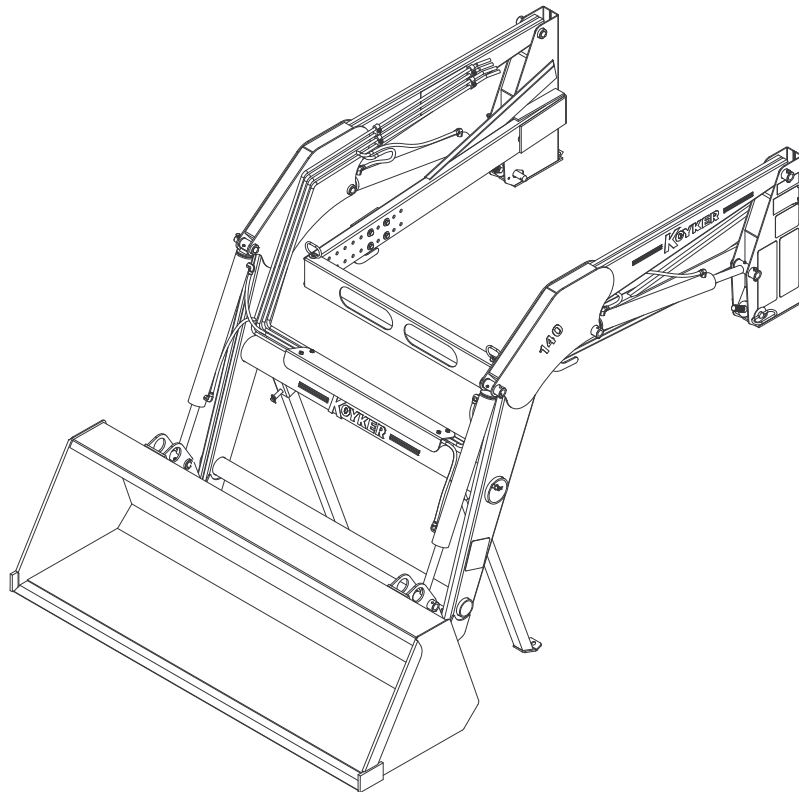


OWNERS MANUAL

MANUAL NO. 673614

4/4/06

KOYKER[®] 140 LOADER



**IMPORTANT-KOYKER DEALER
BE SURE THIS MANUAL IS GIVEN TO THE
PURCHASER FOR FUTURE REFERENCE
KOYKER MFG. CO., P.O. BOX 409
LENNOX, SD 57039**

Phone 1-800-456-1107 E-mail koyker@koykermfg.com

CONTENTS

CONTENTS	PAGE
Introduction	1
SAFETY INFORMATION	
Safety Alert Symbol	2
Safety Information	3-5
Safety Decals	6
Tractor & Safety Pointers	7
ASSEMBLY INSTRUCTIONS	
Attaching Loader	8
Attaching Bucket	8
Detaching Loader	9-10
OPERATING INSTRUCTIONS	
Operation.....	11
SERVICE AND MAINTENANCE	
Specifications.....	12
Loader Inspection, Lubrication, and Maintenance	13
Hydraulic System Parts Schedule.....	14
Hydraulic System Parts Diagram	15
“140” Loader Parts Diagram	16
Parts Identification Schedule	17-18
“140” Skid Steer Adapter Diagram	19
Parts Identification Schedule	20
Hydraulic Cylinders Information.....	21
1 3/4” Cylinder Service Kit	22
Cylinder Parts Schedule.....	23
Cylinder Parts Diagram	24
Piston and Gland Diagram	25
Dinoil Valve Hookup.....	26
LIMITED WARRANTY INFORMATION	
Limited Warranty	27-29
TORQUE SPECIFICATIONS	
Torque Specificatins.....	30

INTRODUCTION

For years, Koyker Manufacturing Company of Lennox, South Dakota, has provided the loader industry with innovative ideas for a more efficient and dependable means of material handling. Now, with the increasing popularity of the MFWD (Mechanical Front Wheel Drive) tractors, Koyker has again met the challenge and provided the market with a loader that will allow the efficient use of these tractors in material handling. The KOYKER 140 Loader provides you with state-of-the-art design and innovation for your material handling chores.

Features such as quality construction, ease of maintenance, and high performance operating capacities, all at a low price, make the new 140 Loader one of the most efficient loaders ever. With proper care and handling, it will provide many years of dependable service.

This manual is designed to provide you with important information regarding the basic loader and bucket. Our sincere intent, in providing this manual, is to help you or those involved better understand the machine and to prevent accidents.

Should you have any questions, comments, improvements, or suggestions regarding the contents of any of the manuals provided, please contact Koyker Manufacturing Company (800-456-1107 or E-mail koyker@koykermfg.com).

We care about your safety!

Remember ALL safety decals are no charge from the factory. Please replace all safety decals if missing or damaged. Your safety is important to us.

SAFETY ALERT SYMBOL

The symbol shown below is used to call your attention to instructions concerning your personal safety. Watch for this symbol, it points out important safety precautions. It means **ATTENTION! Become Alert! Your Personal Safety Is Involved!**

Read the message that follows and be alert to the possibility of personal injury or death.

DANGER: Indicates an imminently hazardous situation that, if not avoided, will result in death or serious injury.

WARNING: Indicates a potentially hazardous situation that, if not avoided, could result in death or serious injury.

CAUTION: Indicates a potentially hazardous situation that, if not avoided may result in minor or moderate injury.



WARNING!

Anyone who will operate or work around a front-end loader should first read this manual.

SAFETY

Improper use of a loader can cause serious injury or death. The following safety precautions, and those given on the tractor mount installation instructions, should be thoroughly understood before attempting to operate this machine.

BEFORE OPERATING:

Carefully study and understand this manual, the specific tractor mount instructions, and the attachment(s) manual(s).

Prior to operation, inspect the loader for system leaks and damaged, missing, or malfunctioning components in an effort to avoid the possibility of a dangerous failure involving structural members or hydraulic system components.

Be certain any repairs necessary are completed prior to loader operation.

Follow recommended maintenance procedures and precautions on Page 13.

Completely familiarize yourself and others involved with the operation of the hydraulic control valve before operating the loader.

Be certain all bystanders are clear of the machine and operation area prior to operation.

It may be necessary to add wheel ballast or rear weights as recommended by the tractor manufacturer to maintain stability of the machine to prevent tipping or upset which could result in serious injury or death. See mounting instructions for specific information.

It is recommended that both front and rear wheel treads be set to the widest recommended width to prevent tipping or upset which could result in serious injury or death.

This loader is designed for farm type operations such as snow removal, barn and feedlot cleaning, light commercial or light grading and digging. It's design is **NOT** intended for commercial and/or industrial use.

DURING OPERATION:

Never operate the machine other than from the tractor operator's seat.

Be sure operating area is clear of others during machine operations.

Never lift, hoist, or carry humans in the bucket or on any portion of the loader or loader attachments. Failure to heed, may result in serious injury or death.

SAFETY CONTINUED

Transport the machine load at the slowest speed possible and with the loader boom at the lowest transport position to avoid tipping or upsetting, which may result in serious injury or death.

Be extremely careful when working on inclines or near loose fill, rocks, and holes as they can cause tipping or upsetting which may result in serious injury or death.

Be certain to avoid overhead electrical wires when operating loader. Contact with power lines may cause serious injury or death.

Avoid sudden stops when lowering or lifting the loader boom to prevent loss of control over the machine and/or load, which may result in serious injury or death.

Use maximum ballast and the widest recommended wheel setting on your tractor when handling large shiftable loads.

Never attempt to ram with the bucket at high speed or full tractor power. Sudden impact may result in structural failure and possible serious injury or death.

Never adjust or perform maintenance on the loader or tractor with the unit in motion, or without power source locked out.

Never get under bucket or lift arms or reach through the lift arms or bucket linkage when the loader is in operation. Inadvertent movement may cause serious injury or death.

FOLLOWING OPERATION:

Whenever the machine is not in operation, lower the loader boom and set the tractor brakes, disengage drive, shut the engine off, and remove the ignition key before dismounting the tractor.

If loader is to be disengaged from tractor, be sure the loader is securely supported on a hard, level surface and the stand is securely engaged. Be certain all connections between tractor and loader are free before disengaging.

TRANSPORTING:

Use safety lights and SMV emblem in addition to whatever local codes require when equipment is being transported on the road or highway. Check with proper authorities for legal limitations.

Transport all loads at a slow and safe speed.

Carry the load as low as possible and maintain adequate visibility and good round clearance at all times.

SAFETY CONTINUED

PERFORMING MAINTENANCE:

Carefully review, understand, and follow the “maintenance” section in this owners manual before attempting to service loader.

Lower the bucket or attachment to the ground, shut off tractor engine, and relieve pressure in the hydraulic system before adjusting, lubricating, or servicing the loader.

Escaping hydraulic oil under pressure can penetrate the skin. Never use any part of your body to check for hydraulic leaks. Use cardboard when checking for leaks. See Fig. 5-1. Relieve hydraulic pressure before disconnecting any hydraulic line. Failure to heed may result in serious injury or death.

Before disconnecting hydraulic lines, lower the loader and attachments. Lock out the hydraulic supply and relieve all hydraulic pressure.

Replace any damaged or painted-over decals. See Page 6 for replacement decals.

REMEMBER:

1. Move Slowly!
2. Always use care and common sense!
3. Be careful for your own sake and for that of others!
4. Koyker Mfg. Co. includes all reasonable means for accident prevention except a safe and careful operator.

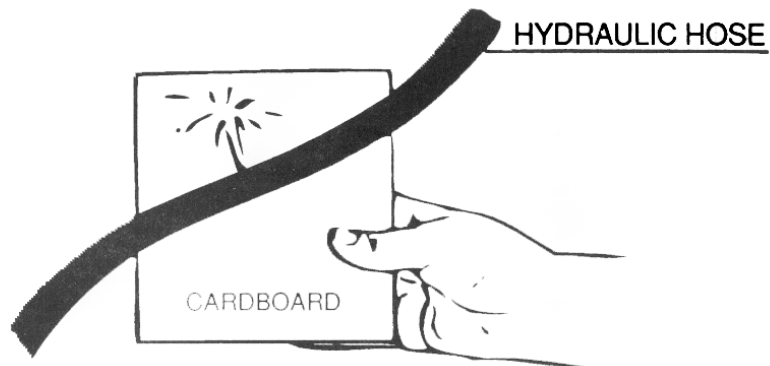
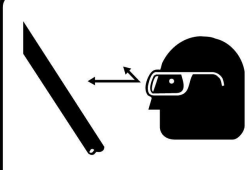



FIG. 5-1

SAFETY DECALS

	<h2 style="margin: 0;">⚠ WARNING</h2>
	<p style="text-align: center;">HIGH-PRESSURE FLUID HAZARD</p> <p>To prevent serious injury or death:</p> <ul style="list-style-type: none"> Relieve pressure on hydraulic system before servicing or disconnecting hoses. Wear proper hand and eye protection when searching for leaks. Use wood or cardboard instead of hands. Keep all components in good repair. Refer to owners manual if injury should occur. <p style="text-align: right; font-size: small;">666943</p>

<h2 style="margin: 0;">⚠ WARNING</h2>


<p>To avoid injury or death caused by falling loads:</p> <ul style="list-style-type: none"> Do not handle round bales unless loader is equipped with approved bale handling attachments. Handle raised loads with caution Carry load low Read operators manual
<h2 style="margin: 0;">⚠ WARNING</h2>

<p>To avoid injury from falls:</p> <ul style="list-style-type: none"> Do not work from or allow riders on loaders or its attachments <p>KOYKER MFG CO. INCLUDES ALL REASONABLE MEANS FOR ACCIDENT PREVENTION EXCEPT A SAFE AND CAREFUL OPERATOR.</p> <p style="text-align: right; font-size: x-small;">666944</p>

<h2 style="margin: 0;">⚠ WARNING</h2>

<p>To avoid injury from falling loader:</p> <ul style="list-style-type: none"> Do not walk or perform service under a raised loader. Lower loader to ground when parked. <p>KOYKER MFG CO. INCLUDES ALL REASONABLE MEANS FOR ACCIDENT PREVENTION EXCEPT A SAFE AND CAREFUL OPERATOR.</p> <p style="text-align: right; font-size: x-small;">666946</p>

<h2 style="margin: 0;">⚠ DANGER</h2>

<p>Serious injury or death can result from rollovers.</p> <ul style="list-style-type: none"> Use rops and seatbelt at all times. Add required rear ballast. Move wheels to widest recommended setting. Operate tractor at low seeds. Carry all loads close to ground.
<h2 style="margin: 0;">⚠ DANGER</h2>

<p>Serious injury or death can result from contact with electric lines.</p> <p>KOYKER MFG CO. INCLUDES ALL REASONABLE MEANS FOR ACCIDENT PREVENTION EXCEPT A SAFE AND CAREFUL OPERATOR.</p> <p style="text-align: right; font-size: x-small;">666945</p>

TRACTOR & SAFETY POINTERS

The use of good judgment and common sense is necessary by the operator in using this loader. The front and rear wheels should be set for the widest wheel tread to assure best stability. Use extra caution when rear wheel weights and tire ballast are added to a loader-equipped tractor. **DO NOT** ram into frozen dirt piles, frozen manure piles, ice, etc., with great momentum where sudden shock loads are encountered. Serious and costly damage may result to both the loader and the tractor.

When scraping or back dragging do not extend the attachment cylinders more than one half of the cylinder's stroke. A limited amount of leveling may be done, when the loader valving is arranged with a float control. This will prevent damage to cylinder rods. Never ride in the bucket.

Before operating the loader, be sure no one is standing near it. Only one person, the operator, should be on the tractor. Remain at the controls and under no circumstances leave the tractor unattended with the bucket in a raised position.

Never lift a person in the bucket or walk under a raised bucket.

Never drive your loader-equipped tractor down a hill that is steeper than 15 degrees. Carry all loads low and use care on side hills.

Always keep unused PTO shaft clutch levers disengaged.

Keep hands, feet, and clothing away from all moving parts.

Hydraulic oil, under pressure, can cause injury. Be sure that all connections are tight and that all pressure is relieved before disconnecting any lines.

Care must be taken with your loader cylinders. Nicks, scratches, rust, or other shaft damage can result in worn packing causing cylinder leakage and subnormal performance.

MOVE SLOWLY

USE COMMON SENSE

BE CAREFUL FOR YOUR OWN SAKE AND THAT OF OTHER PEOPLE

ATTACHING THE LOADER



IMPORTANT:

Never attempt loader attachment on grades which are not reasonably level.

1. Check to be sure that the top surface of both mounting shoes are free of bolts, screws or other obstructions.
2. Drive the tractor slowly and carefully in between the loader arms only far enough to permit hook-up of the hydraulic system hoses.
3. Once all hoses have been properly coupled, drive the tractor forward checking to insure that the bottom of each upright clears the mount shoes.
4. To allow the upright base to settle into the mount shoe, tip the bucket down slowly. After the upright contacts the shoe, engage the upright anchor bar into the rear of the shoe by driving the tractor ahead slowly.
5. To secure the loader, install the 661983 - 3/4" diameter pins. Tighten the 3/4" diameter bolt on the front of the upright to draw the upright to the rear of the shoe.
6. After both uprights are secured to the shoes, raise the loader slowly to disengage and store the loader stand.
7. Prior to operation, be certain to review all safety and operation information contained within this manual.

ATTACHING THE BUCKET

1. For pin on buckets, assemble pins and retaining bolts as shown in the Parts Diagram of this manual.

Make sure all retaining bolts are secure and lubricate necessary points. Inspect pin and bolts periodically for tightness and wear.

DETACHING THE LOADER



IMPORTANT:

Never attempt loader detachment on grades which are not reasonably level.



Fig. 1-1



Fig. 1-2

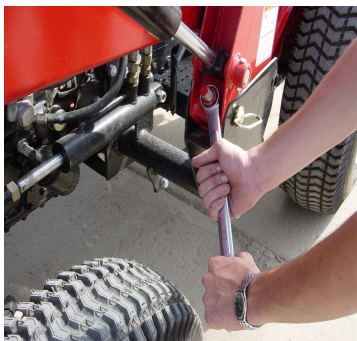


Fig. 1-3

1. Raise loader frame slightly to permit loader stands to be placed into the stand tubes (see Fig. 1-1) attached to the torque tube, then pined in place.
2. Lower loader until stands are firmly on the ground then rotate bucket forward until cutting edge contacts the ground (see Fig. 1-2).
NOTE: This will prevent the loader from inadvertently rocking forward when the attachment screws are removed.
3. Loosen the 3/4" bolt on the front of both uprights (see Fig.-3).

DETACHING THE LOADER CONTINUED

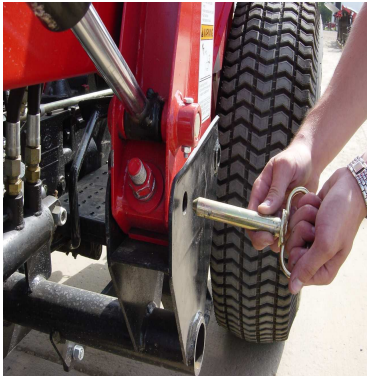


Fig. 1-4



Fig. 1-5



Fig. 1-6

4. Then remove the 661983 - 3/4" diameter locking pin (see Fig. 1-4).
5. Carefully, and very slowly, back out far enough to permit separation of the upright anchor (see Fig. 1-5), then rotate bucket back to lift uprights off rear mounts (Fig. 1-6).
NOTE: Should the loader move when tractor is backed up, try rotating the bucket up or down.
6. Before completely backing out, disconnect and store the loader system hydraulic hoses. It is important that the hoses be properly stored to keep the hose couplers as clean as possible.

IMPORTANT:

Never store the detached loader where insufficient soil bearing capacity exists. Good firm clay or firmly packed dirt are sufficient, providing the area is dry. If stability is in question, use blocking under the stand foot to disperse the load. Failure to heed, may allow the loader to settle and prevent attachment at a later date.

NOTE: Loader should be stored with the bucket rotated all the way back to assure maximum weight transfer.

WARNING:

Re-couple any hydraulic hose together for your particular hydraulic system when necessary to prevent damage to tractor hydraulics. See your particular mount or hydraulic hook-up instructions.



OPERATION



WARNING:

Never allow anyone to operate the loader until they have carefully reviewed and understood this owners manual.

FILLING THE BUCKET:

Approach and enter the pile with the bucket level.

Roll bucket back gradually as the loader moves through the pile.

RAISING THE BUCKET:



WARNING:

Make sure material in bucket cannot spill out on to tractor when loader boom is raised. Keep clear of overhead obstructions such as trees, limbs or power lines when raising the bucket.

Side cutting is the best method of reducing large stockpiles. If the sides of the pile are too high, use the loader to pull them down and reduce the possibility of slides.



WARNING:

NEVER attempt to operate the loader with someone near the loader frame or bucket.

SPECIFICATIONS

KOYKER 140 LOADER SPECIFICATIONS

Description of Equipment Rated

Loader Model.....	140
Bucket Size	4'
Rated Flow	5 GPM
Maximum Pressure	2200 PSI
Lift Cylinder Dia.....	1 3/4" Bore
Attachment Cylinder Dia.	1 3/4" Bore
Tractor Horsepower Range	15-30 HP

Dimensional Specifications

(A) *Maximum Lift Height to Pivot Pin.....	7' 10"
(B) *Lift Height under Level Bucket.....	7' 3"
(C) *Clearance with Bucket Fully Dumped.....	6' 1"
(D) *Reach at Maximum Lift Height.....	1' 10"
(E) Maximum Dump Angle	45°
(F) *Reach with Bucket on Ground.....	4' 1"
(G) Maximum Rollback Angle	23°
(H) *Digging Depth	4"
(J) *Overall Height in Carry Position	4' 8"

Operational Specifications

(U) *Lift Capacity to Maximum Height at Pivot Pin	1300 lbs.
(V) *Lift Capacity to Maximum Height 19.7" Forward of Pivot Pin.....	970 lbs.
(Y) *Breakout Force at Ground Line at Pivot Pin	1900 lbs.
(Z) *Breakout Force at Ground Line 19.7" Forward of Pivot Pin.....	1480 lbs.
*Raising Time	4.1 seconds
*Lower Time.....	2.8 seconds
*Attachment Dumping Time	2.8 seconds
*Attachment Rollback Time	4.1 seconds

*Specifications based on ASAE standards S301.3 (Front-End Agricultural Loader Ratings) The above information is based on testing done by Koyker Mfg. Variations in maximum lift height and other specs for different tractors are due to tire sizes, variations in loader mounting locations and hydraulic system efficiency.

Specifications are subject to change without notice and without liability therefore.

LOADER INSPECTION, LUBRICATION, AND MAINTENANCE

Lower the bucket to the ground, shut off tractor engine, and relieve the pressure in the hydraulic system before adjusting, lubricating, or servicing the loader.

Inspect all pins and grease fittings before each use and lubricate with heavy duty grease as indicated in this manual.

Periodically check all bolts for looseness and re-torque if necessary.

Before storage, be certain all hydraulic cylinders are fully collapsed so that the rod will not be exposed to the elements or damaged.

Be certain hydraulic system remains sealed at all times to prevent contamination.

Check and maintain an adequate fluid level in the tractor reservoir prior to use.

Inspect all hydraulic system hoses and fittings. Replace prior to further operation if damaged.



WARNING:

Escaping hydraulic oil under pressure can penetrate the skin. Never use any part of your body to check for hydraulic leaks. Use cardboard when checking for leaks. See Fig. 13-1. Relieve hydraulic pressure before disconnecting any hydraulic line. Failure to heed may result in serious injury or death.

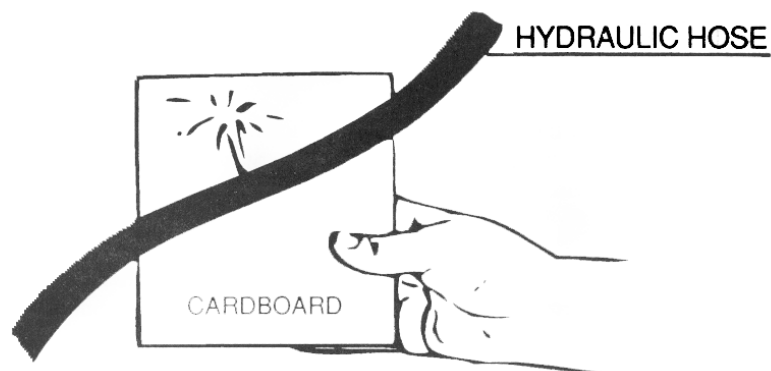


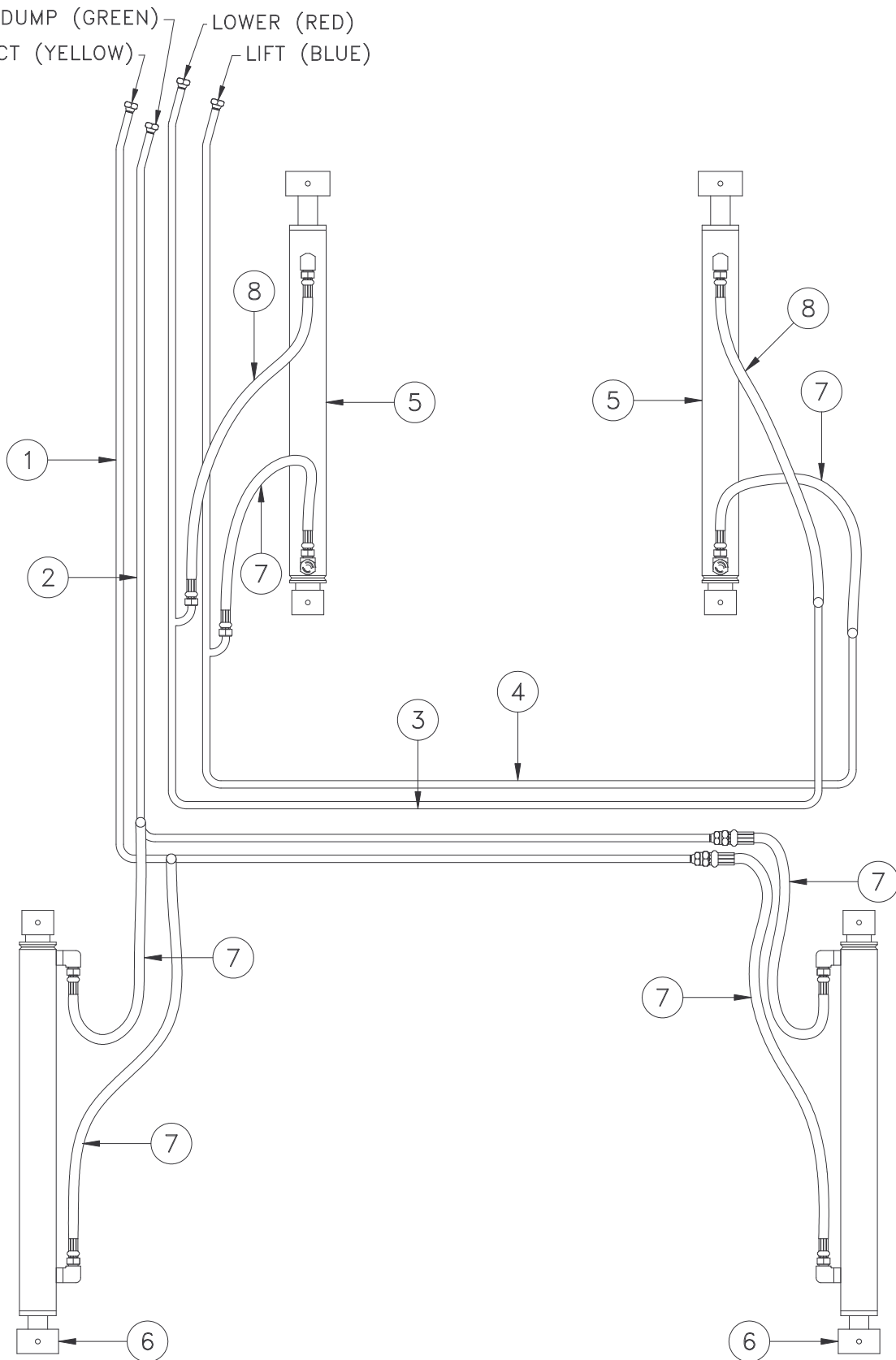
FIG. 13-1

HYDRAULIC SYSTEM PARTS SCHEDULE

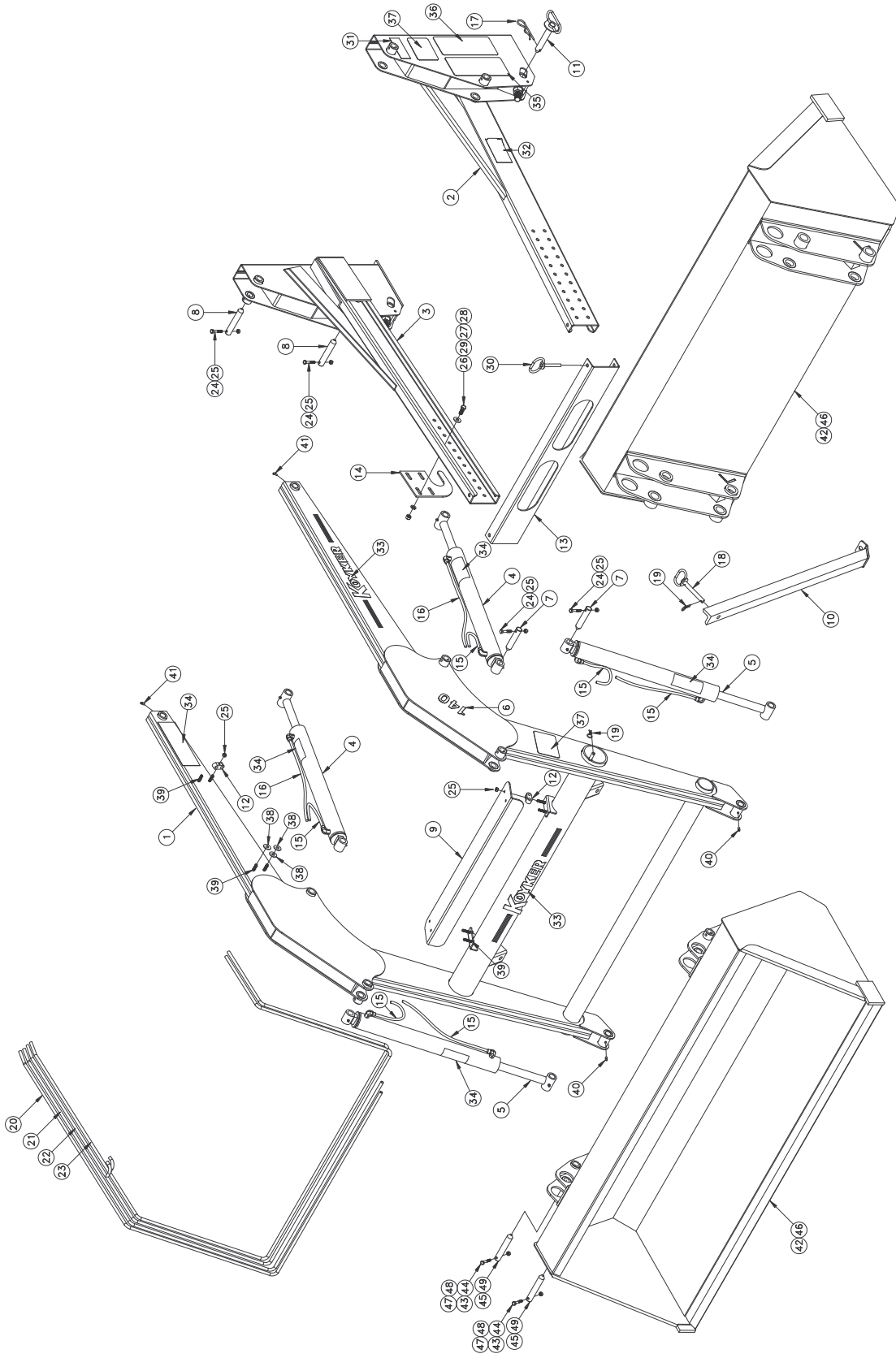
KEY	PART NUMBER	DESCRIPTION	QUANTITY
1.....	673606.....	1st Oil Line (Yellow).....	1
2.....	673607.....	2nd Oil Line (Green).....	1
3.....	673608.....	3rd Oil Line (Red).....	1
4.....	673609.....	4th Oil Line (Blue).....	1
5.....	673610.....	1 3/4" Lift Cylinder.....	2
6.....	673611.....	1 3/4" Bucket Cylinder	2
7.....	675249.....	14" Hydraulic Hose.....	6
8.....	675248.....	21" Hydraulic Hose.....	2

HYDRAULIC SYSTEM PARTS DIAGRAM

DUMP (GREEN)
RETRACT (YELLOW)
LOWER (RED)
LIFT (BLUE)



KOYKER "140" LOADER PARTS DIAGRAM



PARTS IDENTIFICATION SCHEDULE

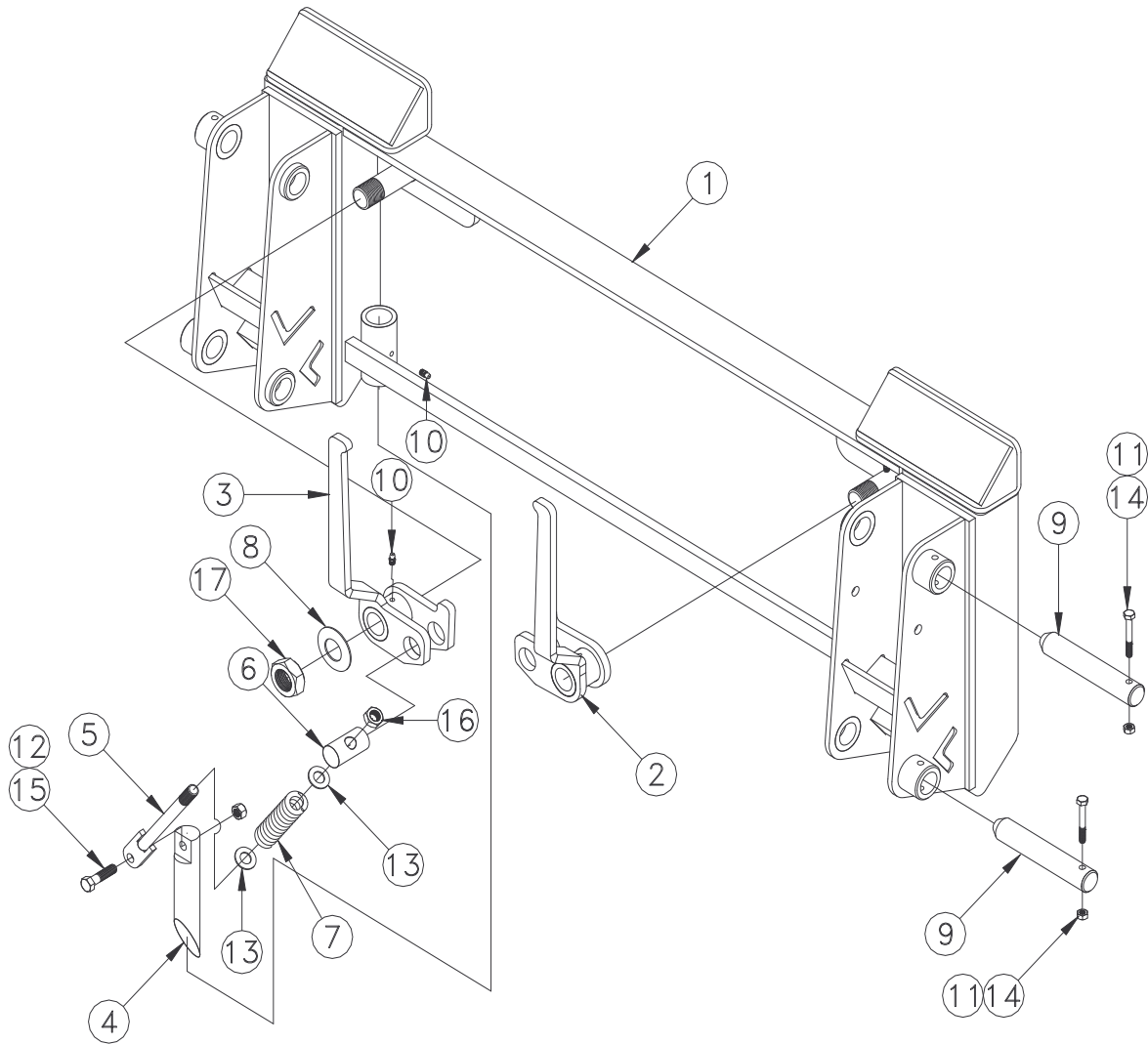
KEY	PART NUMBER	DESCRIPTION	QUANTITY
1	673600	Main Frame	1
2	673601	RH Upright	1
3	673602	LH Upright	1
4	673610	1 3/4" Lift Cylinder	2
5	673611	1 3/4" Bucket Cylinder	2
6	673605	"140" Decal	2
7	670005	3 3/4" Pivot Pin	4
8	670006	4 1/2" Pivot Pin	4
9	673604	Oil Line Cover	1
10	665816	Stand	2
11	661983	Mount Pin	2
12	653713	Oil Line Clamp	9
13	665705	Crossmember	1
14	662000	Wrap Arm Clip	2
15	675249	14" Hydraulic Hose	6
16	675248	21" Hydraulic Hose	2
17	640246	#6 Hitch Pin	2
18	641119	Lock Pin	2
19	640671	#3 Hitch Pin	4
20	673606	1st Oil Line	1
21	673607	2nd Oil Line	1
22	673608	3rd Oil Line	1
23	673609	4th Oil Line	1
24	640009	HH Cap Screw; 1/4" x 1 1/2"	8
25	640126	Locknut; 1/4"	17
26	640028	HH Cap Screw; 3/8" x 1"	8
27	640153	Lockwasher; 3/8"	8
28	640132	Hex nut; 3/8"	8
29	640154	Flatwasher; 3/8"	8
30	656515	T Pin W/Lynch Pin	2
31	666941	Serial Number Decal	1
32	654629	"American Made" Decal	2
33	654632	"KOYKER" Decal	3
34	666943	Warning Decal	5
35	666944	Warning Decal	1
36	666945	Danger Decal	1
37	666946	Warning Decal	4
38	640150	Flatwasher; 1/4"	3
39	673935	Insert; 1/4" Stud (Installed at Koyker Mfg.)	9
40	657632	Zerk; Straight 1/4"-28	2
41	658943	Zerk; 45 Degree 1/4"-28	2

PARTS IDENTIFICATION CONTINUED

Optional Buckets & Cylinders

KEY	PART NUMBER	DESCRIPTION	QUANTITY
	673694	4' Bucket Bundle	
42.....	673612.....	4' Bucket Weldment	1
43.....	640126.....	1/4" Locknut	4
44.....	670009.....	HH Cap Screw; 1/4" x 1 1/2"	4
45.....	670006.....	Pivot Pin.....	4
	673695	5' Bucket Bundle	
46.....	673613.....	5' Bucket Weldment	1
47.....	640126.....	1/4" Locknut	4
48.....	670009.....	HH Cap Screw; 1/4" x 2"	4
49.....	670006.....	Pivot Pin.....	4

KOYKER "140" SKID STEER ADAPTER DIAGRAM



PARTS IDENTIFICATION CONTINUED

Optional Skid Steer Buckets & Adapter

Key	Part Number	Description	Quantity
	675326	Skid Steer Bucket Adapter Bundle	
1.....	675325.....	140 SS Adapter	1
2.....	675309.....	RH Yoke	1
3.....	675311.....	LH Yoke.....	1
4.....	675316.....	Engagement Pin	2
5.....	675317.....	Hookup Pin	2
6.....	675322.....	Cross Pin	2
7.....	675323.....	Compression Spring.....	2
8.....	675324.....	Belleville Washer.....	2
9.....	670006.....	Pivot Pin.....	4
10.....	657632.....	Zerk	4
11.....	640009.....	HH Cap Screw; 1/4" x 1 1/2"	4
12.....	640034.....	HH Cap Screw; 3/8" x 1 1/2"	2
13.....	653098.....	Flatwasher; 1/2" N-Series	4
14.....	640126.....	Locknut; 1/4"	4
15.....	654121.....	Locknut; 3/8"	2
16.....	659885.....	Locknut; 1/2"- 20 (thin).....	2
17.....	661017.....	Locknut; 1"-14 (thin).....	2
.....	670320.....	4' Skid Steer Fast Attaching Bucket.....	1
.....	670321.....	5' Skid Steer Fast Attaching Bucket.....	1
.....	670322.....	6" Skid Steer Fast Attaching Bucket	1

HYDRAULIC CYLINDERS

INSPECTION AND MAINTENANCE:

Periodically check all hydraulic system connections to insure a leak-free condition. Also, be certain to maintain proper fluid levels in the tractor hydraulic system as in accordance with the method and frequency recommended in the tractor operator's manual.

Use only hydraulic fluids recommended for your tractor hydraulic system by the manufacturer. Recommended hydraulic fluid for operation of the loader is DTE Light Hydraulic Oil Viscosity 150 SUS at 100 Degrees F (SAE 10W).

Keep hydraulic system clean. Be certain to maintain recommended oil filter service intervals.

All internal surfaces of the hydraulic system on your loader have been factory cleaned, inspected, and plugged with protective caps prior to shipment. Be certain all protective caps are securely in place until hydraulic system assembly is completed.

Care must be taken with your loader cylinders. Nicks, scratches, rust or other shaft damage can cause seal damage resulting in cylinder leakage and poor performance.

IMPORTANT:

Read these service tips before beginning assembly of cylinder gland or piston.

1. Keep seals clean from the time they are removed from package until they are installed.
2. Clean the groove or bore into which the seal is to be fitted before installing the seal.
3. Never touch the seal lip in handling. Always pick up the seal by its outer member.
4. Inspect each seal lip carefully for nicks, scratches, and dirt at time of installation. If dirty, use a soft, clean cloth and carefully wipe off seal. **DO NOT** wipe seal with fingers as this only imbeds dirt in the seal.

NOTE:

Seals can be made more pliable and easier to install, if first heated in hydraulic oil to 160 degrees F. Never use direct heat on any seals.

IMPORTANT:

Never clean rubber related seals with a mineral based solvent! Clean rubber seals in denatured alcohol or non-mineral based solvents only.

1 3/4" CYLINDER SERVICE KITS

KIT NO. 663304:

Complete kit with all seals needed to service one (1) 1 3/4" Cylinder. Consists of:

1 each	1 3/4" Gland "O" Ring
1 each	1 3/4" Backup Ring
1 each	1" U-cup Rod Seal
1 each	1" Rod Wiper
2 each	1 3/4" U-cup Piston Seal
1 each	5/8" Rod "O" Ring
1 each	5/8" Locknut

KIT NO. 663305:

Complete assembled 1 3/4" Cylinder Gland with all seals. Consists of:

1 each	1 3/4" Aluminum Gland
1 each	1 3/4" Gland "O" Ring
1 each	1 3/4" Backup Ring
1 each	1" U-cup Rod Seal
1 each	1" Rod Wiper
1 each	5/8" Locknut

KIT NO. 663306:

Complete assembled 1 3/4" Cylinder Piston with all seals. Consists of:

1 each	1 3/4" Aluminum Piston
2 each	1 3/4" U-cup Piston Seal
1 each	5/8" Rod "O" Ring
1 each	5/8" Locknut

KIT NO. 663307:

All seals needed to service one (1) 1 3/4" Cylinder Gland. Consists of:

1 each	1 3/4" Gland "O" Ring
1 each	1 3/4" Backup Ring
1 each	1" U-cup Rod Seal
1 each	1" Rod Wiper
1 each	5/8" Locknut

KIT NO. 663308:

All seals needed to service one (1) 1 3/4" Cylinder Piston. Consists of:

2 each	1 3/4" U-cup Piston Seal
1 each	5/8" Rod "O" Ring
1 each	5/8" Locknut

HYDRAULIC CYLINDER PARTS LIST

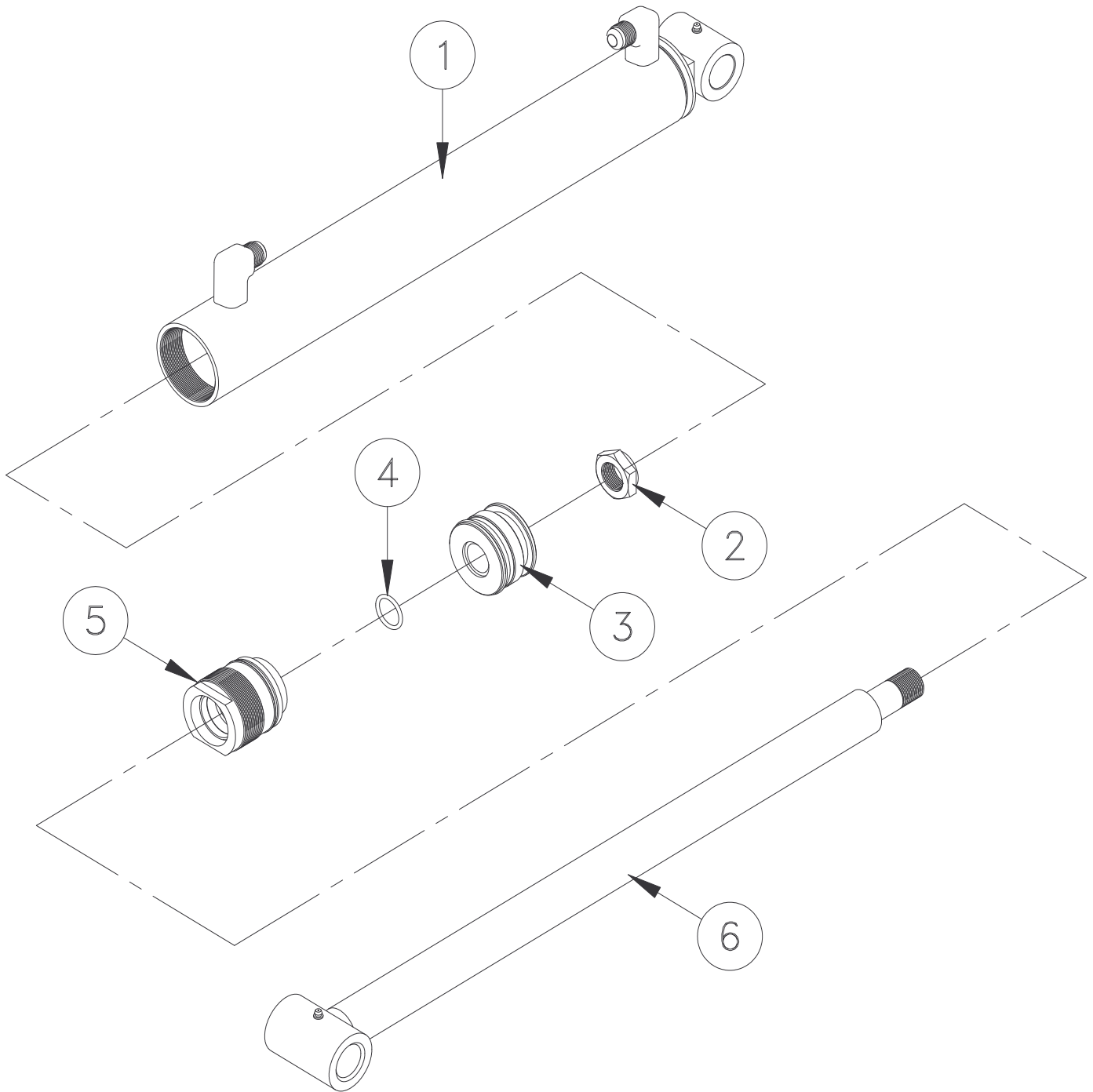
LIFT CYLINDER (Part No. 673610):

1	673646	Tube Weldment	1
2	669994	5/8" Locknut	1
3	655004	Piston Assembly	1
4	655023	5/8" "O" Ring	1
5	655003	Gland Assembly	1
6	673647	Rod Weldment	1
-		Seal Kit	1

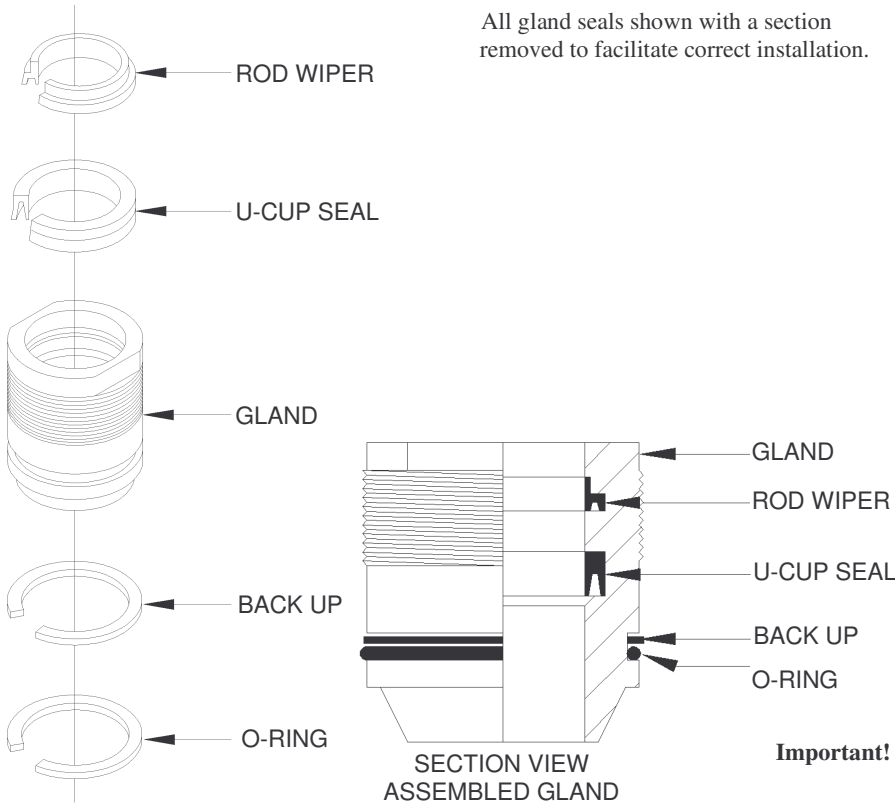
BUCKET CYLINDER (Part No. 673611):

1	673648	Tube Weldment	1
2	669994	5/8" Locknut	1
3	655004	Piston Assembly	1
4	655023	5/8" "O" Ring	1
5	655003	Gland Assembly	1
6	673649	Rod Weldment	1
-		Seal Kit	1

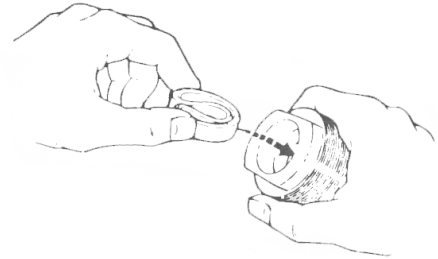
HYDRAULIC CYLINDER PARTS DIAGRAM



CYLINDER GLAND SERVICE DIAGRAM



Note: To install rod wiper and U-cup seal, fold similar to shape shown below, slip into gland bore and locate each in its respective groove. Tools are used to fold seals, take care not to damage sealing surfaces.

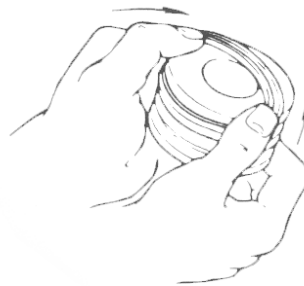
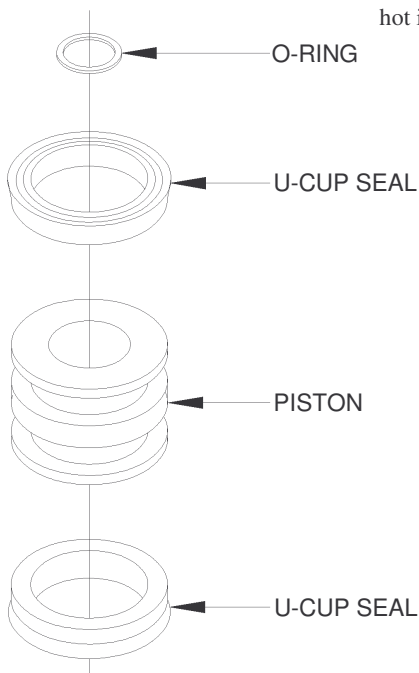


Important! Be sure all gland and piston seals have been installed correctly before cylinder is assembled!

CYLINDER PISTON SERVICE DIAGRAM

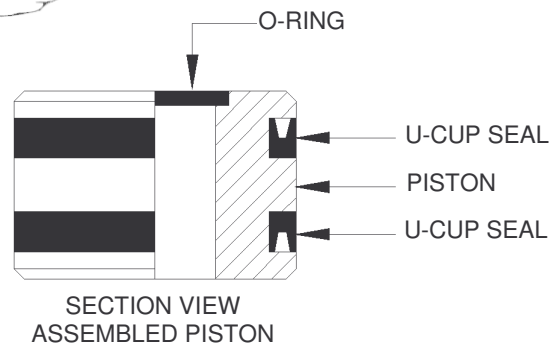
To Remove Seals:

Carefully cut across each seal with a sharp knife. Be sure not to scratch sealing surfaces of aluminum piston. If a sharp knife is not available. An electric soldering gun or hot iron may be used to melt throughout seals.



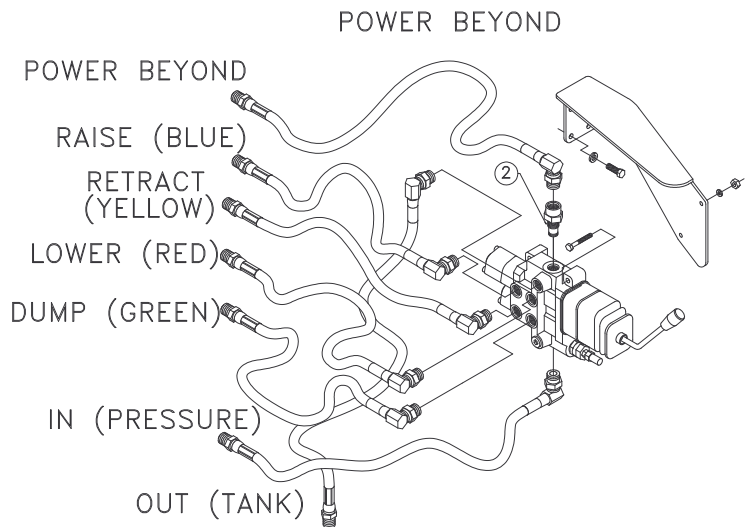
To Install Seals:

1. Thoroughly clean piston sealing surface of all foreign matter.
2. Heat new seals in hydraulic oil to 160° F. Never use a direct flame or heated water on hydraulic seals.
3. Remove seals from oil, wipe dry and install in piston grooves as shown in illustration at left. Be sure seals have completely seated in piston grooves before allowed to cool.
4. Replace piston on cylinder shaft and assemble cylinder when seals have cooled to room temperature.

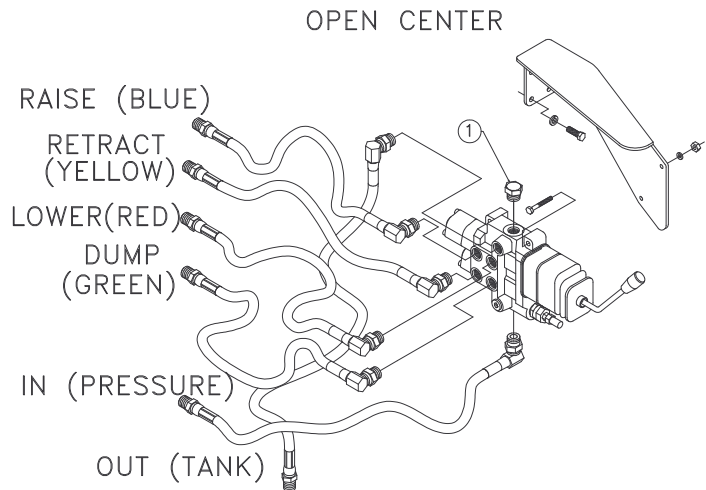


DINOIL VALVE HOOKUP

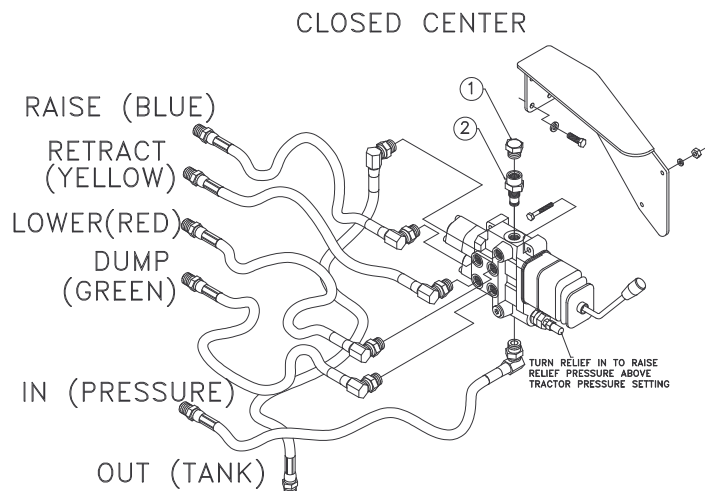
NOTE: Valve normally shipped open center. Part No. #673010 W/Joystick



For closed center applications item one (655445) is replaced by item two (673097) and item one is installed in item two.



For power beyond applications item one (673096) plug, must be removed and item two (673097) power beyond sleeve must be added.



LIMITED WARRANTY

Thank you for purchasing a quality product from Koyker Manufacturing Company (Koyker). Your satisfaction with Koyker's products is very important to us. This manual will help you understand the function, service intervals, and warranty of your new Koyker product(s). It is the retail customer's responsibility to inspect the Koyker product(s) or part(s) before using. Before operating or allowing anyone to operate a Koyker product, please take time to read the manual thoroughly. Failure to do so may result in injury or death and is considered misuse. If your manual has been lost or destroyed, please contact Koyker at (800) 456-1107 or (605) 647-2811 for a new copy.

Koyker Manufacturing Company **Limited Warranty**

Koyker warrants to the retail customer of any new Koyker product, purchased from an authorized Koyker dealer, that the product manufactured by Koyker is free from defects in material and workmanship. This warranty is limited to one (1) year from the date of retail sale to the retail customer for all non-commercial, state, county, or city use. A six (6) month period from the date of retail sale to the retail customer is warranted for all commercial use.

Koyker reserves the right to inspect any products or parts which are claimed to be defective, have defective material, or have less than satisfactory workmanship before Koyker repairs or replaces any products or parts. A retail customer must notify Koyker of a claim by registered or certified mail, return receipt requested, within 30 days after discovery of a problem, or the claim shall be deemed waived. Defective products or parts must be returned to the Koyker factory, at the customer's expense, for inspection by Koyker. Koyker's obligation is limited to repairing or replacing, at its factory, any part or component it determines is defective. Koyker's replacement parts are manufactured with the same precision and skill as its original equipment. All warranted or replacement parts purchased or provided by Koyker will have, at a minimum, a 90-day warranty from the date of installation. If the expiration of the original warranty on a new Koyker product is longer than 90 days, the warranted parts will be covered until the original, new product warranty expiration date.

All cylinder claims shall be handled through Koyker's dealers or distributors. All hydraulic cylinders are thoroughly inspected before shipment from the Koyker factory. Therefore, no claim may be granted where a cylinder has been damaged or abused (including, but not limited to, bent tubes, dents, nicks, abused threads, attempted alterations, or welding), or unless the claim is made to Koyker within one (1) year from the sale to the original purchaser.

Any defective cylinder reported to Koyker within one (1) year from the sale by the dealer to the original purchaser may be repaired or replaced after Koyker's inspection and approval. In such case, notify a Koyker dealer for proper instructions. If after inspection, Koyker finds that the cylinder is not defective and has been abused or otherwise damaged, any transportation charges shall be paid by the original purchaser immediately after receiving notification of Koyker's inspection results.

LIMITED WARRANTY

Cylinders requiring factory repair more than one (1) year after sale to an original purchaser shall be given to a Koyker dealer for return to Koyker with transportation charges prepaid by the purchaser. The purchaser shall be responsible for all service and repair charges. Leaks around the shaft seal and internal bypass leaks may be field repaired. Service kits are available for those repairs.

Warranty Limitations and Exclusions.

THE WARRANTIES SET FORTH ABOVE ARE EXCLUSIVE AND ARE IN LIEU OF, AND PURCHASER HEREBY WAIVES, ALL OTHER CONDITIONS, REPRESENTATIONS AND WARRANTIES, EXPRESS OR IMPLIED BY STATUTE, USAGE, CUSTOM OF TRADE OR OTHERWISE, INCLUDING, WITHOUT LIMITATION, THE IMPLIED WARRANTIES OF MERCHANTABILITY AND FITNESS FOR A PARTICULAR PURPOSE. NOTWITHSTANDING ANY OTHER OR PRIOR STATEMENT, WRITTEN OR ORAL, KOYKER MAKES NO OTHER WARRANTIES REGARDING THE QUALITY OF THE PRODUCTS OR THE MATERIALS CONTEMPLATED HEREUNDER.

No warranty is given by Koyker for parts, components, or trade accessories furnished by Koyker but not manufactured by it. Those items are covered by the warranty of their manufacturer, if any. No person, firm, or corporation, including the selling dealer, is authorized to assume for Koyker any other liability in connection with the sale of these goods.

KOYKER SHALL NOT BE LIABLE FOR INDIRECT, SPECIAL, INCIDENTAL, CONSEQUENTIAL OR PUNITIVE DAMAGES DIRECTLY OR INDIRECTLY ARISING FROM THE DESIGN, CONSTRUCTION, INSTALLATION, MANUFACTURE, OR USE OF KOYKER'S PRODUCTS, PARTS, COMPONENTS, OR TRADE ACCESSORIES. Such incidental and consequential damages shall include, but not be limited to: non-associated taxes or duties; charges for normal maintenance or service; loss of crops, property damage, or any other income loss; freight charges, other than normal freight charges associated with Koyker products or parts; other installation charges not approved by Koyker; rental charges of any substitute equipment; expenses due to lost, damaged, or delayed products or parts resulting from acts beyond the control of Koyker; and personal injury or death of operator or bystanders by misappropriated use of Koyker products or parts.

A user shall notify Koyker in writing within 30 days of any accident or occurrence involving Koyker products resulting in personal injury or property damage and shall cooperate fully with Koyker in investigating and determining the cause of such accident or occurrence. In the event that a user fails to give such notice to Koyker and so cooperate, such user agrees to indemnify and hold Koyker harmless from all loss or damage arising from such accident or occurrence.

LIMITED WARRANTY

Among other conditions, Koyker's warranty will not apply:

1. Products or parts that are subject to misuse, abuse, and/or negligence.
2. For surface wear, scheduled maintenance parts, and other items that Koyker deems expendable.
3. If products or parts not manufactured by Koyker or approved by Koyker are connected to or used in conjunction with the Koyker products or parts and if Koyker deems the non-Koyker products or parts affect the performance, safety, reliability, or life of the Koyker products or parts.
4. If products or parts sold by, but not manufactured by Koyker, have their own vendor warranties.

Koyker reserves the right to implement new designs for the continual improvement of their products. These product improvements will be ongoing, and Koyker will not be responsible for incurring cost or obligation for installations or upgrades to previously sold products.

No employee or representative of Koyker may change or amend any part of this limited warranty or make exceptions to this limited warranty, unless such changes are made in writing by Koyker's legal counsel.

All goods being returned to the Koyker factory must have a Returned Goods Authorization (RGA) number from Koyker. To obtain an RGA number, call (800) 456-1107 or e-mail Koyker at koyker@koykermfg.com.

Returned parts will not be accepted without an RGA number written on the outside of the box of the returned goods. 30 days are allowed for shipping, from the day the RGA number was issued by Koyker. If the return item(s) is not received into the Koyker system within 30 days, no credit will be issued. Upon request only, a second RGA number will be issued and an additional 30 days may be allowed. No credit will be issued if the return item(s) are not received into the Koyker system 30 days after the second RGA number was issued.

Should you require additional information or assistance, please contact Koyker Manufacturing Company at (800) 456-1107, (605) 647-2811, or e-mail Koyker at koyker@koykermfg.com.

TORQUE SPECIFICATIONS

1. Tightening Bolts & Nuts

Check all loader bolts and nuts for tightness every 50 working hours. The movement of the loader over rough terrain may cause bolts to come under pressure and over a long period of time some slight stretching of the bolt may occur. The slack created may need to be taken up by tightening. Please refer below for recommended torque settings.

Metric Recommended Torque Settings

Size	Class 8.8				Class 10.9			
	Lubricated		Dry		Lubricated		Dry	
	N*m	Lb-ft	N*m	Lb-ft	N*m	Lb-ft	N*m	Lb-ft
M6.....	9	6.5	11	8.5.....	13	9.5	17	12
M8.....	22	16	28	20.....	32	24	40	30
M10.....	43	32	55	40.....	63	47	80	60
M12.....	75	55	95	70.....	110	80	140	105
M14.....	120	88	150	110.....	175	130	225	165
M16.....	190	140	240	175.....	275	200	350	225
M18.....	260	195	330	250.....	375	275	475	350
M20.....	375	275	475	350.....	530	400	675	500
M22.....	510	375	650	475.....	725	540	925	675
M24.....	650	475	825	600.....	925	675	1150	850
M27.....	950	700	1200	875.....	1350	1000	1700	1250
M30.....	1300	950	1650	1200.....	1850	1350	2300	1700
M33.....	1750	1300	2200	1650.....	2500	1850	3150	2350
M36.....	2250	1650	2850	2100.....	3200	2350	4050	3000

SAE Recommended Torque Settings

Size	Grade 5				Grade 8			
	Lubricated		Dry		Lubricated		Dry	
	N*m	Lb-ft	N*m	Lb-ft	N*m	Lb-ft	N*m	Lb-ft
1/4.....	9.5	7	12	9.....	13.5	10	17	12.5
5/16.....	20	15	25	18.....	28	21	35	26
3/8.....	35	26	44	33.....	50	36	63	46
7/16.....	55	41	70	52.....	80	58	100	75
1/2.....	85	63	110	80.....	120	90	150	115
9/16.....	125	90	155	115.....	175	130	225	160
5/8.....	170	125	215	160.....	215	160	300	225
3/4.....	300	225	375	280.....	425	310	550	400
7/8.....	490	360	625	450.....	700	500	875	650
1.....	725	540	925	675.....	1050	750	1300	975
1-1/8.....	900	675	1150	1200.....	2050	1500	2600	1950
1-3/8.....	1700	1250	2150	1550.....	2700	2000	3400	2550
1-1/2.....	2250	1650	2850	2100.....	3600	2650	4550	3350



DO NOT use these values if a different torque value or tightening procedure is given for a specific application. Torque values listed are for general use only and include a +/- 10% variance. Check tightness of fasteners periodically. DO NOT use air powered wrenches. Shear bolts are designed to fail under predetermined loads. Always replace shear bolts with identical grade.