

OWNERS MANUAL

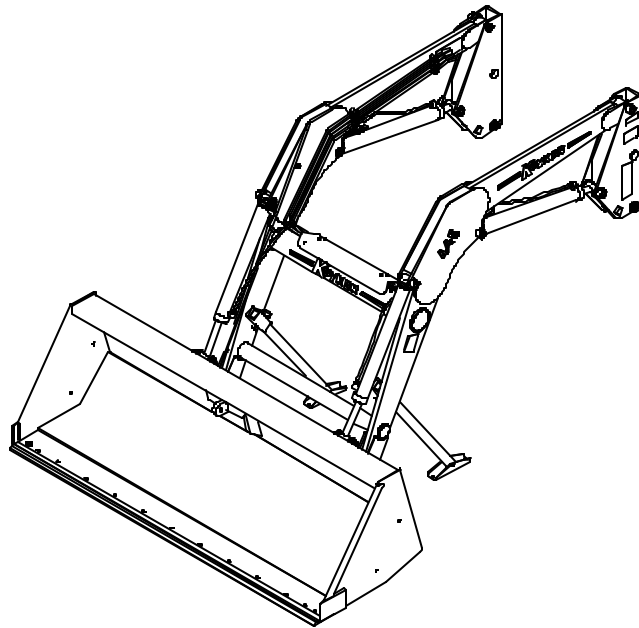
MANUAL NO. 674094

10/25/05

KOYKER[®]

445

LOADER



**IMPORTANT-KOYKER DEALER
BE SURE THIS MANUAL IS GIVEN TO THE
PURCHASER FOR FUTURE REFERENCE
KOYKER MANUFACTURING CO., P.O. BOX 409
LENNOX, SD 57039**

Phone 1-800-456-1107 E-mail koyker@koykermfg.com

CONTENTS

| CONTENTS | PAGE |
|---|-------------|
| Introduction..... | 1 |
| SAFETY INFORMATION | |
| Safety Alert Symbol..... | 2 |
| Safety Information | 3-5 |
| Safety Decals | 6 |
| Tractor & Safety Pointers | 7 |
| ASSEMBLY INSTRUCTIONS | |
| Attaching Loader..... | 8 |
| Attaching Bucket..... | 9 |
| Detaching Loader | 10 |
| OPERATING INSTRUCTIONS | |
| Operation..... | 11 |
| SERVICE AND MAINTENANCE | |
| Specifications | 12 |
| Loader Inspection, Service, and Maintenance | 13 |
| Hydraulic System Parts List..... | 14 |
| Hydraulic System Parts Diagram..... | 15 |
| “445” Loader Parts Diagram..... | 16 |
| Parts Identification Schedule | 17-18 |
| Bucket Parts Diagram | 19 |
| Bucket Parts Identification Schedule | 20 |
| Hydraulic Cylinder Information..... | 21 |
| Hydraulics Information..... | 22 |
| 2 3/4” Cylinder Service Kit | 23 |
| Hydraulic Cylinder Parts List | 24 |
| Hydraulic Cylinder Parts Diagram..... | 25 |
| Piston and Gland Diagram | 26 |
| LIMITED WARRANTY INFORMATION | |
| Limited Warranty..... | 27-29 |
| TORQUE SPECIFICATIONS | |
| Torque Specifications | 30 |

INTRODUCTION

During a considerable period of time, Koyker Manufacturing Company of Lennox, South Dakota, made a study of the farm loader industry and concluded that the farmer needs a loader that provides fast attachment, quality, dependability, few parts, ruggedness, good delivery, and ease of maintenance, all at a fair price. The fast attaching "445" Farm Loader has achieved these goals. With proper care and handling, it will give many years of good service in normal farm operations.

Please be sure to follow the manual and give it proper care.

TO THE PURCHASER

You have purchased an excellent product. With proper care and use, it will give you years of good safe service. Use only **KOYKER** or **KOYKER** approved parts in the general maintenance and repair of your equipment. **Please fill out ownership registration card as soon as possible.**

Should you have any questions, comments, improvements, or suggestions regarding the contents of any of the manuals provided, please contact Koyker Manufacturing Company. (800-456-1107 or E-mail koyker@koykermfg.com)

We care about your safety!

Remember ALL safety decals are no charge from the factory. Please replace all safety decals if missing or damaged. Your safety is important to us.

SAFETY ALERT SYMBOL

The symbol shown below is used to call your attention to instructions concerning your personal safety. Watch for this symbol it points out important safety precautions. It means **ATTENTION! Become Alert! Your Personal Safety Is Involved!**

Read the message that follows and be alert to the possibility of personal injury or death.

DANGER: Indicates an imminently hazardous situation that, if not avoided, will result in death or serious injury.

WARNING: Indicates a potentially hazardous situation that, if not avoided, could result in death or serious injury.

CAUTION: Indicates a potentially hazardous situation that, if not avoided may result in minor or moderate injury.



WARNING!

Anyone who will operate or work around a front-end loader should first read this manual.

SAFETY

Improper use of a loader can cause serious injury or death. The following safety precautions, and those given on the tractor mount installation instructions, should be thoroughly understood before attempting to operate this machine.

BEFORE OPERATING:

Carefully study and understand this manual, the specific tractor mount instructions, and the attachment(s) manual(s).

Prior to operation, inspect the loader for system leaks and damaged, missing, or malfunctioning components in an effort to avoid the possibility of a dangerous failure involving structural members or hydraulic system components.

Be certain any repairs necessary are completed prior to loader operation.

Follow recommended maintenance procedures and precautions on Page 13.

Completely familiarize yourself and others involved with the operation of the hydraulic control valve before operating the loader.

Be certain all bystanders are clear of the machine and operation area prior to operation.

It may be necessary to add wheel ballast or rear weights as recommended by the tractor manufacturer to maintain stability of the machine to prevent tipping or upset which could result in serious injury or death. See mounting instructions for specific information.

It is recommended that both front and rear wheel treads be set to the widest recommended width to prevent tipping or upset which could result in serious injury or death.

This loader is designed for farm type operations such as snow removal, barn and feedlot cleaning, light commercial or light grading and digging. It's design is **NOT** intended for industrial use.

DURING OPERATION:

Never operate the machine other than from the tractor operator's seat.

Be sure operating area is clear of others during machine operations.

Never lift, hoist, or carry humans in the bucket or on any portion of the loader or loader attachments. Failure to heed, may result in serious injury or death.

SAFETY CONTINUED

Transport the machine load at the slowest speed possible and with the loader boom at the lowest transport position to avoid tipping or upsetting, which may result in serious injury or death.

Be extremely careful when working on inclines or near loose fill, rocks, and holes as they can cause tipping or upsetting which may result in serious injury or death.

Be certain to avoid overhead electrical wires when operating loader. Contact with power lines may cause serious injury or death.

Avoid sudden stops when lowering or lifting the loader boom to prevent loss of control over the machine and/or load, which may result in serious injury or death.

Use maximum ballast and the widest recommended wheel setting on your tractor when handling large shiftable loads.

Never attempt to ram with the bucket at high speed or full tractor power. Sudden impact may result in structural failure and possible serious injury or death.

Never adjust or perform maintenance on the loader or tractor with the unit in motion, or without power source locked out.

Never get under bucket or lift arms or reach through the lift arms or bucket linkage when the loader is in operation. Inadvertent movement may cause serious injury or death.

FOLLOWING OPERATION:

Whenever the machine is not in operation, lower the loader boom and set the tractor brakes, disengage drive, shut the engine off, and remove the ignition key before dismounting the tractor.

If loader is to be disengaged from tractor, be sure the loader is securely supported on a hard, level surface and the stand is securely engaged. Be certain all connections between tractor and loader are free before disengaging.

TRANSPORTING:

Use safety lights and SMV emblem in addition to whatever local codes require when equipment is being transported on the road or highway. Check with proper authorities for legal limitations.

Transport all loads at a slow and safe speed.

Carry the load as low as possible and maintain adequate visibility and good round clearance at all times.

SAFETY CONTINUED

PERFORMING MAINTENANCE:

Carefully review, understand, and follow the “maintenance” section in this owners manual before attempting to service loader.

Lower the bucket or attachment to the ground, shut off tractor engine, and relieve pressure in the hydraulic system before adjusting, lubricating, or servicing the loader.

Escaping hydraulic oil under pressure can penetrate the skin. Never use any part of your body to check for hydraulic leaks. Use cardboard when checking for leaks. See Fig. 5-1. Relieve hydraulic pressure before disconnecting any hydraulic line. Failure to heed may result in serious injury or death.

Before disconnecting hydraulic lines, lower the loader and attachments. Lock out the hydraulic supply and relieve all hydraulic pressure.

Replace any damaged or painted-over decals. See Page 6 for replacement decals.

REMEMBER:

1. Move Slowly!
2. Always use care and common sense!
3. Be careful for your own sake and for that of others!
4. Koyker Mfg. Co. includes all reasonable means for accident prevention except a safe and careful operator.

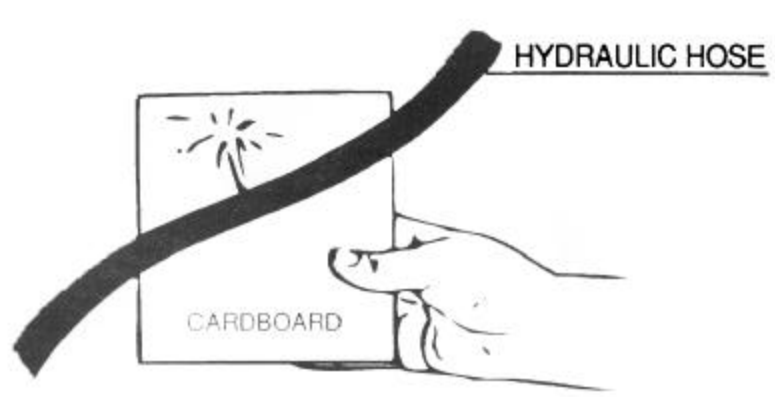



FIG. 5-1

SAFETY DECALS

| | |
|---|---|
|  | <h2 style="background-color: orange; color: black; padding: 5px;">⚠ WARNING</h2> <p>HIGH-PRESSURE FLUID HAZARD</p> <p>To prevent serious injury or death:</p> <ul style="list-style-type: none"> • Relieve pressure on hydraulic system before servicing or disconnecting hoses. • Wear proper hand and eye protection when searching for leaks. Use wood or cardboard instead of hands. • Keep all components in good repair. • Refer to owners manual if injury should occur. <p style="text-align: right; font-size: small;">666943</p> |
|---|---|

| |
|---|
| <h2 style="background-color: orange; color: black; padding: 5px;">⚠ WARNING</h2> |
|  |
| <p>To avoid injury or death caused by falling loads:</p> <ul style="list-style-type: none"> • Do not handle round bales unless loader is equipped with approved bale handling attachments. • Handle raised loads with caution • Carry load low • Read operators manual |
| <h2 style="background-color: orange; color: black; padding: 5px;">⚠ WARNING</h2> |
|  |
| <p>To avoid injury from falls:</p> <ul style="list-style-type: none"> • Do not work from or allow riders on loaders or its attachments <p>KOYKER MFG CO. INCLUDES ALL REASONABLE MEANS FOR ACCIDENT PREVENTION EXCEPT A SAFE AND CAREFUL OPERATOR.</p> <p style="text-align: right; font-size: x-small;">666944</p> |

| |
|--|
| <h2 style="background-color: orange; color: black; padding: 5px;">⚠ WARNING</h2> |
|  |
| <p>To avoid injury from falling loader:</p> <ul style="list-style-type: none"> • Do not walk or perform service under a raised loader. • Lower loader to ground when parked. <p>KOYKER MFG CO. INCLUDES ALL REASONABLE MEANS FOR ACCIDENT PREVENTION EXCEPT A SAFE AND CAREFUL OPERATOR.</p> <p style="text-align: right; font-size: x-small;">666946</p> |

| |
|--|
| <h2 style="background-color: red; color: white; padding: 5px;">⚠ DANGER</h2> |
|  |
| <p>Serious injury or death can result from rollovers.</p> <ul style="list-style-type: none"> • Use rops and seatbelt at all times. • Add required rear ballast. • Move wheels to widest recommended setting. • Operate tractor at low seeds. • Carry all loads close to ground. |
| <h2 style="background-color: red; color: white; padding: 5px;">⚠ DANGER</h2> |
|  |
| <p>Serious injury or death can result from contact with electric lines.</p> <p>KOYKER MFG CO. INCLUDES ALL REASONABLE MEANS FOR ACCIDENT PREVENTION EXCEPT A SAFE AND CAREFUL OPERATOR.</p> <p style="text-align: right; font-size: x-small;">666945</p> |

TRACTOR & SAFETY POINTERS

The use of good judgment and common sense is necessary by the operator in using this loader. The front and rear wheels should be set for the widest wheel tread to assure best stability. Use extra caution when rear wheel weights and tire ballast are added to a loader-equipped tractor. **DO NOT** ram into frozen dirt piles, frozen manure piles, ice, etc., with great momentum where sudden shock loads are encountered. Serious and costly damage may result to both the loader and the tractor.

When scraping or back dragging do not extend the attachment cylinders more than one half of the cylinder's stroke. A limited amount of leveling may be done, when the loader valving is arranged with a float control. This will prevent damage to cylinder rods. Never ride in the bucket.

Before operating the loader, be sure no one is standing near it. Only one person, the operator, should be on the tractor. Remain at the controls and under no circumstances leave the tractor unattended with the bucket in a raised position.

Never lift a person in the bucket or walk under a raised bucket.

Never drive your loader-equipped tractor down a hill that is steeper than 15 degrees. Carry all loads low and use care on side hills.

Always keep unused PTO shaft clutch levers disengaged.

Keep hands, feet, and clothing away from all moving parts.

Hydraulic oil, under pressure, can cause injury. Be sure that all connections are tight and that all pressure is relieved before disconnecting any lines.

Care must be taken with your loader cylinders. Nicks, scratches, rust, or other shaft damage can result in worn packing causing cylinder leakage and subnormal performance.

MOVE SLOWLY

USE COMMON SENSE

BE CAREFUL FOR YOUR OWN SAKE AND THAT OF OTHER PEOPLE

ATTACHING LOADER



IMPORTANT:

Never attempt loader attachment on grades which are not reasonably level.



Fig 8-1



Fig 8-2



Fig 8-3



Fig 8-4



Fig 8-5



Fig 8-6



Fig 8-7

1. Check to be sure that the surfaces of the mounts are free of obstructions. (Fig 8-1)
2. Drive the tractor slowly and carefully in between the loader arms only far enough to permit hook-up of the hydraulic system hoses. (Fig. 8-2)
3. Once all hoses have been properly coupled drive the tractor forward checking to insure that the top pivot shaft on each loader upright clears the top cradle on each mount tower. (Fig. 8-3)
4. Allow the top pivot shaft to settle into the cradle on the top of each mount tower. After the uprights slide into the mount raise the loader slowly to engage firmly into the mount cradles. (Fig. 8-4)
5. To lock the loader onto the mount, install the two 659514 – 1 1/8” diameter mount pins into the outside of the upright through the mount tightener, and pin with hitch pin on other side. (Fig. 8-5)
6. To secure the loader to the mount tighten the 7/8” bolt at the back of the mount tower. (Fig. 8-6) Re-check bolts after first three hours of use.
7. After both uprights are secured to the mounts, raise the loader still further to disengage and store the loader stands in the torque tube of the loader frame. (Fig 8-7)
8. Prior to operation, be certain to review all safety and operation information contained within this manual. Check bolts on back of mount or the first 3 hours of use, then check periodically during normal maintenance procedure.

ATTACHING THE BUCKET

1. For Fast Attach Buckets, first tilt the bucket adapter forward so the top round pipe slides into the receiver on the bucket (Fig. 9-1). Rotate the bucket back so the two rear pins line up with the holes on the base plates of the bucket (Fig. 9-2). Turn both pins on bucket adapter so they drop through the holes in the base plate of the bucket (Fig. 9-3). Put #6 hitch pin in place (Fig 9-4).



Fig. 9-1



Fig. 9-2



Fig. 9-3



Fig. 9-4

DETACHING LOADER



IMPORTANT:

Never attempt loader attachment on grades which are not reasonably level.



Fig 10-1

1. Raise loader frame slightly to permit loader stand reengagement. (Fig. 10-1)

2. Lower bucket to ground and tip slightly forward to apply pressure to mount connection. Note: This will prevent the loader from inadvertently rocking forward when the mount pins are removed and uprights are disengaged from it's cradle. (Fig. 10-2)

3. Loosen the 7/8" bolt at the back of the mount enough to permit the removal of the mount pins. (Fig. 10-3)

4. Use the lift cylinders to disengage the bottom anchor bar from the mount tower. Then tilt the bucket back to rotate the top of the upright up and out of the cradle, and into a storage position. (Fig. 10-4)

5. Before completely backing out, disconnect and store the loader system hydraulic hoses. It is important that the hoses be properly stored to keep the hose couplers as clean as possible. (Fig. 10-5)



Fig 10-2

IMPORTANT:

Never store the detached loader where insufficient soil bearing capacity exists. Good firm clay or firmly packed dirt are sufficient, providing the area is dry. If you are unsure, use blocking under the stand foot to disperse the load. Failure to heed, may allow the loader to settle and prevent attachment at later date.



Fig 10-3



Fig 10-4



Fig 10-5

OPERATION



WARNING:

Never allow anyone to operate the loader until they have carefully reviewed and understood this owners manual.

FILLING THE BUCKET:

When manure is piled on a slope, it is best to drive tractor up the slope straight into the pile. Operating sideways on a slope has a tendency to tip the loading unit. Drive tractor straight into the pile, raise the bucket about six inches, then drop bucket and drive forward until the bucket is filled. Tilt bucket completely back, raise main frame and back away from manure pile.

DUMPING THE BUCKET:

When dumping, bring the bucket to proper dumping height which is just high enough so it will not strike the spreader as the load is being dumped. With the bucket tipped, drive tractor forward and raise the bucket at the same time to distribute the load evenly into spreader or conveyance.

RAISING THE BUCKET:



WARNING:

Make sure material in bucket cannot spill out on to tractor when loader boom is raised. Keep clear of overhead obstructions such as trees, limbs or power lines when raising the bucket.

Side cutting is the best method of reducing large stockpiles. If the sides of the pile are too high, use the loader to pull them down and reduce the possibility of slides.

Make sure you keep all lines, cylinders, and complete hydraulic system free of all sand, dirt, and foreign matter. Use only clean oil in the hydraulic system. When removing the loader from the tractor, be sure to plug all open ports. If the loader will be out of service for several days or longer, grease the exposed polished piston shafts on the bucket and the lift cylinders.

WARNING:



NEVER attempt to operate the loader with someone near the loader frame or bucket.

If this loader is equipped with a Grapple fork, be sure Grapple teeth are closed before leaving seat of tractor.

SPECIFICATIONS

KOYKER 445 LOADER SPECIFICATIONS

Description of Equipment Rated

| | |
|---------------------------------------|-------------|
| Loader Model..... | 445 |
| Attachment Adapter & Bucket Size..... | 6' |
| Rated Flow | 20 GPM |
| Maximum Pressure | 2500 PSI |
| Lift Cylinder Dia. | 2 3/4" Bore |
| Attachment Cylinder Dia. | 2 3/4" Bore |
| Tractor Horsepower Range | 60-115 HP |

Dimensional Specifications

| | |
|--|--------|
| (A) *Maximum Lift Height to Pivot Pin..... | 12' |
| (B) *Lift Height under Level Bucket..... | 11' 4" |
| (C) *Clearance with Bucket Fully Dumped..... | 9' 6" |
| (D) *Reach at Maximum Lift Height..... | 2' 8" |
| (E) Maximum Dump Angle | 43° |
| (F) *Reach with Bucket on Ground | 6' 8" |
| (G) Maximum Rollback Angle | 23° |
| (H) *Digging Depth..... | 5" |
| (J) *Overall Height in Carry Position..... | 6' 3" |

Operational Specifications

| | |
|--|-----------|
| (U) *Lift Capacity to Maximum Height at Pivot Pin | 3675 lbs. |
| (V) *Lift Capacity to Maximum Height 31.5" Forward of Pivot Pin..... | 2540 lbs. |
| (Y) *Breakout Force at Ground Line at Pivot Pin..... | 5625 lbs. |
| (Z) *Breakout Force at Ground Line 31.5" Forward of Pivot Pin..... | 4095 lbs. |
| *Raising Time | 5 seconds |
| *Lower Time..... | 3 seconds |
| *Attachment Dumping Time | 4 seconds |
| *Attachment Rollback Time | 2 seconds |

*Specifications based on ASAE standards S301.3 (Front-End Agricultural Loader Ratings) The above information is based on testing done by Koyker Mfg. Variations in maximum lift height and other specs for different tractors are due to tire sizes, variations in loader mounting locations and hydraulic system efficiency.

Specifications are subject to change without notice and without liability therefore.

LOADER INSPECTION, SERVICE, AND MAINTENANCE

Lower the bucket to the ground, shut off tractor engine, and relieve the pressure in the hydraulic system before adjusting, lubricating, or servicing the loader.

Inspect all pins and grease fittings before each use and lubricate with heavy duty grease as indicated in this manual.

Periodically check all bolts for looseness and re-torque if necessary.

Before storage, be certain all hydraulic cylinders are fully collapsed so that the rod will not be exposed to the elements or damaged.

Be certain hydraulic system remains sealed at all times to prevent contamination.

Check and maintain an adequate fluid level in the tractor reservoir prior to use.

Inspect all hydraulic system hoses and fittings. Replace prior to further operation if damaged.



WARNING!

Escaping hydraulic oil under pressure can penetrate the skin. Never use body to check for hydraulic leaks. Use cardboard when checking for leaks. See Fig. 13-1. Relieve hydraulic pressure before disconnecting any hydraulic line. Failure to heed may result in serious injury or death.

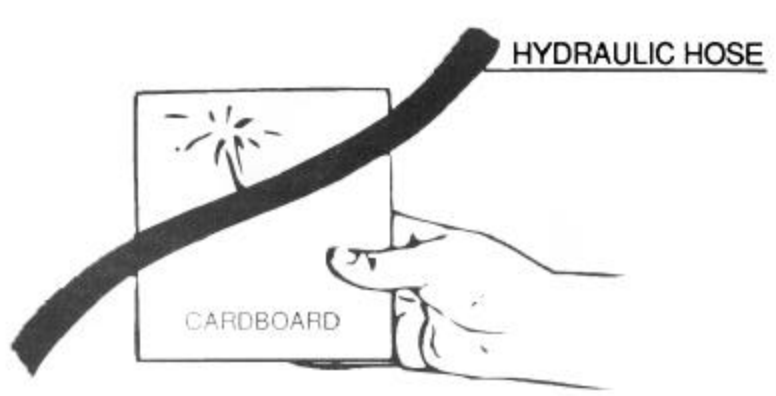
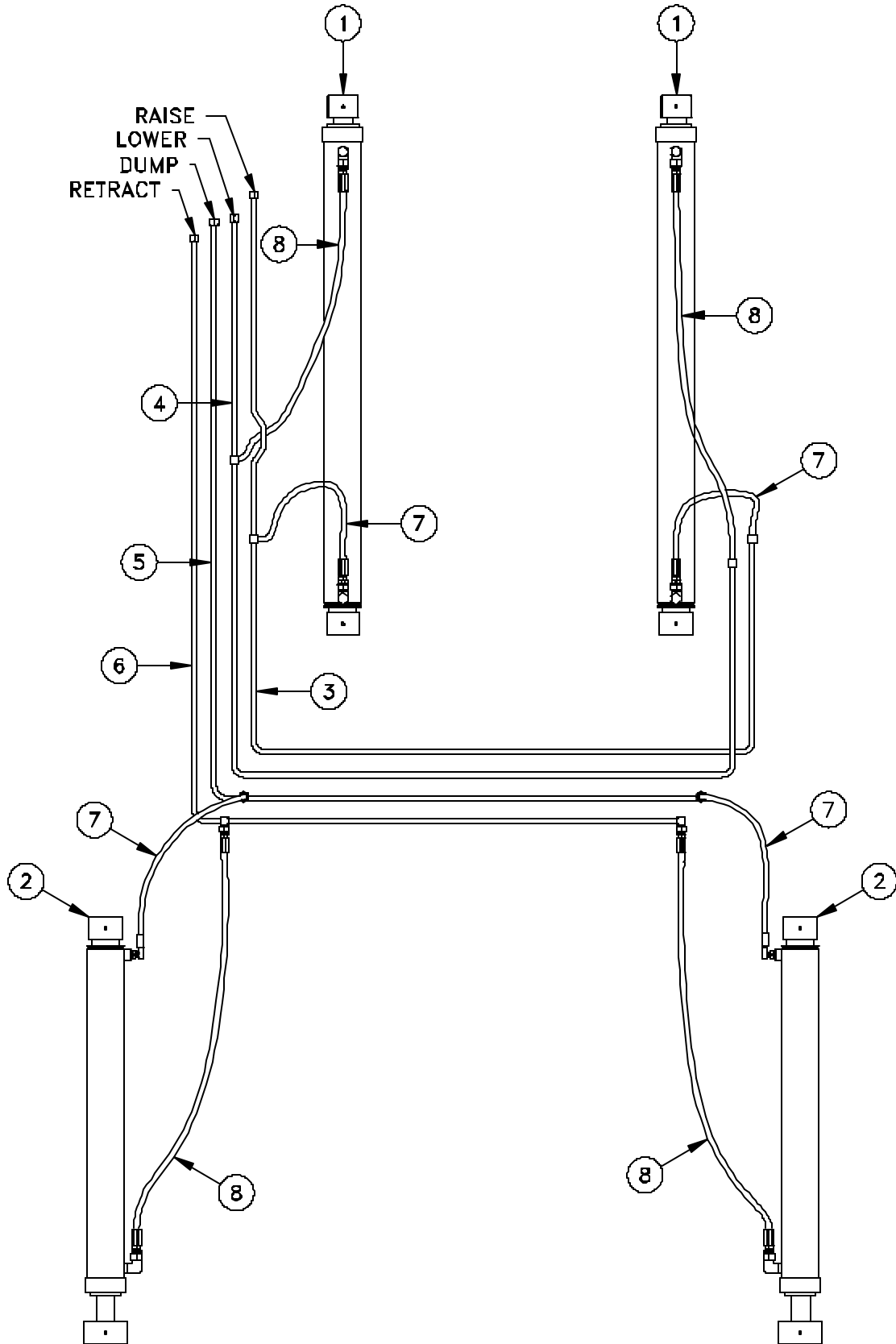


FIG. 13-1

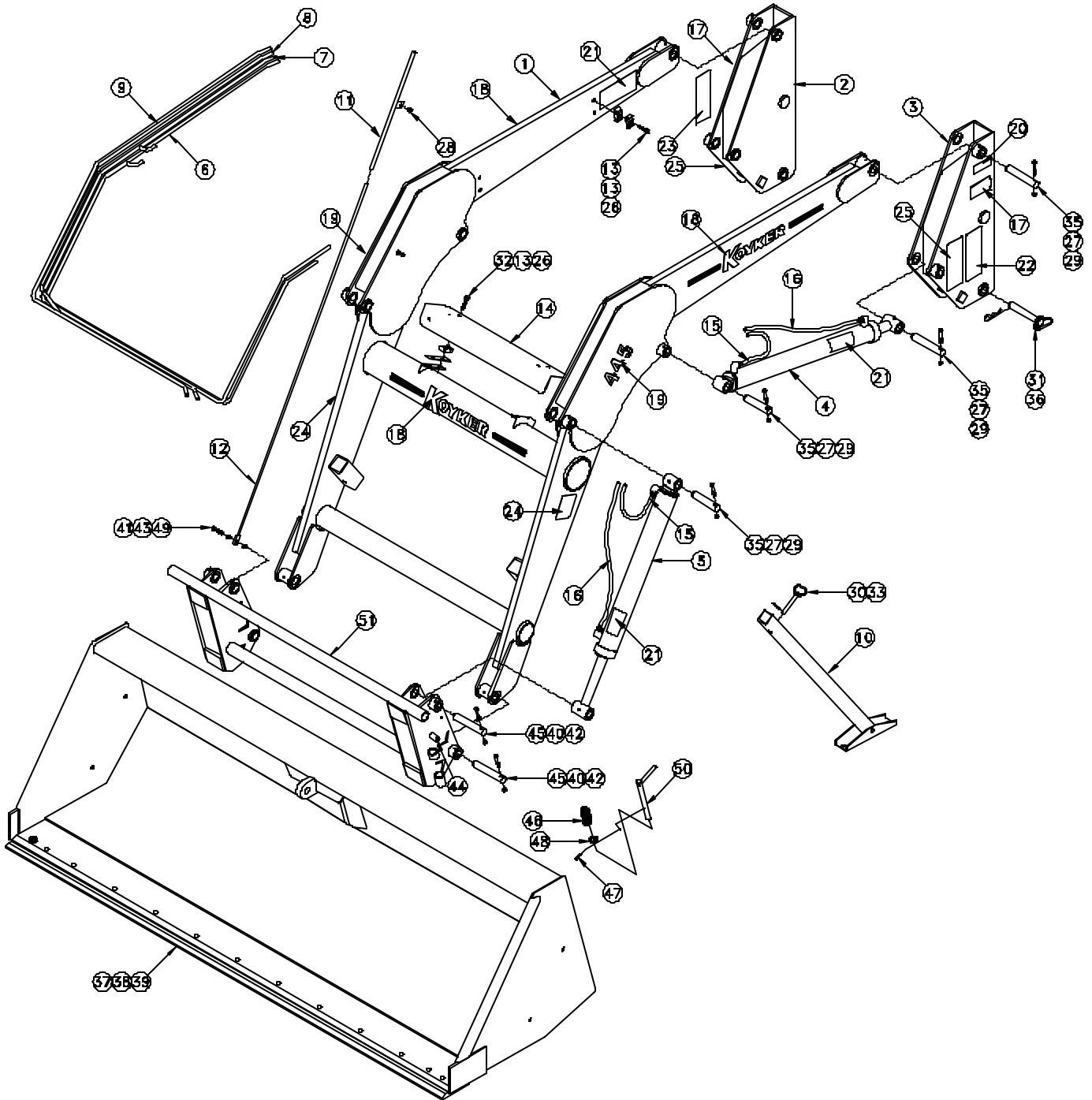
HYDRAULIC SYSTEM PARTS LIST

| KEY | PART NUMBER | DESCRIPTION | QUANTITY |
|--------|-------------|------------------------------|----------|
| 1..... | 675003..... | 2 3/4" Lift Cylinder..... | 2 |
| 2..... | 675004..... | 2 3/4" Bucket Cylinder | 2 |
| 3..... | 675006..... | 1st Oil Line..... | 1 |
| 4..... | 675007..... | 2nd Oil Line | 1 |
| 5..... | 675008..... | 3rd Oil Line | 1 |
| 6..... | 675009..... | 4th Oil Line | 1 |
| 7..... | 673993..... | 18" Hydraulic Hose..... | 4 |
| 8..... | 675556..... | 26" Hydraulic Hose..... | 4 |

HYDRAULIC SYSTEM PARTS DIAGRAM



KOYKER "445" LOADER PARTS DIAGRAM



PARTS IDENTIFICATION SCHEDULE

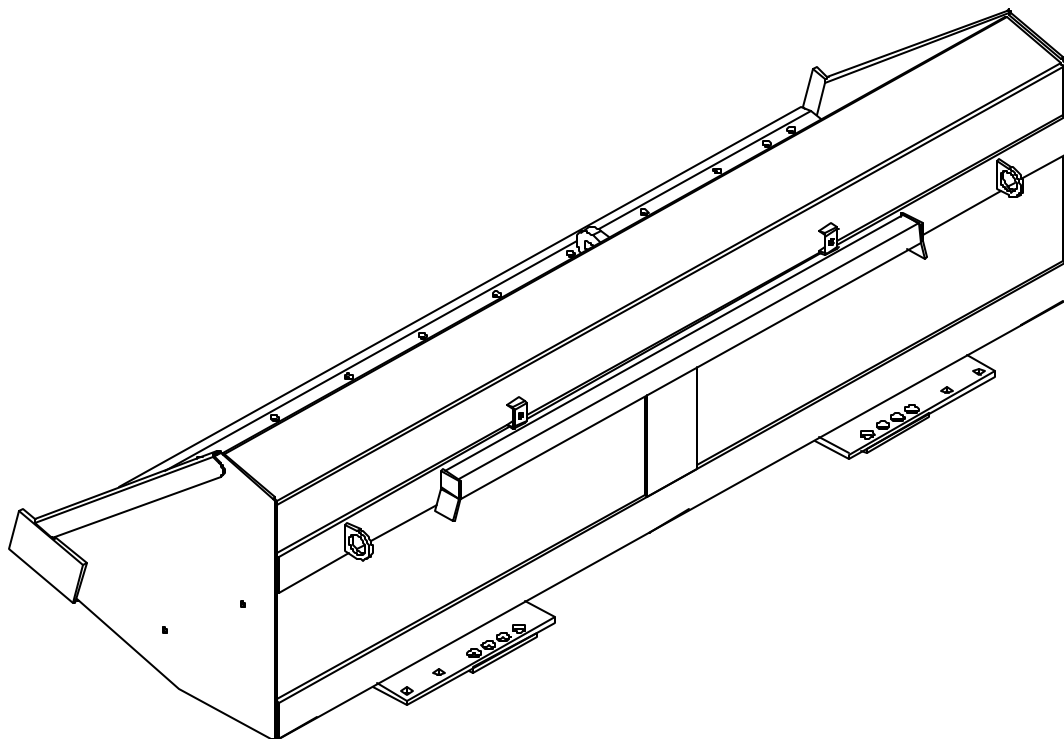
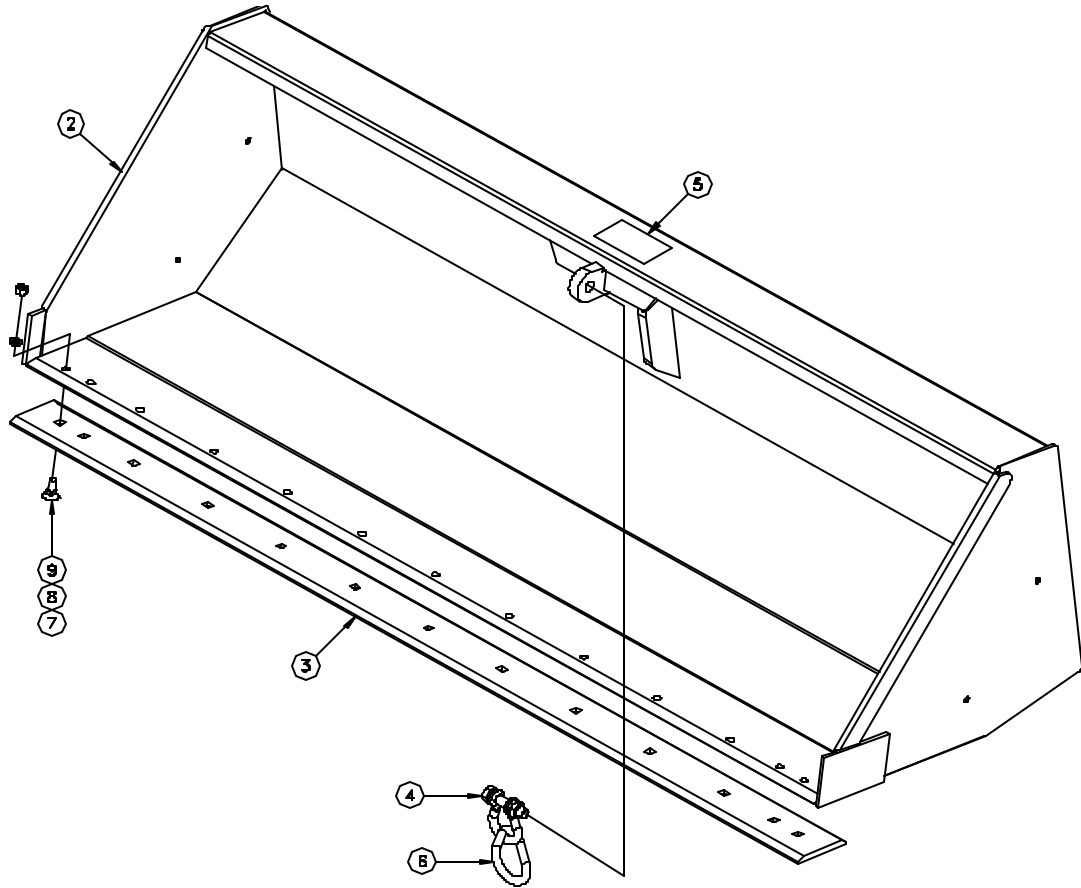
| KEY | PART NUMBER | DESCRIPTION | QUANTITY |
|---------|-------------|------------------------------------|----------|
| 1..... | 675000..... | Main Frame | 1 |
| 2..... | 675001..... | RH Pedestal Upright | 1 |
| 3..... | 675002..... | LH Pedestal Upright | 1 |
| 4..... | 675003..... | 2 3/4" Lift Cylinder..... | 2 |
| 5..... | 675004..... | 2 3/4" Bucket Cylinder | 2 |
| 6..... | 675006..... | 1st Oil Line | 1 |
| 7..... | 675007..... | 2nd Oil Line | 1 |
| 8..... | 675008..... | 3rd Oil Line | 1 |
| 9..... | 675009..... | 4th Oil Line | 1 |
| 10..... | 675011..... | Stand | 2 |
| 11..... | 657740..... | Indicator Sleeve | 1 |
| 12..... | 669515..... | Indicator Rod..... | 1 |
| 13..... | 672503..... | Clamp | 5 |
| 14..... | 675076..... | Oil Line Cover | 1 |
| 15..... | 673993..... | 18" Hydraulic Hose..... | 4 |
| 16..... | 675556..... | 26" Hydraulic Hose..... | 4 |
| 17..... | 654629..... | "American Made" Decal..... | 2 |
| 18..... | 654631..... | "Koyker" Decal..... | 3 |
| 19..... | 675005..... | "445" Decal..... | 2 |
| 20..... | 666941..... | Serial Number Decal..... | 1 |
| 21..... | 666943..... | Warning Decal | 5 |
| 22..... | 666944..... | Warning Decal | 1 |
| 23..... | 666945..... | Danger Decal..... | 1 |
| 24..... | 666946..... | Warning Decal | 2 |
| 25..... | 672275..... | Important Decal..... | 2 |
| 26..... | 673615..... | HH Cap Screw; 5/16" x 2"..... | 9 |
| 27..... | 640021..... | HH Cap Screw; 5/16" x 2 1/4" | 8 |
| 28..... | 654121..... | Locknut; 3/8" | 1 |
| 29..... | 640128..... | Locknut; 5/16" | 8 |
| 30..... | 640671..... | #3 Hitch Pin | 2 |
| 31..... | 640246..... | #6 Hitch Pin | 2 |
| 32..... | 661016..... | Oil Line Insulator..... | 2 |
| 33..... | 641119..... | Lock Pin | 2 |
| 34..... | 675015..... | Pivot Pin; 1 1/8" x 5 3/8"..... | 4 |
| 35..... | 675016..... | Pivot Pin; 1 1/8" x 6 9/16"..... | 4 |
| 36..... | 659514..... | Mount Pin..... | 2 |

PARTS IDENTIFICATION CONTINUED

Optional Fast Attach Buckets & Bucket Adapter & Cylinder

| KEY | PART NUMBER | DESCRIPTION | QUANTITY |
|---------|-------------|------------------------------------|----------|
| 37..... | 656757..... | 6' Fast Attach Bucket..... | 1 |
| 38..... | 656758..... | 7' Fast Attach Bucket..... | 1 |
| 39..... | 656759..... | 8' Fast Attach Bucket..... | 1 |
| | 675095 | Bucket Adapter Bundle | 1 |
| 40..... | 640021..... | HH Cap Screw; 5/16" x 2 1/4" | 4 |
| 41..... | 673012..... | HH Cap Screw; 3/8" x 1 3/4" | 1 |
| 42..... | 640128..... | Locknut; 5/16" | 4 |
| 43..... | 640132..... | Hexnut; 3/8" | 1 |
| 44..... | 640246..... | #6 Hitch Pin | 2 |
| 45..... | 675016..... | Pivot Pin; 1 1/8" x 6 9/16"..... | 4 |
| 46..... | 650388..... | Spring..... | 2 |
| 47..... | 650389..... | Spring Pin..... | 2 |
| 48..... | 650390..... | Latch Pin Washer..... | 2 |
| 49..... | 654121..... | Locknut; 3/8" | 1 |
| 50..... | 654699..... | Latch Pin | 2 |
| 51..... | 675010..... | Bucket Adapter | 1 |

BUCKET PARTS DIAGRAM



BUCKET PARTS IDENTIFICATION SCHEDULE

Optional Fast Attach Buckets with Bolt-on Blade & Clevis

| KEY | PART NUMBER | DESCRIPTION | QUANTITY |
|--------|-------------|-------------------------------------|----------|
| 1..... | 672840..... | 6' Fast Attach Bucket..... | 1 |
| 2..... | 672843..... | 6' Fast Attach Bucket Weldment..... | 1 |
| 3..... | 672846..... | 6' Bolt-on Blade..... | 1 |
| 4..... | 672852..... | Clevis | 1 |
| 5..... | 672981..... | Caution Decal..... | 1 |
| 6..... | 673286..... | Sling Link..... | 1 |
| 7..... | 672853..... | Plow Head Screw; 5/8" x 1 3/4"..... | 9 |
| 8..... | 640159..... | Lockwasher; 5/8"..... | 9 |
| 9..... | 640142..... | Hexnut; 5/8"..... | 9 |
| | | | |
| 1..... | 672841..... | 7' Fast Attach Bucket..... | 1 |
| 2..... | 672844..... | 7' Fast Attach Bucket Weldment..... | 1 |
| 3..... | 672847..... | 7' Bolt-on Blade..... | 1 |
| 4..... | 672852..... | Clevis | 1 |
| 5..... | 672981..... | Caution Decal..... | 1 |
| 6..... | 673286..... | Sling Link..... | 1 |
| 7..... | 672853..... | Plow Head Screw; 5/8" x 1 3/4"..... | 11 |
| 8..... | 640159..... | Lockwasher; 5/8"..... | 11 |
| 9..... | 640142..... | Hexnut; 5/8"..... | 11 |
| | | | |
| 1..... | 672842..... | 8' Fast Attach Bucket..... | 1 |
| 2..... | 672845..... | 8' Fast Attach Bucket Weldment..... | 1 |
| 3..... | 672848..... | 8' Bolt-on Blade..... | 1 |
| 4..... | 672852..... | Clevis | 1 |
| 5..... | 672981..... | Caution Decal..... | 1 |
| 6..... | 673286..... | Sling Link..... | 1 |
| 7..... | 672853..... | Plow Head Screw; 5/8" x 1 3/4"..... | 13 |
| 8..... | 640159..... | Lockwasher; 5/8"..... | 13 |
| 9..... | 640142..... | Hexnut; 5/8"..... | 13 |

CYLINDERS

IMPORTANT: Read these service tips before beginning assembly of cylinder gland or piston.

1. Keep seals clean from the time they are removed from package until they are installed.
2. Clean the groove or bore into which the seal is to be fitted before installing the seal.
3. Never touch the seal lip in handling. Always pick up the seal by its outer member.
4. Inspect each seal lip carefully for nicks, scratches, and dirt at time of installation. If dirty use a soft, clean cloth and carefully wipe off seal. **DO NOT wipe seal with fingers, this only imbeds dirt in the seal.**



NEVER clean rubber related seals with a mineral based solvent! Clean rubber seals in denatured alcohol or non-mineral based solvents only.

NOTE: Seals can be made more pliable and easier to install, if first heated in hydraulic oil to 160°F. Never use direct heat on any seals.

HYDRAULIC SYSTEM

The hoses from the tractor valves are attached to the oil lines which are on the inside of the loader main frame.

Re-check all joints to prevent leakage after loader is mounted and in operation.

KEEP SYSTEM CLEAN - USE ONLY CLEAN OIL



CAUTION! It is of utmost importance that the hydraulic system of this loader be kept free from dirt and foreign matter.

All internal parts to the hydraulic system of your loader have been carefully cleaned, inspected, and plugged with protective caps before shipment. All protective caps should be kept in place until the hydraulic system is connected.

NOTE: Over 75 percent of all hydraulic failure and service is caused by dirt, etc. in the system.

REMEMBER - CLEAN OIL MEANS LONGER LIFE!

2 3/4" CYLINDER SERVICE KITS WITH 1 3/4" SHAFT

KIT NO. 675682:

Complete kit with all seals needed to service one (1) 2 3/4" Cylinder. Consists of:

| | |
|--------|-----------------------|
| 1 each | 2 3/4" Gland "O" Ring |
| 1 each | 2 3/4" Backup Ring |
| 1 each | 1 3/4" U-cup Seal |
| 1 each | 1 3/4" Rod Wiper |
| 2 each | 2 3/4" U-cup Seal |
| 1 each | 1" Rod "O" Ring |
| 1 each | 1" Locknut |

KIT NO. 675683:

Complete assembled 2 3/4" Cylinder Gland with all seals. Consists of:

| | |
|--------|-----------------------|
| 1 each | 2 3/4" Aluminum Gland |
| 1 each | 2 3/4" Gland "O" Ring |
| 1 each | 2 3/4" Backup Ring |
| 1 each | 1 3/4" U-cup Seal |
| 1 each | 1 3/4" Rod Wiper |
| 1 each | 1" Locknut |

KIT NO. 672930:

Complete assembled 2 3/4" Cylinder Piston with all seals. Consists of:

| | |
|--------|------------------------|
| 1 each | 2 3/4" Aluminum Piston |
| 2 each | 2 3/4" U-cup Seal |
| 1 each | 1" Rod "O" Ring |
| 1 each | 1" Locknut |

KIT NO. 675284:

All seals needed to service one (1) 2 3/4" Cylinder Gland. Consists of:

| | |
|--------|-----------------------|
| 1 each | 2 3/4" Gland "O" Ring |
| 1 each | 2 3/4" Backup Ring |
| 1 each | 1 3/4" U-cup Seal |
| 1 each | 1 3/4" Rod Wiper |
| 1 each | 1" Locknut |

KIT NO. 672932:

All seals needed to service one (1) 2 3/4" Cylinder Piston. Consists of:

| | |
|--------|-------------------|
| 2 each | 2 3/4" U-cup Seal |
| 1 each | 1" Rod "O" Ring |
| 1 each | 1" Locknut |

HYDRAULIC CYLINDER PARTS LIST

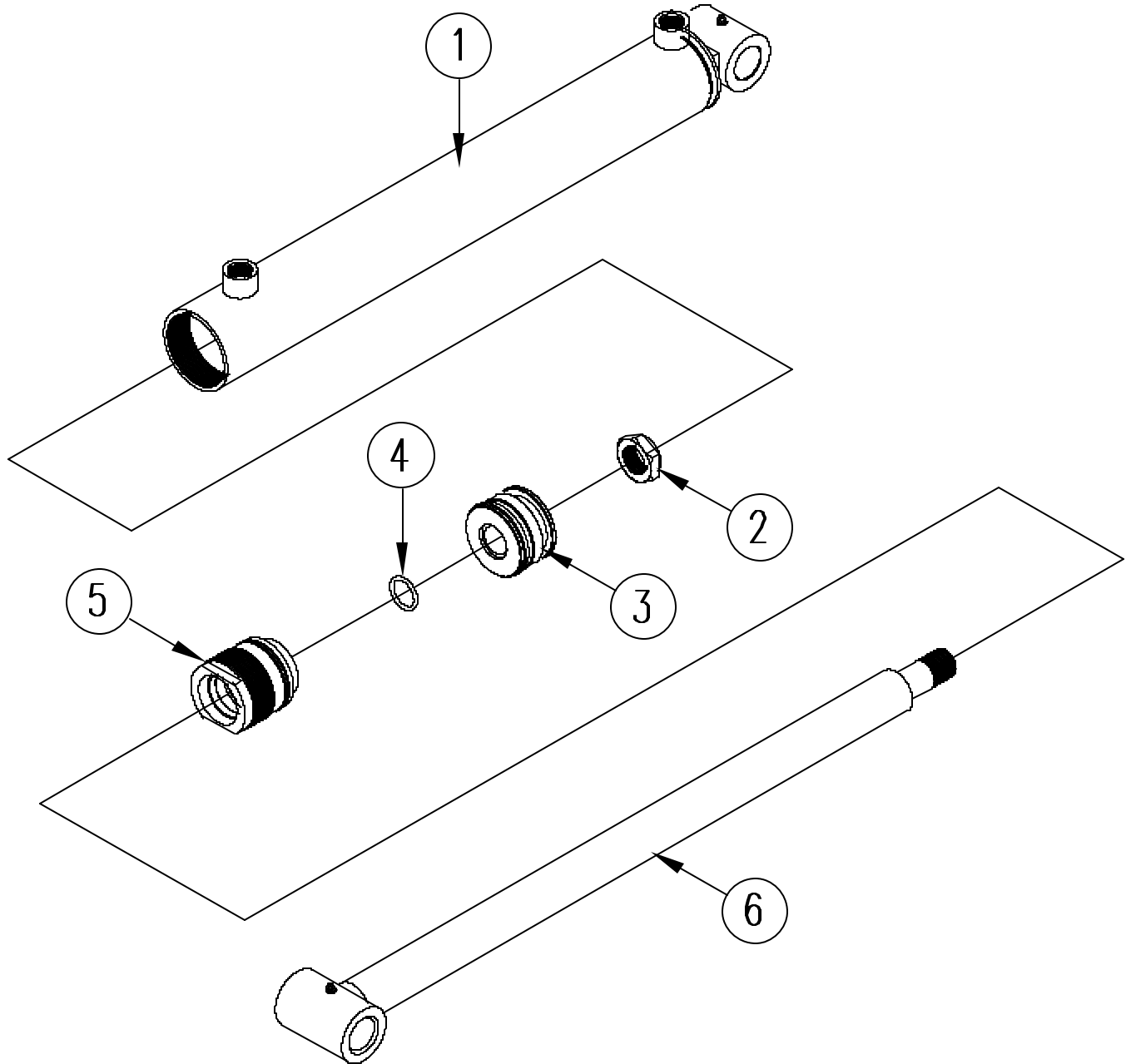
LIFT CYLINDER (Part No. 675003)

| Key | Part No. | Description | Quantity |
|--------|--------------|----------------------|----------|
| 1..... | 675045..... | Tube Weldment..... | 1 |
| 2..... | 661017..... | Locknut | 1 |
| 3..... | 672904..... | Piston Assembly..... | 1 |
| 4..... | 640301..... | “O” Ring Seal..... | 1 |
| 5..... | 674735..... | Gland Assembly..... | 1 |
| 6..... | 675050 | Rod Weldment | 1 |

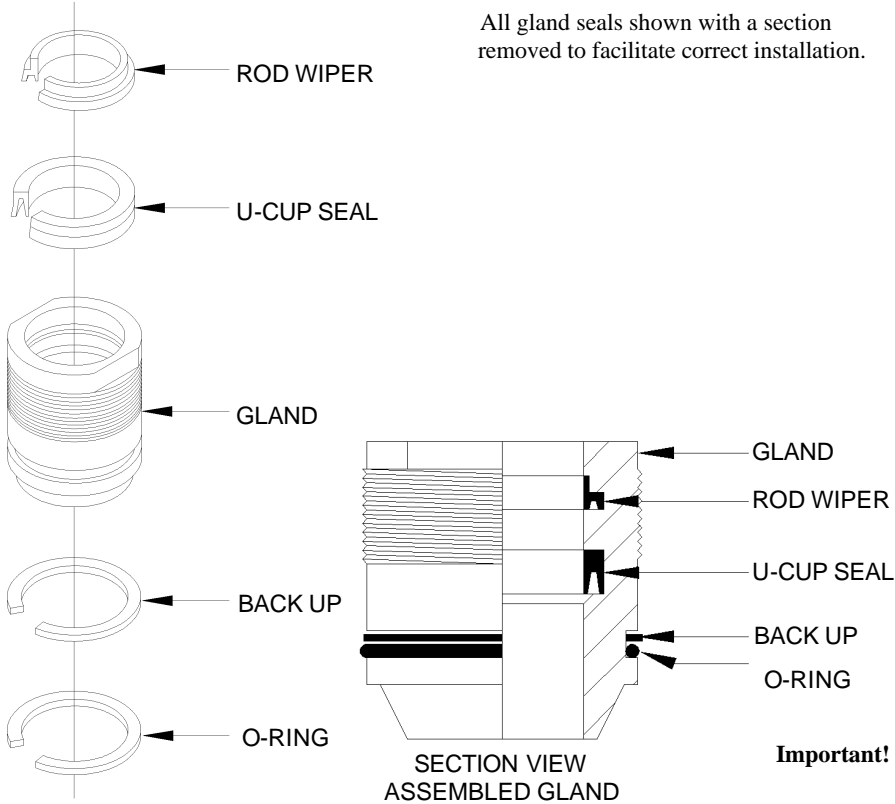
BUCKET CYLINDER (Part No. 675004)

| Key | Part No. | Description | Quantity |
|--------|--------------|----------------------|----------|
| 1..... | 675049..... | Tube Weldment..... | 1 |
| 2..... | 661017..... | Locknut | 1 |
| 3..... | 672904..... | Piston Assembly..... | 1 |
| 4..... | 640301..... | “O” Ring Seal..... | 1 |
| 5..... | 674735 | Gland Assembly..... | 1 |
| 6..... | 675050..... | Rod Weldment | 1 |

HYDRAULIC CYLINDER PARTS DIAGRAM



CYLINDER GLAND SERVICE DIAGRAM



All gland seals shown with a section removed to facilitate correct installation.

Note: To install rod wiper and U-cup seal, fold similar to shape shown below, slip into gland bore and locate each in its respective groove. Tools are used to fold seals, take care not to damage sealing surfaces.

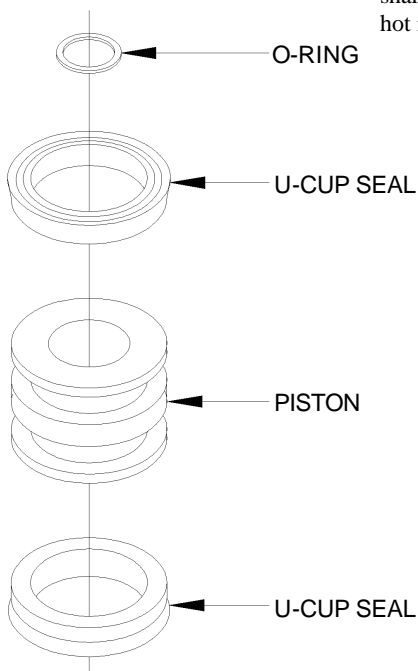


Important! Be sure all gland and piston seals have been installed correctly before cylinder is assembled!

CYLINDER PISTON SERVICE DIAGRAM

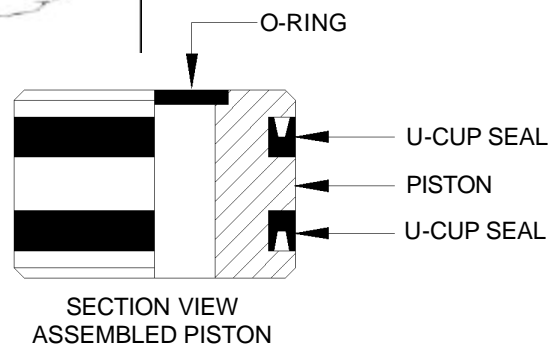
To Remove Seals:

Carefully cut across each seal with a sharp knife. Be sure not to scratch sealing surfaces of aluminum piston. If a sharp knife is not available. An electric soldering gun or hot iron may be used to melt throughout seals.



To Install Seals:

1. Thoroughly clean piston sealing surface of all foreign matter.
2. Heat new seals in hydraulic oil to 160° F. Never use a direct flame or heated water on hydraulic seals.
3. Remove seals from oil, wipe dry and install in piston grooves as shown in illustration at left. Be sure seals have completely seated in piston grooves before allowed to cool.
4. Replace piston on cylinder shaft and assemble cylinder when seals have cooled to room temperature.



LIMITED WARRANTY

Thank you for purchasing a quality product from Koyker Manufacturing Company (Koyker). Your satisfaction with Koyker's products is very important to us. This manual will help you understand the function, service intervals, and warranty of your new Koyker product(s). It is the retail customer's responsibility to inspect the Koyker product(s) or part(s) before using. Before operating or allowing anyone to operate a Koyker product, please take time to read the manual thoroughly. Failure to do so may result in injury or death and is considered misuse. If your manual has been lost or destroyed, please contact Koyker at (800) 456-1107 or (605) 647-2811 for a new copy.

Koyker Manufacturing Company **Limited Warranty**

Koyker warrants to the retail customer of any new Koyker product, purchased from an authorized Koyker dealer, that the product manufactured by Koyker is free from defects in material and workmanship. This warranty is limited to one (1) year from the date of retail sale to the retail customer for all non-commercial, state, county, or city use. A six (6) month period from the date of retail sale to the retail customer is warranted for all commercial use.

Koyker reserves the right to inspect any products or parts which are claimed to be defective, have defective material, or have less than satisfactory workmanship before Koyker repairs or replaces any products or parts. A retail customer must notify Koyker of a claim by registered or certified mail, return receipt requested, within 30 days after discovery of a problem, or the claim shall be deemed waived. Defective products or parts must be returned to the Koyker factory, at the customer's expense, for inspection by Koyker. Koyker's obligation is limited to repairing or replacing, at its factory, any part or component it determines is defective. Koyker's replacement parts are manufactured with the same precision and skill as its original equipment. All warranted or replacement parts purchased or provided by Koyker will have, at a minimum, a 90-day warranty from the date of installation. If the expiration of the original warranty on a new Koyker product is longer than 90 days, the warranted parts will be covered until the original, new product warranty expiration date.

All cylinder claims shall be handled through Koyker's dealers or distributors. All hydraulic cylinders are thoroughly inspected before shipment from the Koyker factory. Therefore, no claim may be granted where a cylinder has been damaged or abused (including, but not limited to, bent tubes, dents, nicks, abused threads, attempted alterations, or welding), or unless the claim is made to Koyker within one (1) year from the sale to the original purchaser.

Any defective cylinder reported to Koyker within one (1) year from the sale by the dealer to the original purchaser may be repaired or replaced after Koyker's inspection and approval. In such case, notify a Koyker dealer for proper instructions. If after inspection, Koyker finds that the cylinder is not defective and has been abused or otherwise damaged, any transportation charges shall be paid by the original purchaser immediately after receiving notification of Koyker's inspection results.

LIMITED WARRANTY

Cylinders requiring factory repair more than one (1) year after sale to an original purchaser shall be given to a Koyker dealer for return to Koyker with transportation charges prepaid by the purchaser. The purchaser shall be responsible for all service and repair charges. Leaks around the shaft seal and internal bypass leaks may be field repaired. Service kits are available for those repairs.

Warranty Limitations and Exclusions.

THE WARRANTIES SET FORTH ABOVE ARE EXCLUSIVE AND ARE IN LIEU OF, AND PURCHASER HEREBY WAIVES, ALL OTHER CONDITIONS, REPRESENTATIONS AND WARRANTIES, EXPRESS OR IMPLIED BY STATUTE, USAGE, CUSTOM OF TRADE OR OTHERWISE, INCLUDING, WITHOUT LIMITATION, THE IMPLIED WARRANTIES OF MERCHANTABILITY AND FITNESS FOR A 2 PARTICULAR PURPOSE. NOTWITHSTANDING ANY OTHER OR PRIOR STATEMENT, WRITTEN OR ORAL, KOYKER MAKES NO OTHER WARRANTIES REGARDING THE QUALITY OF THE PRODUCTS OR THE MATERIALS CONTEMPLATED HEREUNDER.

No warranty is given by Koyker for parts, components, or trade accessories furnished by Koyker but not manufactured by it. Those items are covered by the warranty of their manufacturer, if any. No person, firm, or corporation, including the selling dealer, is authorized to assume for Koyker any other liability in connection with the sale of these goods.

KOYKER SHALL NOT BE LIABLE FOR INDIRECT, SPECIAL, INCIDENTAL, CONSEQUENTIAL OR PUNITIVE DAMAGES DIRECTLY OR INDIRECTLY ARISING FROM THE DESIGN, CONSTRUCTION, INSTALLATION, MANUFACTURE, OR USE OF KOYKER'S PRODUCTS, PARTS, COMPONENTS, OR TRADE ACCESSORIES. Such incidental and consequential damages shall include, but not be limited to: non-associated taxes or duties; charges for normal maintenance or service; loss of crops, property damage, or any other income loss; freight charges, other than normal freight charges associated with Koyker products or parts; other installation charges not approved by Koyker; rental charges of any substitute equipment; expenses due to lost, damaged, or delayed products or parts resulting from acts beyond the control of Koyker; and personal injury or death of operator or bystanders by misappropriated use of Koyker products or parts.

A user shall notify Koyker in writing within 30 days of any accident or occurrence involving Koyker products resulting in personal injury or property damage and shall cooperate fully with Koyker in investigating and determining the cause of such accident or occurrence. In the event that a user fails to give such notice to Koyker and so cooperate, such user agrees to indemnify and hold Koyker harmless from all loss or damage arising from such accident or occurrence.

LIMITED WARRANTY

Among other conditions, Koyker's warranty will not apply:

1. Products or parts that are subject to misuse, abuse, and/or negligence.
2. For surface wear, scheduled maintenance parts, and other items that Koyker deems expendable.
3. If products or parts not manufactured by Koyker or approved by Koyker are connected to or used in conjunction with the Koyker products or parts and if Koyker deems the non-Koyker products or parts affect the performance, safety, reliability, or life of the Koyker products or parts.
4. If products or parts sold by, but not manufactured by Koyker, have their own vendor warranties.

Koyker reserves the right to implement new designs for the continual improvement of their products. These product improvements will be ongoing, and Koyker will not be responsible for incurring cost or obligation for installations or upgrades to previously sold products.

No employee or representative of Koyker may change or amend any part of this limited warranty or make exceptions to this limited warranty, unless such changes are made in writing by Koyker's legal counsel.

All goods being returned to the Koyker factory must have a Returned Goods Authorization (RGA) number from Koyker. To obtain an RGA number, call (800) 456-1107 or e-mail Koyker at koyker@koykermfg.com.

Returned parts will not be accepted without an RGA number written on the outside of the box of the returned goods. 30 days are allowed for shipping, from the day the RGA number was issued by Koyker. If the return item(s) is not received into the Koyker system within 30 days, no credit will be issued. Upon request only, a second RGA number will be issued and an additional 30 days may be allowed. No credit will be issued if the return item(s) are not received into the Koyker system 30 days after the second RGA number was issued.

Should you require additional information or assistance, please contact Koyker Manufacturing Company at (800) 456-1107, (605) 647-2811, or e-mail Koyker at koyker@koykermfg.com.

TORQUE SPECIFICATIONS

1. Tightening Bolts & Nuts

Check all loader bolts and nuts for tightness every 50 working hours. The movement of the loader over rough terrain may cause bolts to come under pressure and over a long period of time some slight stretching of the bolt may occur. The slack created may need to be taken up by tightening. Please refer below for recommended torque settings.

Metric Recommended Torque Settings

| Size | Class 8.8 | | | | Class 10.9 | | | |
|----------|------------|-------|------|-----------|------------|-------|------|-------|
| | Lubricated | | Dry | | Lubricated | | Dry | |
| | N*m | Lb-ft | N*m | Lb-ft | N*m | Lb-ft | N*m | Lb-ft |
| M6..... | 9 | 6.5 | 11 | 8.5..... | 13 | 9.5 | 17 | 12 |
| M8..... | 22 | 16 | 28 | 20..... | 32 | 24 | 40 | 30 |
| M10..... | 43 | 32 | 55 | 40..... | 63 | 47 | 80 | 60 |
| M12..... | 75 | 55 | 95 | 70..... | 110 | 80 | 140 | 105 |
| M14..... | 120 | 88 | 150 | 110..... | 175 | 130 | 225 | 165 |
| M16..... | 190 | 140 | 240 | 175..... | 275 | 200 | 350 | 225 |
| M18..... | 260 | 195 | 330 | 250..... | 375 | 275 | 475 | 350 |
| M20..... | 375 | 275 | 475 | 350..... | 530 | 400 | 675 | 500 |
| M22..... | 510 | 375 | 650 | 475..... | 725 | 540 | 925 | 675 |
| M24..... | 650 | 475 | 825 | 600..... | 925 | 675 | 1150 | 850 |
| M27..... | 950 | 700 | 1200 | 875..... | 1350 | 1000 | 1700 | 1250 |
| M30..... | 1300 | 950 | 1650 | 1200..... | 1850 | 1350 | 2300 | 1700 |
| M33..... | 1750 | 1300 | 2200 | 1650..... | 2500 | 1850 | 3150 | 2350 |
| M36..... | 2250 | 1650 | 2850 | 2100..... | 3200 | 2350 | 4050 | 3000 |

SAE Recommended Torque Settings

| Size | Grade 5 | | | | Grade 8 | | | |
|------------|------------|-------|------|-----------|------------|-------|------|-------|
| | Lubricated | | Dry | | Lubricated | | Dry | |
| | N*m | Lb-ft | N*m | Lb-ft | N*m | Lb-ft | N*m | Lb-ft |
| 1/4..... | 9.5 | 7 | 12 | 9..... | 13.5 | 10 | 17 | 12.5 |
| 5/16..... | 20 | 15 | 25 | 18..... | 28 | 21 | 35 | 26 |
| 3/8..... | 35 | 26 | 44 | 33..... | 50 | 36 | 63 | 46 |
| 7/16..... | 55 | 41 | 70 | 52..... | 80 | 58 | 100 | 75 |
| 1/2..... | 85 | 63 | 110 | 80..... | 120 | 90 | 150 | 115 |
| 9/16..... | 125 | 90 | 155 | 115..... | 175 | 130 | 225 | 160 |
| 5/8..... | 170 | 125 | 215 | 160..... | 215 | 160 | 300 | 225 |
| 3/4..... | 300 | 225 | 375 | 280..... | 425 | 310 | 550 | 400 |
| 7/8..... | 490 | 360 | 625 | 450..... | 700 | 500 | 875 | 650 |
| 1..... | 725 | 540 | 925 | 675..... | 1050 | 750 | 1300 | 975 |
| 1-1/8..... | 900 | 675 | 1150 | 1200..... | 2050 | 1500 | 2600 | 1950 |
| 1-3/8..... | 1700 | 1250 | 2150 | 1550..... | 2700 | 2000 | 3400 | 2550 |
| 1-1/2..... | 2250 | 1650 | 2850 | 2100..... | 3600 | 2650 | 4550 | 3350 |



DO NOT use these values if a different torque value or tightening procedure is given for a specific application. Torque values listed are for general use only and include a +/- 10% variance. Check tightness of fasteners periodically. DO NOT use air powered wrenches. Shear bolts are designed to fail under predetermined loads. Always replace shear bolts with identical grade.