

2021

Sudenga
INDUSTRIES, INC.

BIN SWEEPS & AUGERS

C A T A L O G



www.sudenga.com/our-products/grain-bin-standard/



Equipment as supplied from this catalog is not intended for use in a hazardous environment. Explosion proof drives and motors can be obtained by consulting the factory. It is the installers responsibility to determine the suitability of this product for the application.

PATENTS APPLY:

www.sudenga.com/about-us/patented-products



BIN SWEEPS & AUGERS

Field tested and proven to perform. From high capacity u-trough power sweeps to simple under floor tube and auger systems, Sudenga sets the standard in bin unloading systems.

CONTENTS

AT A GLANCE / INTRO 4

UNDERBIN SYSTEMS 6

UNDERBIN AUGERS, SUMPS, & CONTROLS 8

POWERHEADS / BIN UNLOADS 14

BIN SWEEP AUGERS 23

ACCESSORIES 26

EXTERNAL BIN AUGERS 28

HOPPER BOTTOM BIN UNLOAD 28

ROOF AUGERS 30



POWER SWEEP SYSTEMS 32

ROUND TUBE POWER SWEEP SYSTEMS 32

U-TROUGH POWER SWEEP SYSTEMS 42

COMMERCIAL DUTY SYSTEMS 52

UNDERBIN SYSTEMS 52

POWERHEADS / BIN UNLOADS 57

UNDERBIN QUICK PRICE GUIDE 60

SERIES I COMMERCIAL SWEEP 62

D SERIES COMMERCIAL SWEEP 68

BIN SWEEPS & AUGERS AT A GLANCE

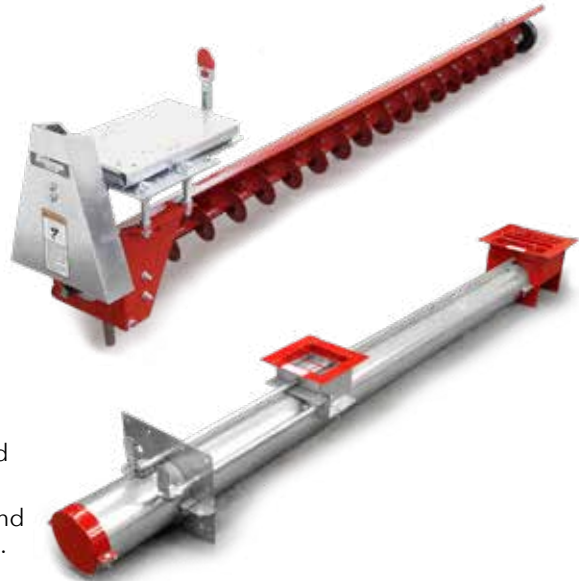
UNDERBIN SYSTEMS

UNDERBIN AUGERS, SUMPS AND CONTROLS

Complete underbin round tube (6", 8" and 10") auger systems for bins to 49' 6" in diameter for dryer or concrete bin floor applications. Capacities range from 1,000 BPH to 3,800 BPH depending on which power head is ordered. Galvanized tube standard. Sleeved or flanged tube options.

UNDERBIN AUGER POWERHEADS

- Vertical bin unload, single drive: for 6", 8" and 10" underbin augers. Lefthand and righthand augers. Sleeved or flanged mount.
- Vertical bin unload, double drive: for 8" and 10" underbin augers. Lefthand and righthand augers. Sleeved or flanged mount.
- Inclined bin unload, right angle: Lefthand flight only. Sleeved or flanged mount. PTO or electric drive.
- Inclined bin unload, 27°: for 6", 8" and 10" underbin augers. Lefthand and righthand augers. Sleeved or flanged mount. Electric or hydraulic drive.
- Horizontal bin unload: for 6", 8" and 10" underbin augers. Lefthand and righthand augers. Sleeved or flanged mount. Electric or hydraulic drive.



BIN SWEEP AUGERS

4-1/4" for 6" underbin augers, 5-1/4" for 8" and 7-1/4" for 10" underbin augers. Modular design fits a variety of bin sizes. 7-1/2' or 9' basic sections with motor mount and wheel or walkers. Extension sections in 1-1/2', 3', 4-1/2', 6' and 9' lengths. Mix basic section with extensions as necessary to fit multiple bin diameters.

BIN SWEEP ACCESSORIES

Quick detach motor mount makes motors easier to remove and sweeps lighter for moving in and out of bins. Reduction drive end wheel replaces standard rubber end wheel or steel walker. Bin sweep walker have the durability of steel wheel with better forward sweep advancement.

EXTERNAL BIN AUGERS

HOPPER BOTTOM BIN UNLOADERS

8" and 10" hopper bottom bin unloading augers. Hopper boot is hinged to allow horizontal to 40° incline angles. Fits many popular hopper bin brands and sizes.

BIN ROOF AUGERS

6, 8 and 10" diameter augers fit bins from 18 to 60' in diameter. A hopper with lid, discharge spout and auger mounting brackets are included.



POWER SWEEP SYSTEMS

ROUND TUBE POWER SWEEP SYSTEMS (8" & 10")

8" round tube power sweep systems offer capacities to 2400 bph and are available for bins from 18 to 61' in diameter. 10" round tube power sweep systems offer capacities to 5,500 BPH and are available for bins from 18' to 80' in diameter.

U-TROUGH POWER SWEEP SYSTEMS (10" & 12")

10 and 12" u-trough power sweeps are available for bins from 18 to 80' in diameter. 10" systems offer capacities to 6000 bph. 12" systems handle up to 10,000 BPH in capacity.



POWER SWEEP POWERHEADS

- Vertical bin unload, single and double drive: for 8" and 10" round tube power sweeps. Single or double electric motor drive for 8" power sweeps and double electric motor drive for 10" power sweeps. Not available for u-trough.
- Inclined bin unload, 27°: for 8" and 10" round tube and 10" and 12" u-trough power sweeps. An oversized transition boot with constant velocity knuckle offers performance and reliability.
- Horizontal bin unload: for 8" and 10" round tube and 10" and 12" u-trough power sweeps. Features quick tension motor mount and fully enclosed belt shields. End plate removable on all sizes allowing underbin auger to be pulled from under bin without removing the motor.

COMMERCIAL DUTY SYSTEMS

COMMERCIAL UNDERBIN AUGER SYSTEMS

Complete commercial underbin round tube (8", 10" and 12") auger systems for bins to 80' in diameter for dryer or concrete bin floor applications. Capacities range from 2,400 BPH to 5,600 BPH depending on which power head is ordered. Flanged tube standard.



COMMERCIAL UNDERBIN AUGER POWERHEADS

- Vertical bin unload, double drive: for 8 and 10" underbin systems. Double electric motor drive standard. 8" vertical handles up to 2400 bph while 10" vertical handles up to 3,800 BPH.
- Inclined bin unload, 27°: for 8 and 10" underbin systems. 8" incline offers up to 2,000 BPH and 10" incline offers up to 3,200 BPH. Commercial incline features double bearing at driveshaft and constant velocity knuckle to transmit power reliably.
- Horizontal bin unload: 8, 10 and 12" horizontal power heads feature quick tension motor mount and fully enclosed belt shields. End plate removable on all sizes allowing underbin auger to be pulled from under bin without removing the motor.

SERIES I COMMERCIAL SWEEP

7-1/4" sweeps handle up to 2,050 BPH. 9-1/4" sweeps handle up to 3,700 BPH and 11-1/4" handle up to 5,900 BPH. Sweeps available for bins up to 80' in diameter. Reduction end wheels, motorized push tractors and sweep controls available as options.



D SERIES COMMERCIAL SWEEPS

D series zero entry commercial sweeps available for grain bins up to 136' diameter. 12" D-100 and D-150 models available in capacities to 6,000 BPH. 16" D-150 models available for capacities to 10,000 BPH. Sweeps are advanced by a motorized push tractor or floor mounted track drive. Patented above floor electrical collector ring and auto advance sweep controls allow the sweep to be wired permanently and controlled totally from outside the bin.

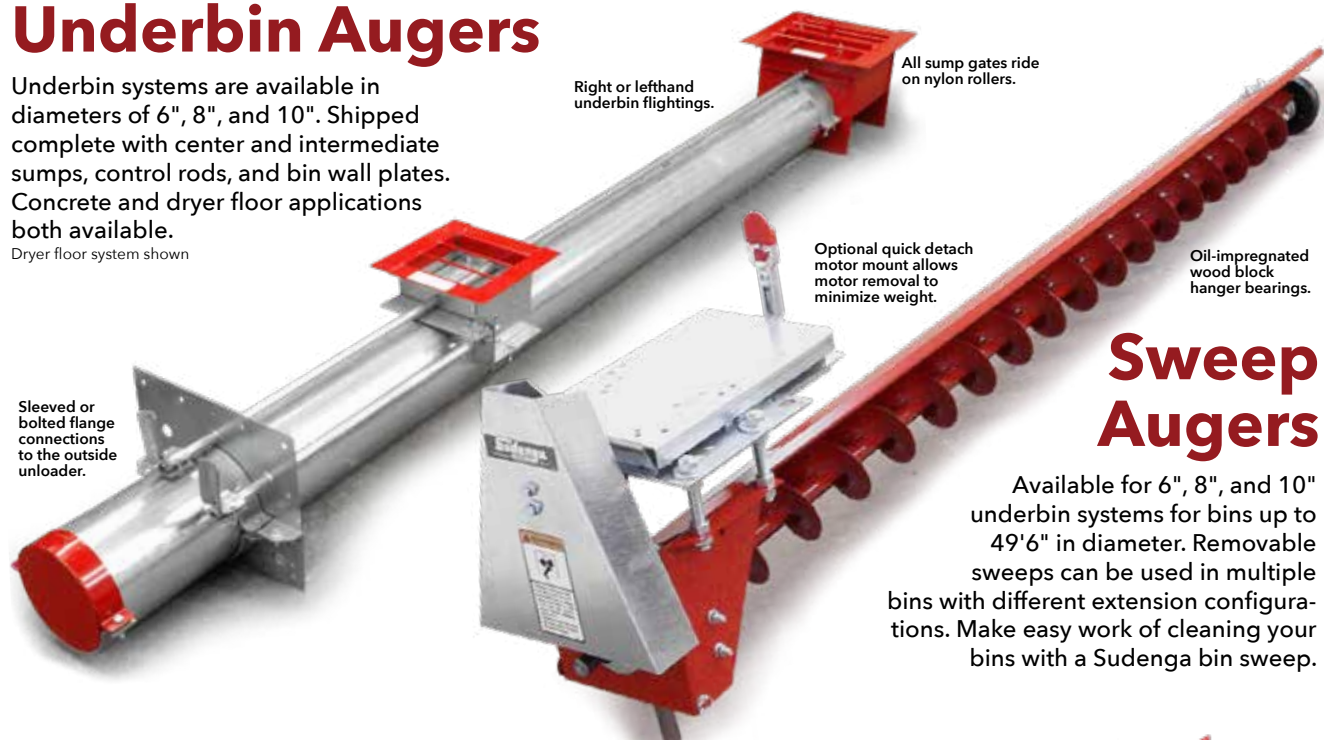
UNDERBIN SYSTEMS STANDARD DUTY

Sudenga offers 6" 8" & 10" underbin systems for both concrete and dryer floor bins up to 49' 6" in diameter.

Underbin Augers

Underbin systems are available in diameters of 6", 8", and 10". Shipped complete with center and intermediate sumps, control rods, and bin wall plates. Concrete and dryer floor applications both available.

Dryer floor system shown



Right or lefthand underbin flightings.

All sump gates ride on nylon rollers.

Optional quick detach motor mount allows motor removal to minimize weight.

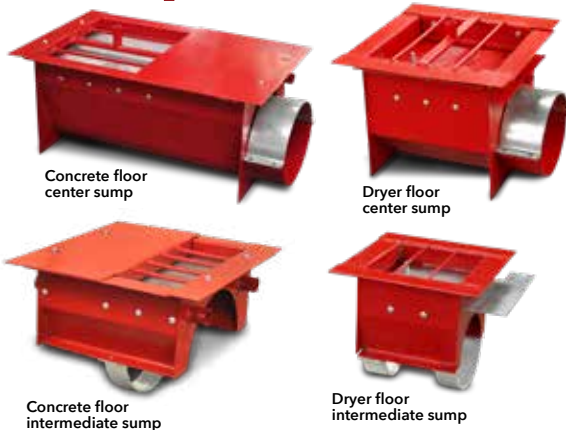
Oil-impregnated wood block hanger bearings.

Sleeved or bolted flange connections to the outside unloader.

Sweep Augers

Available for 6", 8", and 10" underbin systems for bins up to 49'6" in diameter. Removable sweeps can be used in multiple bins with different extension configurations. Make easy work of cleaning your bins with a Sudenga bin sweep.

Sumps



Concrete floor center sump

Dryer floor center sump

Concrete floor intermediate sump

Dryer floor intermediate sump

SWEEP STOP

Optional sweep stop bolts to the bin wall, limiting the sweep to one revolution.



SPECIFICATIONS

Auger Diameter	Trough Gauge	Flight Gauge	Flight Pipe OD-ID
6"	14	10	1¼" - 1"
8"	14	3/16"	1½" - 1¼"
10"	14	3/16"	2½" - 1½"
12"	12	¼"	2-7/8" - 2"

* Collared down to 1½" ID

BIN SWEEP WALKER (OPTIONAL)

Features the durability of steel wheels and the traction of rubber wheels

Bin sweep walkers are "walking feet" mounted on offset cams. The cams lift the feet and move them forward as the flighting rotates. The cams have grease-type bronze bearings for easy movement and long life. Bin sweep walkers are available for standard flightings with ¾" to 1½" pipe ID's, but can be supplied for any size flighting pipe. Sweep walkers have a height adjustment feature that compensates for uneven floors. Walkers can be used with clockwise or counterclockwise sweeps.

Standard sizes (flight pipe ID): 3/4", 13/16", 7/8", 1", 1-1/4", 1-1/2". Custom sizes available.



Powerheads

Vertical Bin Unloaders

16' augers for 6", 8", and 10" underbin augers. Available with single or double drive.

Horizontal Heads

24" augers for all underbin augers.

27° Inclined Unloaders

5' augers available for 6" and 8" underbin augers. 7' lengths available for all underbin augers.



UNLOADING CAPACITIES (BUSHEL/HOUR, APPROX.)*

Auger Type	Transitions (Underbin to Unloading Auger)					
	6" - 6"	6" - 8"	8" - 8"	8" - 10"	10" - 10"	10" - 12"
Vertical - Single Drive	–	1,000 - 1,200	–	2,200 - 2,600	–	3,600 - 3,800
Vertical - Double Drive	–	–	–	2,200 - 2,600	–	3,600 - 3,800
Right Angle Incline	–	1,000 - 1,200	–	2,200 - 2,400	–	3,600 - 3,800
27° Incline	–	1,000	–	2,000	–	3,200
Horizontal	1,000 - 1,200	–	2,200 - 2,600	–	3,600 - 3,800	–

* Capacity is reduced when the sweep is operating.

UNDERBIN SYSTEMS

IN THIS SECTION

- Underbin augers, sumps and controls**8
 - Underbin auger tube and flighting.....8
 - Sumps for concrete & dryer floors.....11
 - Sumps controls, end caps, bin wall plates11
 - Sump control kits.....12
 - Underbin system quick price guide.....12
- Powerheads**.....14
 - Vertical bin unload, single drive.....14
 - Vertical bin unload, double drive.....16
 - Inclined bin unload, right angle18
 - Inclined bin unload, 27°20
 - Horizontal bin unload.....22
- Bin sweep augers**.....23
 - Bin sweep augers.....23
 - Bin sweep auger quick price guide25
- Bin sweep accessories**26

UNDERBIN SYSTEMS

Underbin Augers, Sumps and Controls (PAGE 1 OF 6)

Complete underbin round tube (6", 8" and 10") auger systems for bins to 49' 6" in diameter for dryer or concrete bin floor applications. Capacities range from 1,000 BPH to 3,800 BPH depending on which power head is ordered. Galvanized tube standard. Sleeved or flanged tube options.

Underbin Auger Tube & Flighting

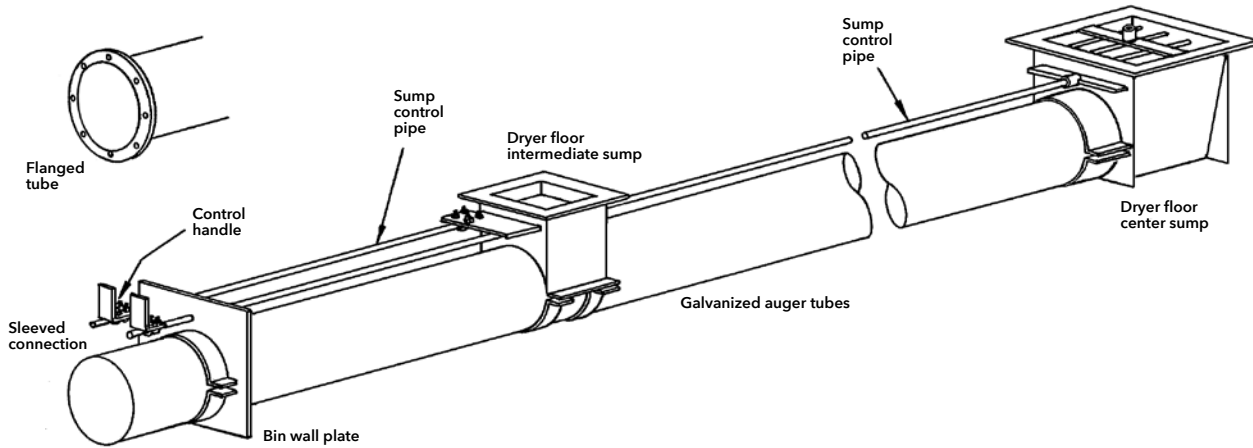
PRICING GUIDE

Available in 6", 8" and 10" diameters. Auger tube and flightings are ordered separately. Center and intermediate sumps ordered separately as well (note number needed in chart). Auger tubes are galvanized. Right or lefthand flightings are available. Flightings are 6" longer than tubes (to extend into the center sump). Flightings less than 20 ft. have bolt holes on one end only. Total horsepower required is the unloading auger HP plus the underbin auger HP. Ship weights are in parentheses.

6" TUBE								
BIN DIAMETER	TUBE LENGTH	INTERM. SUMPS NEEDED	WITH FLANGE			SLEEVED CONNECTION		
			PART NO.	WEIGHT	PRICE	PART NO.	WEIGHT	PRICE
15'	8'	1	850012	(41)	\$225.00	GH-6T9	(78)	\$181.00
15' 6" - 18'	9½'	1	850013	(48)	\$266.00	GH-6T10	(78)	\$220.00
18' 7" - 21'	11'	1	850014	(56)	\$297.00	GH-6T12	(78)	\$249.00
21' 8" - 24'	12½'	2	850015	(67)	\$323.00	GH-6T13	(65)	\$285.00
24' 9" - 27'	14'	2	850016	(71)	\$363.00	GH-6T15	(73)	\$321.00
27' 10" - 30'	15½'	2	850017	(77)	\$395.00	GH-6T16	(81)	\$350.00
30' 11" - 33'	17'	2	850018	(86)	\$425.00	GH-6T18	(89)	\$385.00
34' - 36'	18½'	3	850019	(91)	\$470.00	GH-6T19	(97)	\$418.00
37' 1"	20'	3	850188	(98)	\$492.00	850186	(104)	\$449.00
40' 3" - 42'	21½'	4	850189	(105)	\$524.00	GH-6T22	(112)	\$484.00
43' 4" - 48'	24½'	4	850128	(120)	\$594.00	GH-6T25	(128)	\$552.00

6" FLIGHTING								
BIN DIAMETER	FLIGHT SIZE	HP	LEFTHAND			RIGHTHAND		
			PART NO.	WEIGHT	PRICE	PART NO.	WEIGHT	PRICE
15'	5¼" x 8½'	1½	GH-6L9	(22)	\$178.00	GH-6R9	(22)	\$178.00
15' 6" - 18'	5¼" x 10'	1½	GH-6L10	(26)	\$210.00	GH-6R10	(26)	\$210.00
18' 7" - 21'	5¼" x 11½'	1½	GH-6L12	(30)	\$241.00	GH-6R12	(30)	\$241.00
21' 8" - 24'	5¼" x 13'	2	GH-6L13	(34)	\$272.00	GH-6R13	(34)	\$272.00
24' 9" - 27'	5¼" x 14½'	2	GH-6L15	(38)	\$305.00	GH-6R15	(38)	\$305.00
27' 10" - 30'	5¼" x 16'	2	GH-6L16	(42)	\$336.00	GH-6R16	(42)	\$336.00
30' 11" - 33'	5¼" x 17½'	2	GH-6L18	(46)	\$370.00	GH-6R18	(46)	\$370.00
34' - 36'	5¼" x 19'	2	GH-6L19	(49)	\$397.00	GH-6R19	(49)	\$397.00
37' 1"	5¼" x 20½'	3	-	-	-	850194	(53)	\$496.00
40' 3" - 42'	5¼" x 22'	3	GH-6L22	(57)	\$536.00	GH-6R22	(57)	\$536.00
43' 4" - 48'	5¼" x 25'	3	GH-6L25	(65)	\$593.00	GH-6R25	(65)	\$593.00

Underbin Augers, Sumps and Controls (PAGE 2 OF 6)



8" TUBE								
BIN DIAMETER	TUBE LENGTH	INTERM. SUMPS NEEDED	WITH FLANGE			SLEEVED CONNECTION		
			PART NO.	WEIGHT	PRICE	PART NO.	WEIGHT	PRICE
15'	8'	1	850020	(56)	\$341.00	GH-8T9	(52)	\$266.00
15' 6" - 18'	9½'	1	850021	(69)	\$388.00	GH-8T10	(66)	\$313.00
18' 7" - 21'	11'	1	850022	(76)	\$441.00	GH-8T12	(77)	\$356.00
21' 8" - 24'	12½'	2	850023	(86)	\$484.00	GH-8T13	(87)	\$403.00
24' 9" - 27'	14'	2	850024	(95)	\$524.00	GH-8T15	(98)	\$448.00
27' 10" - 30'	15½'	2	850025	(105)	\$576.00	GH-8T16	(108)	\$498.00
30' 11" - 33'	17'	2	850026	(118)	\$629.00	GH-8T18	(119)	\$542.00
34' - 36'	18½'	3	850027	(125)	\$672.00	GH-8T19	(130)	\$587.00
37' 1"	20'	3	850028	(135)	\$722.00	850126	(140)	\$642.00
40' 3" - 42'	21½'	4	850029	(142)	\$771.00	GH-8T22	(151)	\$678.00
43' 4" - 48'	24½'	4	850030	(168)	\$869.00	GH-8T25	(172)	\$775.00
49' 6"	26½'	4	850031	(182)	\$934.00	850129	(186)	\$846.00

8" FLIGHTING								
BIN DIAMETER	FLIGHT SIZE	HP	LEFTHAND			RIGHTHAND		
			PART NO.	WEIGHT	PRICE	PART NO.	WEIGHT	PRICE
15'	7¼" x 8½'	2	GH-8L9	(37)	\$268.00	GH-8R9	(37)	\$268.00
15' 6" - 18'	7¼" x 10'	3	GH-8L10	(43)	\$313.00	GH-8R10	(43)	\$313.00
18' 7" - 21'	7¼" x 11½'	3	GH-8L12	(60)	\$363.00	GH-8R12	(61)	\$363.00
21' 8" - 24'	7¼" x 13'	3	GH-8L13	(68)	\$404.00	GH-8R13	(69)	\$404.00
24' 9" - 27'	7¼" x 14½'	3	GH-8L15	(62)	\$449.00	GH-8R15	(62)	\$449.00
27' 10" - 30'	7¼" x 16'	3	GH-8L16	(69)	\$497.00	GH-8R16	(69)	\$497.00
30' 11" - 33'	7¼" x 17½'	5	GH-8L18	(75)	\$536.00	GH-8R18	(75)	\$536.00
34' - 36'	7¼" x 19'	5	GH-8L19	(82)	\$579.00	GH-8R19	(82)	\$579.00
37' 1"	7¼" x 20½'	5	-	-	-	850145	(86)	\$701.00
40' 3" - 42'	7¼" x 22'	5	GH-8L22	(119)	\$756.00	GH-8R22	(95)	\$756.00
43' 4" - 48'	7¼" x 25'	5	GH-8L25	(135)	\$853.00	GH-8R25	(108)	\$853.00
49' 6"	7¼" x 27'	5	-	-	-	850146	(117)	\$916.00

Underbin Augers, Sumps and Controls (PAGE 3 OF 6)

10" TUBE								
BIN DIAMETER	TUBE LENGTH	INTERM. SUMPS NEEDED	WITH FLANGE			SLEEVED CONNECTION		
			PART NO.	WEIGHT	PRICE	PART NO.	WEIGHT	PRICE
15'	8'	1	850202	(71)	\$484.00	GH-10T9	(67)	\$405.00
15' 6" - 18'	9½'	1	850203	(84)	\$559.00	GH-10T10	(83)	\$490.00
18' 7" - 21'	11'	1	850204	(95)	\$630.00	GH-10T12	(96)	\$559.00
21' 8" - 24'	12½'	2	850205	(109)	\$704.00	GH-10T13	(110)	\$632.00
24' 9" - 27'	14'	2	850206	(120)	\$780.00	GH-10T15	(123)	\$706.00
27' 10" - 30'	15½'	2	850207	(133)	\$849.00	GH-10T16	(136)	\$780.00
30' 11" - 33'	17'	2	850208	(145)	\$924.00	GH-10T18	(149)	\$849.00
34' - 36'	18½'	3	850209	(158)	\$998.00	GH-10T19	(162)	\$934.00
37' 1"	20'	3	850210	(169)	\$1,086.00	850190	(176)	\$1,014.00
40' 3" - 42'	21½'	4	850211	(182)	\$1,160.00	GH-10T22	(189)	\$1,091.00
43' 4" - 48'	24½'	4	850212	(207)	\$1,326.00	GH-10T25	(215)	\$1,253.00
49' 6"	26½'	4	850213	(223)	\$1,433.00	850191	(233)	\$1,365.00

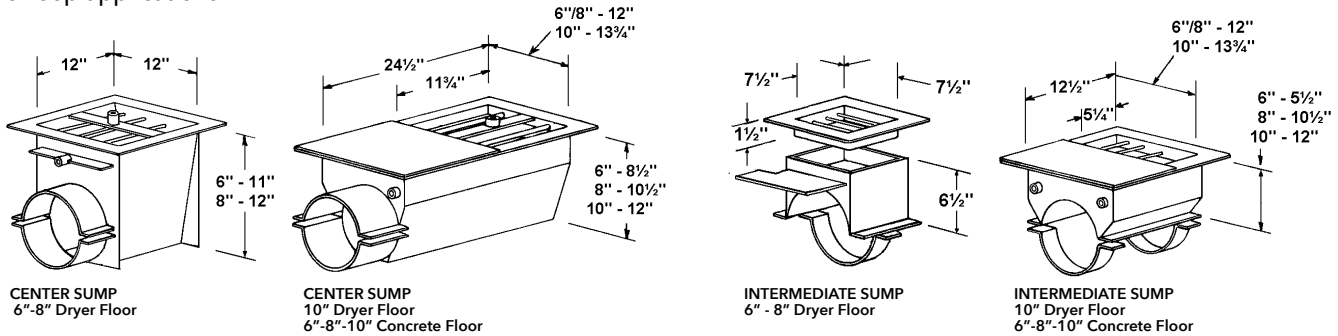
10" FLIGHTING								
BIN DIAMETER	FLIGHT SIZE	HP	LEFTHAND			RIGHTHAND		
			PART NO.	WEIGHT	PRICE	PART NO.	WEIGHT	PRICE
15'	9¼" x 8½'	3	GH-10L9	(69)	\$396.00	GH-10R9	(65)	\$396.00
15' 6" - 18'	9¼" x 10'	5	GH-10L10	(80)	\$450.00	GH-10R10	(69)	\$450.00
18' 7" - 21'	9¼" x 11½'	5	GH-10L12	(91)	\$521.00	GH-10R12	(79)	\$521.00
21' 8" - 24'	9¼" x 13'	5	GH-10L13	(103)	\$583.00	GH-10R13	(90)	\$583.00
24' 9" - 27'	9¼" x 14½'	5	GH-10L15	(113)	\$651.00	GH-10R15	(100)	\$651.00
27' 10" - 30'	9¼" x 16'	5	GH-10L16	(124)	\$718.00	GH-10R16	(110)	\$718.00
30' 11" - 33'	9¼" x 17½'	5	GH-10L18	(136)	\$780.00	GH-10R18	(121)	\$780.00
34' - 36'	9¼" x 19'	5	GH-10L19	(146)	\$847.00	GH-10R19	(131)	\$847.00
37' 1"	9¼" x 20½'	5	-	-	-	850192	(142)	\$975.00
40' 3" - 42'	9¼" x 22'	5	GH-10L22	(184)	\$1,059.00	GH-10R22	(152)	\$1,059.00
43' 4" - 48'	9¼" x 25'	5	GH-10L25	(206)	\$1,195.00	GH-10R25	(173)	\$1,195.00
49' 6"	9¼" x 27'	5	-	-	-	850193	(187)	\$1,281.00

SPECIAL STOCKED FLIGHTINGS				
SIZE	LEFTHAND	PRICE	RIGHTHAND	PRICE
6" x 20'	GH-6L20	\$490.00	GH-6R20	\$490.00
8" x 20'	GH-8L20	\$687.00	GH-8R20	\$687.00
10" x 20'	GH-10L20	\$960.00	GH-10R20	\$960.00

Underbin Augers, Sumps and Controls (PAGE 4 OF 6)

Sumps for Concrete & Dryer Floors

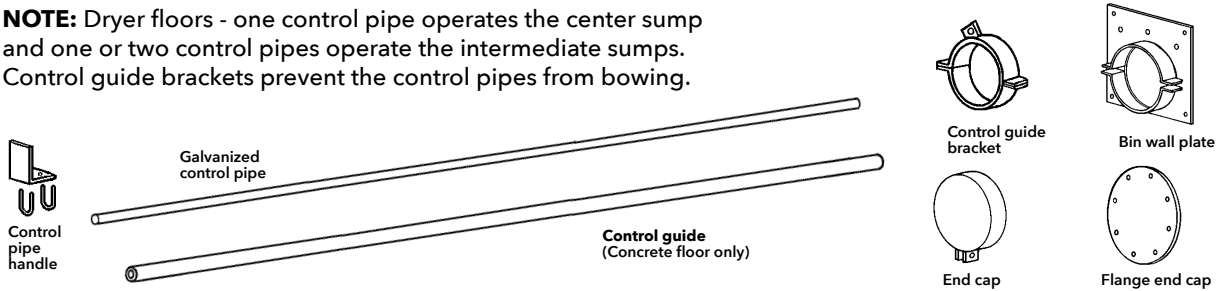
NOTES: Center sumps have 3/4" ID tubes for sweep pivots. Center sump gates have UHMW rollers. Intermediates have UHMW slides. All sump edge flanges are 2" wide. 10" sumps are identical for both floor types. Not for commercial sweep applications.



		6" TUBE			8" TUBE			10" TUBE		
		PART NO.	WT.	PRICE	PART NO.	WT.	PRICE	PART NO.	WT.	PRICE
Dryer Floor	Center Sump	000621	(31)	\$267.00	034821	(31)	\$297.00	011020	(47)	\$423.00
	Intermediate Sump	001622	(12)	\$204.00	034822	(11)	\$243.00	021022	(21)	\$402.00
Concrete Floor	Center Sump	000620	(37)	\$318.00	000820	(41)	\$358.00	011020	(47)	\$423.00
	Intermediate Sump	003622	(18)	\$264.00	012822	(18)	\$297.00	021022	(21)	\$402.00

Sump Controls, End Caps, Bin Wall Plates

NOTE: Dryer floors - one control pipe operates the center sump and one or two control pipes operate the intermediate sumps. Control guide brackets prevent the control pipes from bowing.



	6" TUBE			8" TUBE			10" TUBE		
	PART NO.	WT.	PRICE	PART NO.	WT.	PRICE	PART NO.	WT.	PRICE
Control Pipe Handle	024958	(1)	\$22.90	024958	(1)	\$22.90	024958	(1)	\$22.90
Control Pipe, 1/2" x 10 1/2'	025475	(9)	\$60.20	025475	(9)	\$60.20	025475	(9)	\$60.20
Control Pipe, 1/2" x 21'	025476	(17)	\$85.20	025476	(17)	\$85.20	025476	(17)	\$85.20
Control Pipe Coupler	025472	(1)	\$10.80	025472	(1)	\$10.80	025472	(1)	\$10.80
Control Guide, 1/2" x 10'	025480	(13)	\$63.80	025480	(13)	\$63.80	025480	(13)	\$63.80
Control Guide, 1 1/2" x 20'	025481	(32)	\$111.00	025481	(32)	\$111.00	025481	(32)	\$111.00
Control Guide Coupler	025006	(1)	\$18.60	025006	(1)	\$18.60	025006	(1)	\$18.60
Control Guide Bracket	850098	(3)	\$30.70	850099	(4)	\$35.40	850225	(5)	\$42.10
Bin Wall Plate	000625	(4)	\$65.80	001825	(6)	\$74.00	001025	(8)	\$88.50
End Cap, Sleeve	000623	(3)	\$18.70	000823	(2)	\$22.60	001023	(6)	\$32.10
End Cap, Flange	002401	(1)	\$11.90	002471	(2)	\$15.60	002497	(4)	\$19.70

Underbin Augers, Sumps and Controls (PAGE 5 OF 6)

Sump Control Kits

PRICING GUIDE

Sump control kits include a center sump control pipe, intermediate sump control pipe (55" from the bin wall), and control handles. Concrete floor kits also include control guides. Order additional pipes/guides as needed for additional intermediate sumps as needed from page 11.

SUMP CONTROL KITS						
BIN DIAMETER	DRYER FLOOR			CONCRETE FLOOR		
	PART NO.	WT.	PRICE	PART NO.	WT.	PRICE
15'	850113	(8)	\$96.10	850144	(32)	\$162.00
15'6" - 18'	850114	(9)	\$103.00	850130	(35)	\$181.00
18'7" - 21'	850115	(10)	\$107.00	850131	(39)	\$199.00
21'8" - 24'	850116	(12)	\$114.00	850132	(43)	\$212.00
24'9" - 27'	850117	(13)	\$121.00	850133	(46)	\$227.00
27'10" - 30'	850118	(14)	\$126.00	850134	(50)	\$245.00
30'11" - 33'	850119	(16)	\$133.00	850135	(54)	\$263.00
34' - 36'	850120	(17)	\$144.00	850136	(57)	\$278.00
37'1"	850121	(18)	\$146.00	850137	(61)	\$297.00
40'3" - 42'	850122	(19)	\$153.00	850138	(65)	\$331.00
43'4" - 48'	850123	(22)	\$173.00	850139	(72)	\$356.00
49'6"	850062	(25)	\$181.00	850063	(77)	\$367.00

Underbin System Quick Price Guides

PRICING GUIDE

Prices include a galvanized underbin tube, flighting, center sump with gate on nylon or UHMW rollers, one intermediate sump with gate on UHMW slides, sump controls for center and one intermediate sump, and a bin wall plate (dryer floor only). Order additional intermediate sumps and controls as needed. The outside unloading auger and motor are not included. Horsepower is based on dry corn and 80% tube fill. Higher fill rates or other material will require more horsepower.

NOTE: Underbin tubes use a sleeve connection for outside unloaders. For tubes with welded flanges for connection to the unloading auger, add an "F" to the part number below, and the following amount to the price: 6" (\$39), 8"(\$73), and 10" (\$63).

6" UNDERBIN SYSTEM QUICK PRICE GUIDE						
BIN DIAMETER	DRYER FLOOR INSTALLATION			CONCRETE FLOOR INSTALLATION		
	PART NO.	HP	PRICE	PART NO.	HP	PRICE
15'	GH6DF15	1½	\$990.00	GH6CF15	1½	\$1,100.00
15'6" - 18'	GH6DF18	1½	\$1,065.00	GH6CF18	1½	\$1,190.00
18'7" - 21'	GH6DF21	1½	\$1,131.00	GH6CF21	1½	\$1,268.00
21'8" - 24'	GH6DF24	1½	\$1,205.00	GH6CF24	1½	\$1,347.00
24'9" - 27'	GH6DF27	2	\$1,280.00	GH6CF27	2	\$1,433.00
27'10" - 30'	GH6DF30	2	\$1,346.00	GH6CF30	2	\$1,510.00
30'11" - 33'	GH6DF33	2	\$1,422.00	GH6CF33	2	\$1,597.00
34' - 36'	GH6DF36	2	\$1,492.00	GH6CF36	2	\$1,671.00
37'1"	GH6DF37	2	\$1,625.00	GH6CF37	2	\$1,821.00
40'3" - 42'	GH6DF42	3	\$1,707.00	GH6CF42	3	\$1,930.00
43'4" - 48'	GH6DF48	3	\$1,852.00	GH6CF48	3	\$2,079.00
49'6"	-	-	-	-	-	-

Underbin Augers, Sumps and Controls (PAGE 6 OF 6)

8" UNDERBIN SYSTEM QUICK PRICE GUIDE						
BIN DIAMETER	DRYER FLOOR INSTALLATION			CONCRETE FLOOR INSTALLATION		
	PART NO.	HP	PRICE	PART NO.	HP	PRICE
15'	GH8DF15	2	\$1,242.00	GH8CF15	2	\$1,348.00
15'6" - 18'	GH8DF18	2	\$1,341.00	GH8CF18	2	\$1,458.00
18'7" - 21'	GH8DF21	3	\$1,439.00	GH8CF21	3	\$1,571.00
21'8" - 24'	GH8DF24	3	\$1,533.00	GH8CF24	3	\$1,671.00
24'9" - 27'	GH8DF27	3	\$1,629.00	GH8CF27	3	\$1,776.00
27'10" - 30'	GH8DF30	3	\$1,734.00	GH8CF30	3	\$1,893.00
30'11" - 33'	GH8DF33	5	\$1,860.00	GH8CF33	5	\$1,992.00
34' - 36'	GH8DF36	5	\$1,922.00	GH8CF36	5	\$2,096.00
37'1"	GH8DF37	5	\$2,101.00	GH8CF37	5	\$2,291.00
40'3" - 42'	GH8DF42	5	\$2,198.00	GH8CF42	5	\$2,416.00
43'4" - 48'	GH8DF48	5	\$2,412.00	GH8CF48	5	\$2,635.00
49'6"	GH8DF49	5	\$2,555.00	GH8CF49	5	\$2,779.00

10" UNDERBIN SYSTEM QUICK PRICE GUIDE						
BIN DIAMETER	DRYER FLOOR INSTALLATION			CONCRETE FLOOR INSTALLATION		
	PART NO.	HP	PRICE	PART NO.	HP	PRICE
15'	GH10DF15	3	\$1,808.00	GH10CF15	3	\$1,785.00
15'6" - 18'	GH10DF18	5	\$1,953.00	GH10CF18	5	\$1,942.00
18'7" - 21'	GH10DF21	5	\$2,098.00	GH10CF21	5	\$2,101.00
21'8" - 24'	GH10DF24	5	\$2,239.00	GH10CF24	5	\$2,249.00
24'9" - 27'	GH10DF27	5	\$2,387.00	GH10CF27	5	\$2,405.00
27'10" - 30'	GH10DF30	5	\$2,533.00	GH10CF30	5	\$2,563.00
30'11" - 33'	GH10DF33	5	\$2,672.00	GH10CF33	5	\$2,713.00
34' - 36'	GH10DF36	5	\$2,833.00	GH10CF36	5	\$2,879.00
37'1"	GH10DF37	5	\$3,045.00	GH10CF37	5	\$3,107.00
40'3" - 42'	GH10DF42	5	\$3,212.00	GH10CF42	5	\$3,302.00
43'4" - 48'	GH10DF48	5	\$3,531.00	GH10CF48	5	\$3,625.00
49'6"	GH10DF49	5	\$3,736.00	GH10CF49	5	\$3,832.00

UNDERBIN SYSTEMS

Powerheads (PAGE 1 OF 9)

Vertical bin unload, single drive: For 6", 8" and 10" underbin augers. Lefthand and righthand augers. Sleeved or flanged mount.

Vertical bin unload, double drive: For 8" and 10" underbin augers. Lefthand and righthand augers. Sleeved or flanged mount.

Inclined bin unload, right angle: Lefthand flight only. Sleeved or flanged mount. PTO or electric drive.

Inclined bin unload, 27°: For 6", 8" and 10" underbin augers. Lefthand and righthand augers. Sleeved or flanged mount. Electric or hydraulic drive.

Horizontal bin unload: For 6", 8" and 10" underbin augers. Lefthand and righthand augers. Sleeved or flanged mount. Electric or hydraulic drive.

Vertical Bin Unload, Single Drive

Available for 6", 8", and 10" underbin systems.
Sleeved (left and righthand flight) or flanged (righthand only) mount.

CAPACITIES

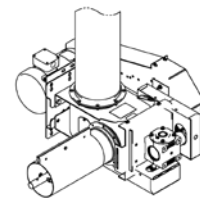
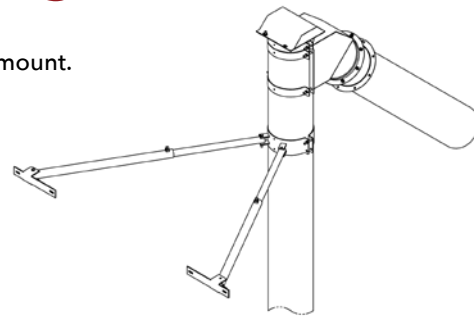
Underbin Auger	Vertical Auger	Approximate Capacities
6"	8"	1,200 BPH
8"	10"	2,200 - 2,600 BPH
10"	12"	3,600 - 3,800 BPH

SPECIFICATIONS

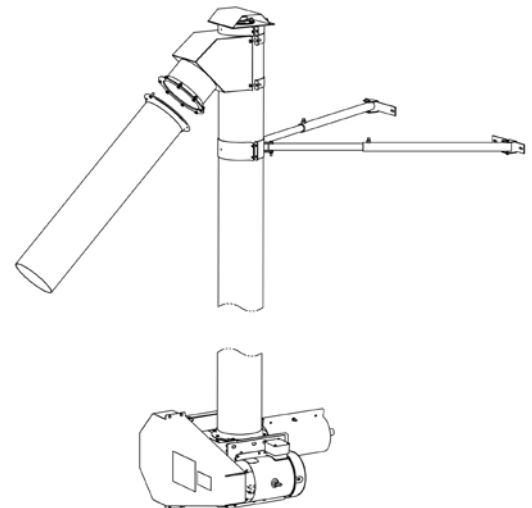
Auger Dia.	Tube Ga.	Flight Ga.	Flight Pipe	Flight Shaft
6"	14	10	1-1/4"	1"
8"	14	3/16"	1-1/2"	1-1/4"
10"	12	3/16"	2-1/2"	1-1/2"
12"	12	1/4"	2-7/8"	1-1/2"

REACH & ELEVATION

Auger Transition	A	B	C	D
6" - 8"	32.6"	13'-2.5"	57"	15"
8" - 10"	40.8"	12'-9"	65"	16"
10" - 12"	40"	12'-10.5"	67"	17"



Electric motor shown ordered separately.



Powerheads (PAGE 2 OF 9)

PRICING GUIDE

Gearbox/chain drive. Includes auger pulleys, belts, belt guard, 45° round spout, and a bin wall bracket. Order the motor pulley(s) as noted for your motor shaft size. Pulley sizes listed below. Add the horsepower below to the underbin auger horsepower. Horsepower and capacity may vary depending on material and condition. Sleeve mount available for right and lefthand underbin flights. Bolted flange mount available for righthand underbin flights only. Order motor separately.

NOTE: 8" and 10" vertical tubes are galvanized and 12" tubes are painted. 8" vertical tubes are sleeve mounted to the auger transition.

SLEEVE MOUNT - LEFTHAND FLIGHT						
UNDERBIN AUGER	VERTICAL AUGER	PART NO.	WT.	PRICE	HP REQ.*	MOTOR PULLEY REQ. (QUANTITY NEEDED)
6"	8" x 16 ft.	024933	(552)	\$3,859.00	5	BS30 (two)
8"	10" x 16 ft.	024935	(759)	\$5,136.00	7½	3B3.4 (one)
10"	12" x 16 ft.	024936	(955)	\$6,726.00	7½	4B4.2 (one)

*Add the horsepower above to the underbin auger horsepower

SLEEVE MOUNT - RIGHTHAND FLIGHT						
UNDERBIN AUGER	VERTICAL AUGER	PART NO.	WT.	PRICE	HP REQ.*	MOTOR PULLEY REQ. (QUANTITY NEEDED)
6"	8" x 16 ft.	024937	(578)	\$3,859.00	5	BS30 (two)
8"	10" x 16 ft.	024939	(761)	\$5,136.00	7½	3B3.4 (one)
10"	12" x 16 ft.	024940	(912)	\$6,726.00	7½	4B4.2 (one)

*Add the horsepower above to the underbin auger horsepower

FLANGE MOUNT - RIGHTHAND FLIGHT						
UNDERBIN AUGER	VERTICAL AUGER	PART NO.	WT.	PRICE	HP REQ.*	MOTOR PULLEY REQ. (QUANTITY NEEDED)
6"	8" x 16 ft.	024941	(571)	\$3,859.00	5	BS30 (two)
8"	10" x 16 ft.	024943	(711)	\$5,136.00	7½	3B3.4 (one)
10"	12" x 16 ft.	024944	(907)	\$6,726.00	7½	4B4.2 (one)

*Add the horsepower above to the underbin auger horsepower

ACCESSORIES, PULLEYS, BUSHINGS			
ITEM DESCRIPTION	PART NUMBER	WT.	PRICE
3B3.4 pulley, use SH bushing	025130	(4)	\$81.00
4B3.4 pulley, use SD bushing	032788	(5)	\$118.00
4B4.2 pulley, use SD bushing	032791	(6)	\$141.00
BS30 pulley, 5/8" bore	025513	(1)	\$28.70
BS30 pulley, 7/8" bore	025514	(1)	\$28.70
BS30 pulley, 1-1/8" bore	025515	(2)	\$29.00
SH bushing, 5/8" bore	025172	(1)	\$37.50
SH bushing, 7/8" bore	025174	(1)	\$37.50
SH bushing, 1-1/8" bore	025176	(1)	\$37.50
SH bushing, 1-3/8" bore	025178	(1)	\$37.50
SH bushing, 1-5/8" bore	025179	(1)	\$37.50
SD bushing, 1-1/8" bore	025156	(1)	\$44.80
SD bushing, 1-3/8" bore	025157	(1)	\$44.80
SD bushing, 1-5/8" bore	025159	(1)	\$44.80
Supplemental cable support kit	033516	(18)	\$263.00

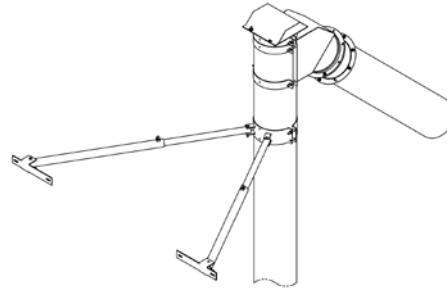
Powerheads (PAGE 3 OF 9)

Vertical Bin Unload, Double Drive

Available for 8" and 10" underbin systems. Sleeved (left and righthand flight) or flanged (righthand only) mount.

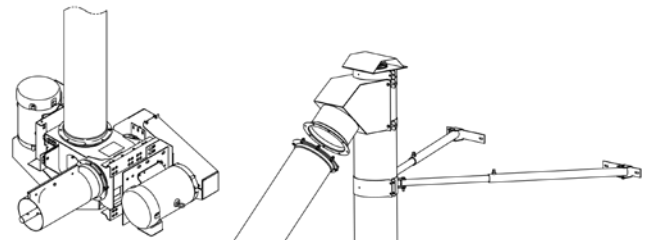
CAPACITIES

Underbin Auger	Vertical Auger	Approximate Capacities
8"	10"	2,200 - 2,600 BPH
10"	12"	3,600 - 3,800 BPH



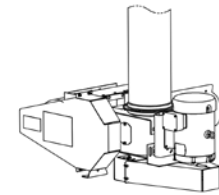
SPECIFICATIONS

Auger Dia.	Tube Ga.	Flight Ga.	Flight Pipe	Flight Shaft
8"	14	3/16"	1-1/2"	1-1/4"
10"	12	3/16"	2-1/2"	1-1/2"
12"	12	1/4"	2-7/8"	1-1/2"



REACH & ELEVATION

Auger Transition	A	B	C	D
8" - 10"	41"	12'-9"	65"	16"
10" - 12"	40.3"	12'-10.5"	67"	17"



Electric motor shown ordered separately.

PRICING GUIDE

Includes motor mounts, auger pulleys, belts, belt guards, 45° round spout, and a bin wall bracket. Order the motor pulley(s) as noted for your motor shaft size. Pulley sizes listed below. The horsepower here are for the vertical auger motor. Underbin auger motor horsepower can be found starting on page 8. Horsepower and capacity may vary depending on material and condition. Sleeve mount available for right and lefthand underbin flights. Bolted flange mount available for righthand underbin flights only. Order motors separately.

NOTE: 8" and 10" vertical tubes are galvanized. 12" tubes are painted. All vertical tubes are flange mounted to the transition.

SLEEVE MOUNT - LEFTHAND FLIGHT							
UNDERBIN AUGER	VERTICAL AUGER	PART NO.	WT.	PRICE	HP REQ.**	MOTOR PULLEY VERTICAL	MOTOR PULLEY HORIZONTAL
8"	10" x 16 ft.	042023	(668)	\$5,136.00	7½	2B4.0	3B3.4
10"	12" x 16 ft.	GH-1216E10DDL	(902)	\$6,726.00	7½	2B3.4	3B3.4
10"*	12" x 16 ft.	GH-1216E104DDL	(869)	\$6,856.00	7½	2B3.4	4B3.4*

* In bins 39 feet and larger, a 4 groove pulley is required for the underbin auger.

** This horsepower is for the vertical auger only. The bottom motor powers the underbin auger.

SLEEVE MOUNT - RIGHTHAND FLIGHT							
UNDERBIN AUGER	VERTICAL AUGER	PART NO.	WT.	PRICE	HP REQ.**	MOTOR PULLEY VERTICAL	MOTOR PULLEY HORIZONTAL
8"	10" x 16 ft.	040070	(666)	\$5,136.00	7½	2B4.0	3B3.4
10"	12" x 16 ft.	GH-1216E10DDR	(841)	\$6,726.00	7½	2B3.4	3B3.4
10"*	12" x 16 ft.	GH-1216E104DDR	(852)	\$6,856.00	7½	2B3.4	4B3.4*

* In bins 39 feet and larger, a 4 groove pulley is required for the underbin auger.

** This horsepower is for the vertical auger only. The bottom motor powers the underbin auger.

Powerheads (PAGE 4 OF 9)

FLANGE MOUNT - RIGHTHAND FLIGHT							
UNDERBIN AUGER	VERTICAL AUGER	PART NO.	WT.	PRICE	HP REQ.**	MOTOR PULLEY VERTICAL	MOTOR PULLEY HORIZONTAL
8"	10" x 16 ft.	040138	(545)	\$5,136.00	7½	2B4.0	3B3.4
10"	12" x 16 ft.	GH-1216E10DDRF	(845)	\$6,726.00	7½	2B3.4	3B3.4
10"*	12" x 16 ft.	GH-1216E104DDRF	(865)	\$6,856.00	7½	2B3.4	4B4.2*

* In bins 39 feet and larger, a 4 groove pulley is required for the underbin auger.
 ** This horsepower is for the vertical auger only. The bottom motor powers the underbin auger.

ACCESSORIES, PULLEYS, BUSHINGS				
ITEM DESCRIPTION	PART NUMBER	WT.	PRICE	
2B3.4 pulley, use SH bushing	025119	(3)	\$70.40	
2B4.0 pulley, use SH bushing	032794	(3)	\$82.90	
3B3.4 pulley, use SH bushing	025130	(4)	\$81.00	
4B3.4 pulley, use SD bushing	032788	(5)	\$118.00	
4B4.2 pulley, use SD bushing	032791	(6)	\$141.00	
SH bushing, 5/8" bore	025172	(1)	\$37.50	
SH bushing, 7/8" bore	025174	(1)	\$37.50	
SH bushing, 1-1/8" bore	025176	(1)	\$37.50	
SH bushing, 1-3/8" bore	025178	(1)	\$37.50	
SH bushing, 1-5/8" bore	025179	(1)	\$37.50	
SD bushing, 1-1/8" bore	025156	(1)	\$44.80	
SD bushing, 1-3/8" bore	025157	(1)	\$44.80	
SD bushing, 1-5/8" bore	025159	(1)	\$44.80	
Supplemental cable support kit	033516	(18)	\$263.00	

Powerheads (PAGE 5 OF 9)

Inclined Bin Unload, Right Angle

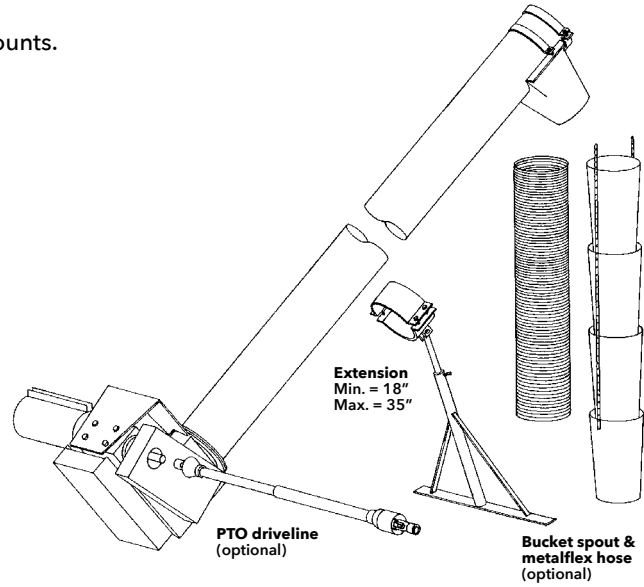
Available for 6", 8" and 10" underbin systems.
 PTO drive available with sleeve mounts.
 Electric drive available with sleeve or bolted flange mounts.
 For lefthand underbin flights only.

CAPACITIES

Underbin Auger	Inclined Auger	Approximate Capacities
6"	8"	1,000 - 1,200 BPH
8"	10"	2,200 - 2,400 BPH
10"	12"	3,600 - 3,800 BPH

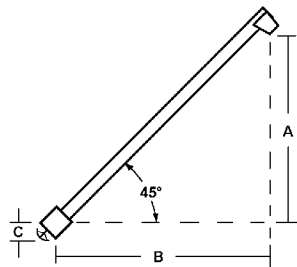
SPECIFICATIONS

Auger Dia.	Tube Ga.	Flight Ga.	Flight Pipe	Flight Shaft
6"	14	10	1-1/4"	1"
8"	14	3/16"	1-1/2"	1-1/4"
10"	12	3/16"	2-1/2"	1-1/2"
12"	12	1/4"	2-7/8"	1-1/2"



REACH & ELEVATION

Auger Transition	A	B	C
6" to 8" x 16 ft.	11'-9"	11'-9"	8"
8" to 10" x 16 ft.	12'	12'	10"
8" to 10" x 20 ft.	15'	12'	10"
10" to 12" x 20 ft.	15'	15'	12"



PRICING GUIDE

Gearbox and chain drive. Includes a 90° spout. Electric drives are similar to vertical augers on page 14. Order a motor pulley based on your motor shaft size. Pulley sizes are listed below. Add the horsepower below to the underbin auger horsepower. Horsepower and capacity may vary with material and conditions. PTO drivelines are not included, order separately. Order motors separately. Ship weights in parentheses.

NOTE: 8" and 10" inclined tubes are galvanized. 12" inclined tubes are painted.

INCLINED BIN UNLOAD, RIGHT ANGLE									
UNDERBIN AUGER	INCLINED AUGER	SLEEVE MOUNT, LEFTHAND FLIGHT			FLANGE MOUNT, LEFTHAND FLIGHT			HP REQ.	MOTOR PULLEY REQ.
		PART NO.	WT.	PRICE	PART NO.	WT.	PRICE		
6"	8" x 16 ft.	GH-816E6L	(385)	\$3,945.00	GH-816E6LF	(385)	\$3,945.00	5	BS30 (two)
	8" x 16 ft.	GH-816P6L	(365)	\$3,209.00	-	-	-	-	PTO
	8" x 20 ft.	GH-820P6L	(400)	\$3,581.00	-	-	-	-	PTO
8"	10" x 16 ft.	GH-1016E8L	(575)	\$5,288.00	GH-1016E8LF	(575)	\$5,288.00	7½	3B3.4 (one)
	10" x 16 ft.	GH-1016P8L	(545)	\$4,775.00	-	-	-	-	PTO
	10" x 20 ft.	GH-1020P8L	(625)	\$5,395.00	-	-	-	-	PTO
10"	12" x 20 ft.	GH-1220P10L	(1,120)	\$6,978.00	-	-	-	-	PTO

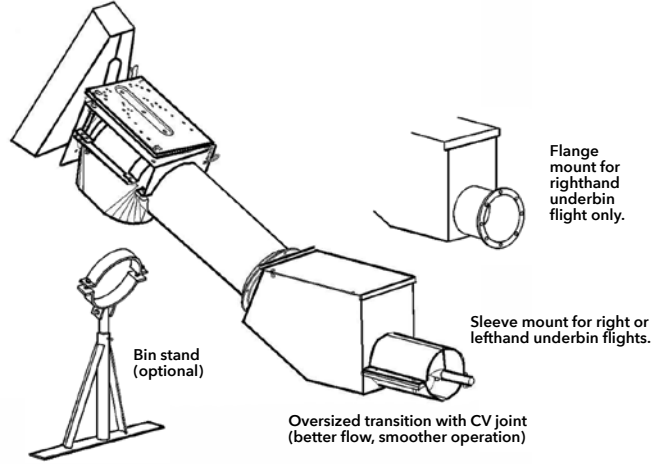
Powerheads (PAGE 6 OF 9)

ACCESSORIES, PULLEYS, BUSHINGS			
ITEM DESCRIPTION	PART NUMBER	WT.	PRICE
Flex spout, 8" x 4 Ft.	008234	(29)	\$214.00
Flex spout, 10" x 4 Ft.	001034	(45)	\$244.00
Flex spout, 12" x 4 Ft.	001034	(45)	\$244.00
Metal flex hose, 8" x 36"	005333	(16)	\$111.00
Metal flex hose, 10" x 36"	005340	(13)	\$185.00
Metal flex hose, 12" x 36"	005340	(13)	\$185.00
Inclined bin stand, 8"	033510	(28)	\$266.00
Inclined bin stand, 10"	033511	(29)	\$333.00
Inclined bin stand, 12"	033512	(32)	\$459.00
PTO driveline	600025	(45)	\$829.00
BS30 pulley, 5/8" bore	025513	(1)	\$28.70
BS30 pulley, 7/8" bore	025514	(1)	\$28.70
BS30 pulley, 1-1/8"bore	025515	(2)	\$29.00
3B3.4 pulley, use SH bushing	025130	(4)	\$81.00
SH bushing, 5/8" bore	025172	(1)	\$37.50
SH bushing, 7/8" bore	025174	(1)	\$37.50
SH bushing, 1-1/8"bore	025176	(1)	\$37.50
SH bushing, 1-3/8"bore	025178	(1)	\$37.50
SH bushing, 1-5/8"bore	025179	(1)	\$37.50

Powerheads (PAGE 7 OF 9)

Inclined Bin Unload, 27°

Available for 6", 8" and 10" underbin systems.
 Sleeve mount for right or lefthand underbin flights.
 Bolted flange mount for righthand underbin flights.
 Electric or hydraulic drive.



CAPACITIES

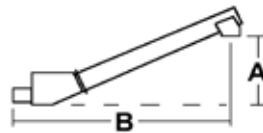
Underbin Auger	Inclined Auger	Approximate Capacities
6"	8"	1,000 BPH
8"	10"	2,000 BPH
10"	12"	3,200 BPH

SPECIFICATIONS

Auger Dia.	Tube Ga.	Flight Ga.	Flight Pipe	Flight Shaft
6"	14	10	1-1/4"	1"
8"	14	3/16"	1-1/2"	1-1/4"
10"	12	3/16"	2-1/2"	1-1/2"
12"	12	1/4"	2-7/8"	1-1/2"

REACH & ELEVATION

Auger Transition	5 ft. Incline		7 ft. Incline	
	A	B	A	B
6" to 8"	17"	60"	28"	82"
8" to 10"	17"	60"	28"	82"
10" to 12"	-	-	33"	100"



BIN SIZE - DRIVE RECOMMENDATIONS

Underbin Auger	Incline Auger	Bin Diameters - Electric Drive			Hydraulic Drive
		1 Belt	2 Belt	3 Belt	
6"	8" x 5'	15' - 36'	42' - 49½'	-	Use "H" Series 6.2 CID motor for all bins.
	8" x 7'	15' - 36'	42' - 49½'	-	
8"	10" x 5'	-	15' - 33'	34' - 49½'	
	10" x 7'	-	15' - 33'	34' - 49½'	
10"	12" x 7'	-	-	All sizes	

Powerheads (PAGE 8 OF 9)

PRICING GUIDE

Electric drives include a motor mount, auger pulley, belt(s), and belt guard. Order a motor pulley based on your motor shaft size. Pulley sizes are listed below. Add the horsepower below to the Underbin auger horsepower. Hydraulic drives have a motor mount and spline coupler. Order motors separately. Horsepower and capacity figures may vary with material and conditions. The optional bin stand or cable kit support the auger on the bin. Ship weight in parenthesis.

NOTE: All bin unloaders on this page require either a 27° inclined bin stand or 27° inclined cable kit for support.

INCLINED BIN UNLOAD, 27°								
UNDER-BIN AUGER	INCLINE AUGER	SLEEVE MOUNT, LEFTHAND FLIGHT	SLEEVE MOUNT, RIGHTHAND FLIGHT	FLANGE MOUNT, RIGHTHAND FLIGHT	WT.	PRICE	HP REQ.	MOTOR PULLEY REQUIRED
6"	8" x 5'	044060	044061	044062	(172)	\$1,608.00	1	BS30 (one)
		044063	044064	044065	(178)	\$1,684.00	1	BS30 (two)
		044066	044067	044068	(139)	\$1,685.00	Hydraulic drive	
6"	8" x 7'	044070	044071	044072	(185)	\$1,731.00	1½	BS30 (one)
		044073	044074	044075	(191)	\$1,826.00	1½	BS30 (two)
		044076	044077	044078	(152)	\$1,776.00	Hydraulic drive	
8"	10" x 5'	044080	044081	044082	(229)	\$2,469.00	1½	2B3.4 (one)
		044083	044084	044085	(303)	\$2,549.00	1½	3B3.4 (one)
		044086	044087	044088	(185)	\$2,545.00	Hydraulic drive	
8"	10" x 7'	044090	044091	044092	(268)	\$2,631.00	2	2B3.4 (one)
		044093	044094	044095	(305)	\$2,724.00	2	3B3.4 (one)
		044096	044097	044098	(189)	\$3,111.00	Hydraulic drive	
10"	12" x 7'	060610	060611	060612	(310)	\$3,786.00	3	3B3.6 (one)

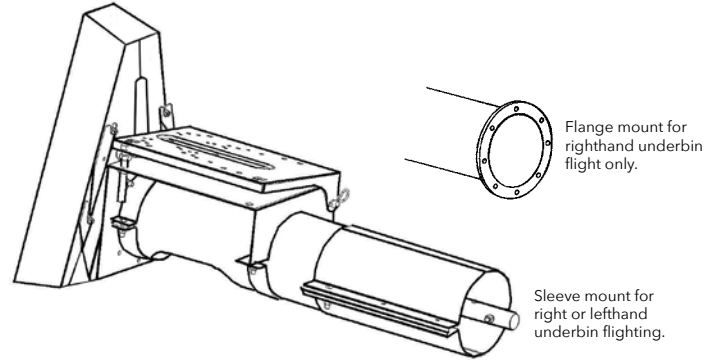
ACCESSORIES, PULLEYS, BUSHINGS				
ITEM DESCRIPTION	PART NUMBER	WT.	PRICE	
27° inclined bin stand*, 8"	033513	(12)	\$114.00	
27° inclined bin stand*, 10"	033514	(12)	\$164.00	
27° inclined bin stand*, 12"	033515	(30)	\$254.00	
27° inclined cable kit	033516	(18)	\$263.00	
BS30 pulley, 5/8" bore	025513	(1)	\$28.70	
BS30 pulley, 7/8" bore	025514	(1)	\$28.70	
BS30 pulley, 1-1/8" bore	025515	(2)	\$29.00	
2B3.4 pulley, use SH bushing	025119	(3)	\$70.40	
3B3.4 pulley, use SH bushing	025130	(4)	\$81.00	
3B3.6 pulley, use SH bushing	025131	(4)	\$83.50	
SH bushing, 5/8" bore	025172	(1)	\$37.50	
SH bushing, 7/8" bore	025174	(1)	\$37.50	
SH bushing, 1-1/8" bore	025176	(1)	\$37.50	
SH bushing, 1-3/8" bore	025178	(1)	\$37.50	
SH bushing, 1-5/8" bore	025179	(1)	\$37.50	

*Bin stand has 18" to 35" distance between the ground and bottom of the tube clamp.

Powerheads (PAGE 9 OF 9)

Horizontal Bin Unload

Available for 6", 8" and 10" underbin systems.
 Sleeve mount for right or lefthand underbin flights.
 Bolted flange mount for righthand underbin flights.
 Electric or hydraulic drive.



CAPACITIES

Auger	Approximate Capacities
6"	1,000 - 1,200 BPH
8"	2,200 - 2,600 BPH
10"	3,600 - 3,800 BPH

BIN SIZE - DRIVE RECOMMENDATIONS

Discharge Auger	Bin Diameters - Electric Drive		Hydraulic Drive
	1 Belt	2 Belt	
6"	15' - 49½'	-	Use "H" Series 6.2 CID motor for all bins.
8"	15' - 33'	34' - 49½'	
10"	-	15' - 49½'	

SPECIFICATIONS

Auger Diameter	Tube Ga.	Flight Ga.	Flight Pipe	Flight Shaft
6"	14	10	1-1/4"	1"
8"	14	3/16"	1-1/2"	1-1/4"
10"	12	3/16"	2-1/2"	1-1/2"

PRICING GUIDE

Electric drives include a motor mount, auger pulley, belt(s), and belt guard. Order a motor pulley based on your motor shaft size. Pulley sizes are listed here. Hydraulic drives include a motor mount and spline coupler. Electric and hydraulic motors are ordered separately.

UNDERBIN AUGER	SLEEVE MOUNT LEFTHAND FLIGHT	SLEEVE MOUNT RIGHTHAND FLIGHT	FLANGE MOUNT RIGHTHAND FLIGHT	WT.	PRICE	MOTOR PULLEY REQ.
6" x 2 ft.	060598	060599	060600	(40)	\$516.00	BS30 (one)
	060601	060602	060603	(46)	\$586.00	BS30 (two)
	GH-330HL	GH-330HR	GH-330HRF	(35)	\$596.00	Hydraulic
8" x 2 ft.	044010	044011	044012	(55)	\$641.00	BS30 (one)
	044013	044014	044015	(61)	\$721.00	BS30 (two)
	GH-430HL	GH-430HR	GH-430HRF	(50)	\$706.00	Hydraulic
10" x 2 ft.	044030	044031	044032	(150)	\$1,174.00	2B3.4 (one)
	GH-530HL	GH-530HR	GH-530HRF	(140)	\$1,059.00	Hydraulic

ACCESSORIES, PULLEYS, BUSHINGS

ITEM DESCRIPTION	PART NUMBER	WT.	PRICE
BS30 pulley, 5/8" bore	025513	(1)	\$28.70
BS30 pulley, 7/8" bore	025514	(1)	\$28.70
BS30 pulley, 1-1/8" bore	025515	(2)	\$29.00
2B3.4 pulley, use SH bushing	025119	(3)	\$70.40
SH bushing, 5/8" bore	025172	(1)	\$37.50
SH bushing, 7/8" bore	025174	(1)	\$37.50
SH bushing, 1-1/8" bore	025176	(1)	\$37.50
SH bushing, 1-3/8" bore	025178	(1)	\$37.50
SH bushing, 1-5/8" bore	025179	(1)	\$37.50

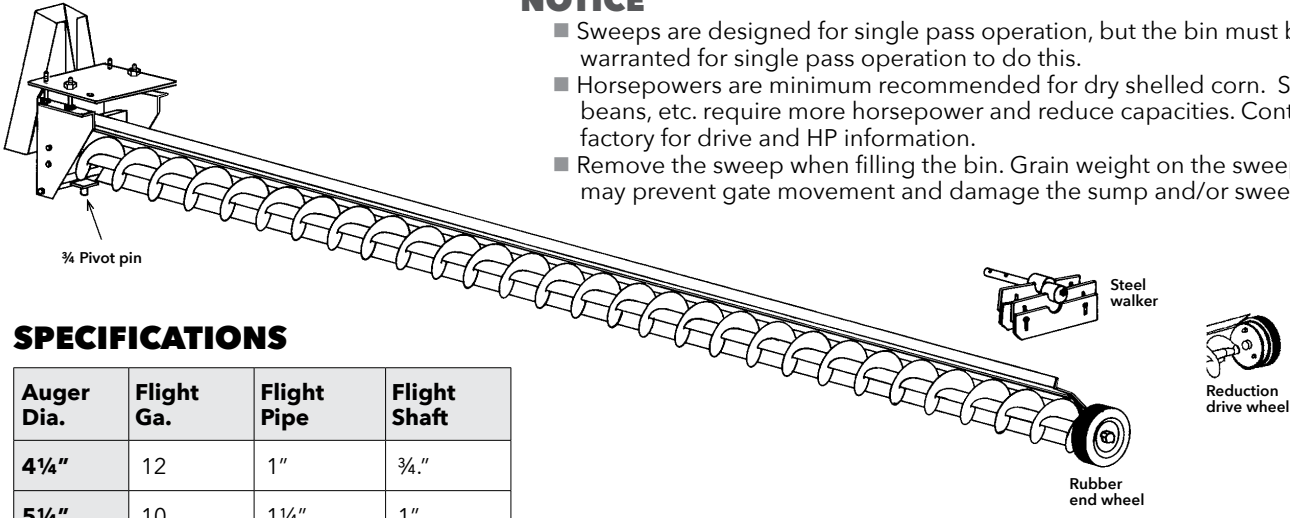
UNDERBIN SYSTEMS

Bin Sweep Augers (PAGE 1 OF 3)

Available in 4-1/4" for 6" underbin augers, 5-1/4" for 8" and 7-1/4" for 10" underbin augers. Modular design fits a variety of bin sizes. 7-1/2' or 9' basic sections with motor mount and wheel or walkers. Extension sections in 1-1/2', 3', 4-1/2' 6' and 9' lengths. Mix basic section with extensions as necessary to fit multiple bin diameters.

NOTICE

- Sweeps are designed for single pass operation, but the bin must be warranted for single pass operation to do this.
- Horsepowers are minimum recommended for dry shelled corn. Soybeans, etc. require more horsepower and reduce capacities. Contact factory for drive and HP information.
- Remove the sweep when filling the bin. Grain weight on the sweep may prevent gate movement and damage the sump and/or sweep.



SPECIFICATIONS

Auger Dia.	Flight Ga.	Flight Pipe	Flight Shaft
4 1/4"	12	1"	3/4."
5 1/4"	10	1 1/4"	1"
7 1/4"	3/16"	1 1/2"	1 1/4"

DETERMINING LENGTH AND HORSEPOWER

Sweep Lengths				Sweep Lengths - Chief/York bins				Horsepower Required		
Bin Dia.	Sweep Length	Basic Length	Extension Length	Bin Dia.	Sweep Length	Basic Length	Extension Length	4 1/4" Flight	5 1/4" Flight	7 1/4" Flight
15'	7 1/2'	7 1/2'	—	15'6"	7 1/2'	7 1/2'	—	3/4	3/4	—
18'	9'	9'	—	18'7"	9'	9'	—	3/4	1	2
21'	10 1/2'	9'	1 1/2'	21'8"	10 1/2'	9'	1 1/2'	1	1	2
24'	12'	9'	3'	24'9"	12'	9 1/2'	3'	1	1 1/2	3
27'	13 1/2'	9'	4 1/2'	27'10"	13'-11"	9 1/2'	4 1/2'	1 1/2	1 1/2	3
30'	15'	9'	6'	30'11"	15'-5"	9 1/2'	6'	1 1/2	2	3
33'	16 1/2'	9'	6' - 1 1/2'	34'	16'-11"	9 1/2'	6' - 1 1/2'	1 1/2	2	5
36'	18'	9'	9'	37'1"	18'-5"	9 1/2'	9'	1 1/2	2	5
42'	21'	9'	9' - 3'	40'3"	19'-11"	9 1/2'	9' - 1 1/2'	2	3	5
48'	24'	9'	9' - 6'	43'4"	21'-5"	9 1/2'	9' - 3'	2	3	5
—	—	—	—	49'6"	24'-5"	9 1/2'	9' - 6'	2	3	5

Bin Sweep Augers (PAGE 2 OF 3)

PRICING GUIDE

Basic sweep includes flighting, backshield, driven pulley(s), belt(s), and a rubber wheel or steel walker. Sweep extension includes flighting, backshield, and 2-pc. oil impregnated wood block bearing(s). Order motor pulley and motor separately. Note: two 1½' extensions cannot be used together.

BIN SWEEP AUGERS										
ITEM DESCRIPTION		4¼" SWEEP (FOR 6" UNDERBIN)			5¼" SWEEP (FOR 8" UNDERBIN)			7¼" SWEEP (FOR 10" UNDERBIN)		
		PART NO.	WT.	PRICE	PART NO.	WT.	PRICE	PART NO.	WT.	PRICE
Basic sweep, 7½'	with wheel	033201	(80)	\$579.00	033208	(94)	\$668.00	-	-	-
	with walker	013854	(79)	\$671.00	013856	(96)	\$754.00	-	-	-
Basic sweep, 9'	with wheel	033202	(86)	\$618.00	033209	(106)	\$728.00	013749	(206)	\$1,576.00
	with walker	013855	(96)	\$711.00	013857	(107)	\$817.00	013858	(217)	\$1,684.00
Basic sweep, 9½' (Chief/York bins)	with wheel	014006	(93)	\$655.00	014008	(103)	\$767.00	014010	(211)	\$1,647.00
	with walker	014007	(99)	\$741.00	014009	(108)	\$853.00	014011	(223)	\$1,733.00
Sweep extension	1½'	033203	(17)	\$85.60	033210	(21)	\$91.50	013750	(27)	\$144.00
	3'	033204	(26)	\$105.00	033211	(33)	\$133.00	013751	(44)	\$211.00
	4½'	033205	(36)	\$147.00	033212	(45)	\$191.00	013752	(60)	\$318.00
	6'	033206	(47)	\$151.00	033213	(57)	\$237.00	013753	(76)	\$434.00
	9'	033207	(64)	\$268.00	033214	(79)	\$360.00	013754	(109)	\$627.00
Motor pulley	56 frame	025513	(1)	\$28.70	025513	(1)	\$28.70	-	-	-
	143-145T frame*	025514	(1)	\$28.70	025514	(1)	\$28.70	025514	(1)	\$28.70
	182-184T frame*	025515	(2)	\$29.00	025515	(2)	\$29.00	025515	(2)	\$29.00

* Sweeps for 10" underbins are 2 belt drive. Order two motor pulleys.

Sweep Auger Quick Price Guide

PRICING GUIDE

Pricing includes a basic sweep, sweep extensions, and complete motor mount with all pulleys, & belt ass'y. Motor is not included. Quick detach motor mount option is sold separately.

BIN DIAMETER	6" SYSTEM WITH WHEEL			8" SYSTEM WITH WHEEL			10" SYSTEM WITH WHEEL		
	PART NO.	HP	PRICE	PART NO.	HP	PRICE	PART NO.	HP	PRICE
15'	036800	¾	\$607.00	036801	¾	\$696.00	-	-	-
15'6"	036802	¾	\$607.00	036803	¾	\$696.00	-	-	-
18'	036804	¾	\$646.00	036805	1	\$756.00	036806	2	\$1,633.00
18'7"	036807	1	\$646.00	036808	1	\$756.00	036809	2	\$1,633.00
21'	036810	1	\$732.00	036811	1	\$848.00	036812	2	\$1,776.00
21'8"	036813	1	\$732.00	036814	1	\$849.00	036815	2	\$1,776.00
24'	036816	1	\$751.00	036817	1½	\$889.00	036818	3	\$1,843.00
24'9"	036819	1	\$751.00	036820	1½	\$929.00	036821	3	\$1,914.00
27'	036822	1½	\$793.00	036823	1½	\$945.00	036824	3	\$1,951.00
27'10"	036825	1½	\$830.00	036826	1½	\$985.00	036827	3	\$2,022.00
30'	036828	1½	\$796.00	036829	2	\$992.00	036830	3	\$2,065.00
30'11"	036831	1½	\$833.00	036832	2	\$1,032.00	036833	3	\$2,137.00
33'	036834	1½	\$882.00	036835	2	\$1,084.00	036836	5	\$2,208.00
34'	036837	1½	\$920.00	036838	2	\$1,124.00	036839	5	\$2,279.00
36'	036840	1½	\$914.00	036841	2	\$1,116.00	036842	5	\$2,259.00
37'1"	036843	1½	\$952.00	036844	2	\$1,156.00	036845	5	\$2,331.00
40'3"	036846	2	\$1,037.00	036847	3	\$1,247.00	036848	5	\$2,474.00
42'	036849	2	\$1,019.00	036850	3	\$1,249.00	036851	5	\$2,469.00
43'4"	036852	2	\$1,056.00	036853	3	\$1,285.00	036854	5	\$2,541.00
48'	036855	2	\$1,064.00	036856	3	\$1,352.00	036857	5	\$2,692.00
49'6"	036858	2	\$1,101.00	036859	3	\$1,392.00	036860	5	\$2,763.00

BIN DIAMETER	6" SYSTEM WITH WALKER			8" SYSTEM WITH WALKER			10" SYSTEM WITH WALKER		
	PART NO.	HP	PRICE	PART NO.	HP	PRICE	PART NO.	HP	PRICE
15'	037624	¾	\$700.00	037625	¾	\$782.00	-	-	-
15'6"	037626	¾	\$700.00	037627	¾	\$782.00	-	-	-
18'	037628	¾	\$739.00	037629	1	\$846.00	037630	2	\$1,741.00
18'7"	037631	1	\$739.00	037632	1	\$847.00	037633	2	\$1,741.00
21'	037634	1	\$825.00	037635	1	\$938.00	037636	2	\$1,882.00
21'8"	037637	1	\$825.00	037638	1	\$938.00	037639	2	\$1,884.00
24'	037640	1	\$844.00	037641	1½	\$979.00	037642	3	\$1,951.00
24'9"	037643	1	\$844.00	037644	1½	\$979.00	037645	3	\$2,000.00
27'	037646	1½	\$885.00	037647	1½	\$1,035.00	037648	3	\$2,059.00
27'10"	037649	1½	\$914.00	037650	1½	\$1,071.00	037651	3	\$2,108.00
30'	037652	1½	\$889.00	037653	2	\$1,082.00	037654	3	\$2,173.00
30'11"	037655	1½	\$920.00	037656	2	\$1,117.00	037657	3	\$2,222.00
33'	037658	1½	\$975.00	037659	2	\$1,173.00	037660	5	\$2,316.00
34'	037661	1½	\$1,005.00	037662	2	\$1,209.00	037663	5	\$2,362.00
36'	037664	1½	\$1,007.00	037665	2	\$1,206.00	037666	5	\$2,367.00
37'1"	037667	1½	\$1,035.00	037668	2	\$1,240.00	037669	5	\$2,415.00
40'3"	037670	2	\$1,124.00	037671	3	\$1,332.00	037672	5	\$2,559.00
42'	037673	2	\$1,083.00	037674	3	\$1,336.00	037675	5	\$2,576.00
43'4"	037676	2	\$1,142.00	037677	3	\$1,373.00	037678	5	\$2,626.00
48'	037679	2	\$1,157.00	037680	3	\$1,441.00	037681	5	\$2,799.00
49'6"	037682	2	\$1,187.00	037683	3	\$1,477.00	037684	5	\$2,847.00

NOTE: Motor pulley(s) included in quick price guide pricing above.

UNDERBIN SYSTEMS

Bin Sweep Accessories

Quick detach motor mount makes motors easier to remove and sweeps lighter for moving in and out of bins. Reduction drive end wheel replaces standard rubber end wheel or steel walker. Bin sweep walker have the durability of steel wheel with better forward sweep advancement.



SWEEP WALKERS

Sweep walkers have the durability of steel wheels and the traction of rubber wheels. Offset cams produce a “walking” action for positive movement through grain. Height adjustment allows for floor clearance variations. Greasable bronze bearings provide easy movements and long life. Custom sizes are available for flight pipe sizes not listed.

Some sweep brands may require drilling the flight pipe to match the Walker.



REDUCTION DRIVE END WHEEL

The reduction drive end wheel slows the advancement of the sweep, increasing the wheel life, and ensuring the best sweep advancement.



QUICK DETACH MOTOR MOUNT

Replaces standard sweep motor mount with a quick detach motor plate. Makes removal of the motor easy, reducing the overall weight when moving the sweep in or out of the bin.

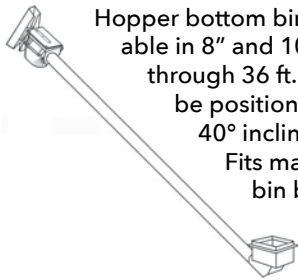
BIN SWEEP ACCESSORIES				
ITEM DESCRIPTION		PART NO.	WT.	PRICE
Quick detach motor mount (in lieu of std)	For 6" and 8" underbin	026208	(6)	\$178.00
	For 10" underbin	026278	(7)	\$192.00
Reduction drive end wheel (in lieu of std)	5¼", for 8" underbin	020092	(16)	\$371.00
	7¼", for 10" underbin	020093	(16)	\$376.00
Bin sweep walkers	For ¾" ID flight pipe	GHSW-1216	(8)	\$259.00
	For 13/16" ID flight pipe	GHSW-1316	(8)	\$259.00
	For 7/8" ID flight pipe	GHSW-1416	(8)	\$259.00
	For 1" ID flight pipe	GHSW-1616	(10)	\$268.00
	For 1¼" ID flight pipe	GHSW-2016	(11)	\$292.00
	For 1½" ID flight pipe	GHSW-2416	(8)	\$317.00
Replacement standard rubber end wheel	For 6" and 8" underbin	002189	(2)	\$53.20
	For 10" underbin	656172	(0)	\$76.50
Replacement shaft for standard rubber end wheel	For 6" underbin	033458	(1)	\$89.10
	For 8" underbin	033299	(0)	\$90.10
	For 10" underbin	013867	(2)	\$93.60
Pulley, 56 frame		025513	(1)	\$28.70
Pulley*, 143-145T		025514	(1)	\$28.70
Pulley*, 182-184T		025515	(2)	\$29.00

* Sweeps for 10" underbins are 2 belt drive. Order two motor pulleys.

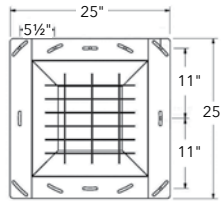
NOTES:

EXTERNAL BIN AUGERS

Hopper Bottom Bin Unloaders



Hopper bottom bin unloaders are available in 8" and 10" diameters for 18 through 36 ft. bins. The augers can be positioned from horizontal to 40° incline operating angles. Fits many popular hopper bin brands and sizes.



Bolt holes are slotted and curved to adapt to a wide range of bin flange hole patterns.



SPECIFICATIONS

Auger Dia.	Tube Ga.	Flight Ga.	Flight Pipe	Flight Shaft
8"	14	3/16"	1-1/2"	1-1/4"
10"	12	3/16"	2-1/2"	1-1/2"

Contact factory for special lengths or diameter augers.

CAPACITIES

Auger	Horizontal*	40° Incline*
8"	2,400 BPH	2,000 BPH
10"	5,000 BPH	4,000 BPH

*Conveying dry corn.

REACH AND ELEVATION (TRUCK HEIGHT)

	Bin Diameters					
	18'	21'	24'	27'	30'	36'
A	19' 10"	19' 10"	19' 10"	19' 10"	24' 6"	24' 6"
B	14' 9"	14' 9"	14' 9"	14' 9"	14' 9"	14' 9"

For 18'-27' bins, order a 25' auger.

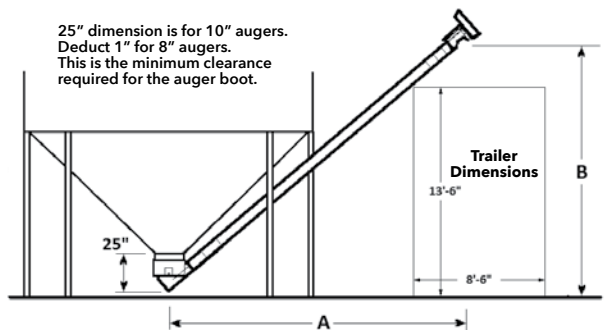
For 30'-36' bins, order a 29' auger.

REACH AND ELEVATION (40° INCLINE)

	Bin Diameters					
	18'	21'	24'	27'	30'	36'
A	14' 9"	14' 9"	14' 9"	14' 9"	17' 6"	17' 6"
B	19' 4"	19' 4"	19' 4"	19' 4"	22' 5"	22' 5"

For 18'-27' bins, order a 25' auger.

For 30'-36' bins, order a 29' auger.

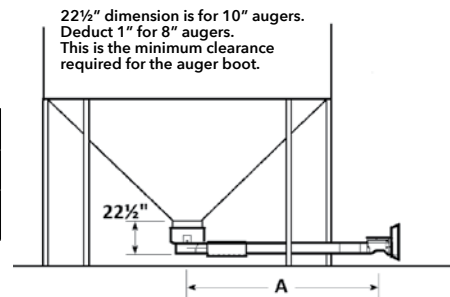


REACH (HORIZONTAL AUGER)

	Bin Diameters					
	18'	21'	24'	27'	30'	36'
A	13' 6"	15' 6"	15' 6"	17' 8"	19' 6"	21' 6"

For 18' bins, order a 15' auger.
For 21'-24' bins, order a 17' auger.
For 27' bins, order a 19' auger.

For 30' bins, order a 21' auger.
For 36' bins, order a 23' auger.



Hopper Bottom Bin Unloaders (PAGE 2 OF 2)

PRICING GUIDE

Includes a galvanized auger tube, intake hopper, bin attaching cable, motor mount, auger pulley, belts, belt guard, and 90° spout. Order the motor pulley and pulley hub separately. Hub selection will be based on motor shaft diameter. Ship weights are in parenthesis.

8" AUGER (TRUCK HEIGHT AND 40° INCLINE)						
BIN DIA.	PART NO.	DESCRIPTION	WT.	PRICE	HP	PULLEY*
18'	060264	8" x 25' Auger	(563)	\$5,314.00	7½	3B3.4
21'	060264	8" x 25' Auger	(563)	\$5,314.00	7½	3B3.4
24'	060265	8" x 25' Auger	(563)	\$5,327.00	7½	3B3.4
27'	060265	8" x 25' Auger	(563)	\$5,327.00	7½	3B3.4
30'	060266	8" x 29' Auger	(657)	\$6,163.00	7½	3B3.4
36'	060266	8" x 29' Auger	(657)	\$6,163.00	7½	3B3.4

8" AUGER (HORIZONTAL)						
BIN DIA.	PART NO.	DESCRIPTION	WT.	PRICE	HP	PULLEY*
18'	060259	8" x 15' Auger	(419)	\$3,190.00	3	2B3.4
21'	060260	8" x 17' Auger	(439)	\$3,621.00	5	2B3.4
24'	060260	8" x 17' Auger	(439)	\$3,621.00	5	2B3.4
27'	060261	8" x 19' Auger	(464)	\$4,041.00	5	2B3.4
30'	060262	8" x 21' Auger	(495)	\$4,463.00	5	2B3.4
36'	060263	8" x 23' Auger	(543)	\$4,889.00	5	2B3.4

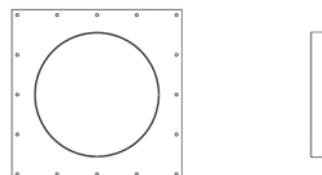
10" AUGER (TRUCK HEIGHT AND 40° INCLINE)						
BIN DIA.	PART NO.	DESCRIPTION	WT.	PRICE	HP	PULLEY*
18'	060293	10" x 25' Auger	(825)	\$7,310.00	10	3B3.4
21'	060293	10" x 25' Auger	(825)	\$7,310.00	10	3B3.4
24'	060294	10" x 25' Auger	(825)	\$7,323.00	10	3B3.4
27'	060294	10" x 25' Auger	(825)	\$7,323.00	10	3B3.4
30'	060295	10" x 29' Auger	(957)	\$8,865.00	10	3B3.4
36'	060295	10" x 29' Auger	(957)	\$8,865.00	10	3B3.4

10" AUGER (HORIZONTAL)						
BIN DIA.	PART NO.	DESCRIPTION	WT.	PRICE	HP	PULLEY*
18'	060288	10" x 15' Auger	(488)	\$4,431.00	5	2B3.4
21'	060289	10" x 17' Auger	(561)	\$5,058.00	5	2B3.4
24'	060289	10" x 17' Auger	(561)	\$5,058.00	5	2B3.4
27'	060290	10" x 19' Auger	(627)	\$5,592.00	7½	3B3.4
30'	060291	10" x 21' Auger	(693)	\$6,179.00	7½	3B3.4
36'	060292	10" x 23' Auger	(759)	\$6,732.00	7½	3B3.4

* Motor pulley required.

PULLEYS, BUSHINGS			
ITEM DESCRIPTION	PART NUMBER	WT.	PRICE
2B3.4 pulley, use SH bushing	025119	(3)	\$70.40
3B3.4 pulley, use SH bushing	025130	(4)	\$81.00
SH bushing, 5/8" bore	025172	(1)	\$37.50
SH bushing, 7/8" bore	025174	(1)	\$37.50
SH bushing, 1-1/8" bore	025176	(1)	\$37.50
SH bushing, 1-3/8" bore	025178	(1)	\$37.50
SH bushing, 1-5/8" bore	025179	(1)	\$37.50

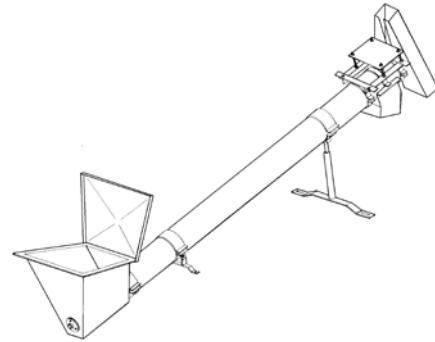
ADAPTOR PLATE		
ITEM DESCRIPTION	PART NUMBER	PRICE
17.25" round adaptor plate (fits 8" & 10" auger hoppers)	060790	\$121.00



Bin Roof Augers

Roof augers move the fill point down to the bin eave in limited access areas.

6, 8 and 10" diameter augers fit bins from 18 to 60' in diameter. A hopper with lid, discharge spout and auger mounting brackets are included.



CAPACITIES

Auger	Capacities (approx.)
6"	800-1,000 BPH
8"	1,800-2,200 BPH
10"	3,200-3,600 BPH

SPECIFICATIONS

Auger	Tube Ga.	Flight Ga.	Flight Pipe	Flight Shaft
6"	14	10	1-1/4"	1"
8"	14	3/16"	1-1/2"	1-1/4"
10"	12	3/16"	2-1/2"	1-1/2"

Contact factory for special lengths or diameter augers.

PRICING GUIDE

Includes a galvanized tube, intake hopper with lid, mounting brackets, motor mount, auger pulley(s), belt(s), belt guard, and 30° spout. Order a motor pulley(s) based on motor shaft diameter as noted. Motor pulleys for 10" augers require a pulley hub.

NOTE: Verify the required auger length. The auger hopper proximity to the roof edge will vary with the bin roof pitch. The last two digits in the part number indicate the auger length. Example: GHRA-611 = 11' auger length.

6" ROOF AUGERS					
BIN DIA.	PART. NO.	WT.	PRICE	HP	PULLEY*
18'	GHRA-611	(219)	\$1,809.00	1½	BS30
24'	GHRA-613	(236)	\$1,905.00	1½	BS30
30'	GHRA-617	(262)	\$2,100.00	1½	BS30
36'	GHRA-621	(304)	\$2,284.00	2	BS30
42'	GHRA-625	(417)	\$2,850.00	3	BS30
48'	GHRA-629	(453)	\$3,042.00	3	BS30
60'	GHRA-633	(570)	\$3,216.00	5	BS30**

*Motor pulley required.

**Requires two BS30 pulleys.

Bin Roof Augers (PAGE 2 OF 2)

8" ROOF AUGERS					
BIN DIA.	PART. NO.	WT.	PRICE	HP	PULLEY*
18'	GHRA-811	(288)	\$2,339.00	3	BS30
24'	GHRA-813	(317)	\$2,486.00	3	BS30
30'	GHRA-817	(406)	\$2,757.00	3	BS30
36'	GHRA-821	(458)	\$3,044.00	5	BS30**
42'	GHRA-825	(518)	\$3,701.00	5	BS30**
48'	GHRA-829	(576)	\$3,975.00	5	BS30**
60'	GHRA-833	(633)	\$4,314.00	5	BS30**

10" ROOF AUGERS					
BIN DIA.	PART. NO.	WT.	PRICE	HP	PULLEY*
18'	GHRA-1011	(379)	\$3,418.00	5	2B3.4
24'	GHRA-1013	(417)	\$3,729.00	5	2B3.4
30'	GHRA-1017***	(573)	\$4,367.00	5	2B3.4
36'	GHRA-1021***	(649)	\$4,850.00	7½	2B3.4
42'	GHRA-1025***	(821)	\$5,640.00	7½	2B3.4
48'	GHRA-1029***	(876)	\$5,999.00	7½	2B3.4
60'	GHRA-1033***	(1,033)	\$6,573.00	10	3B3.4

*Motor pulley required.

**Requires two BS30 pulleys.

***Includes hanger bearings.

ACCESSORIES, PULLEYS, BUSHINGS			
ITEM DESCRIPTION	PART NUMBER	WT.	PRICE
BS30 pulley, 5/8" bore	025513	(1)	\$28.70
BS30 pulley, 7/8" bore	025514	(1)	\$28.70
BS30 pulley, 1-1/8" bore	025515	(2)	\$29.00
2B3.4 pulley, use SH bushing	025119	(3)	\$70.40
3B3.4 pulley, use SH bushing	025130	(4)	\$81.00
SH bushing, 5/8" bore	025172	(1)	\$37.50
SH bushing, 7/8" bore	025174	(1)	\$37.50
SH bushing, 1-1/8" bore	025176	(1)	\$37.50
SH bushing, 1-3/8" bore	025178	(1)	\$37.50
SH Bushing, 1-5/8" bore	025179	(1)	\$37.50

POWER SWEEP SYSTEMS

IN THIS SECTION

Round Tube Power Sweep Systems (8" & 10").....Starting on page 32
U-Trough Power Sweep Systems (10" & 12").....Starting on page 42

POWER SWEEP SYSTEMS

Round Tube, 8" & 10" (PAGE 1 OF 10)

Sudenga's 8" and 10" round tube power sweeps are available for bins or silos to 61' 10" (8") and 80' 5" (10"). Standard features include heavy duty gearboxes, galvanized underbin tube and a sweep backshield designed to stay straight in the toughest conditions. Sudenga sweeps are designed for trouble-free installation for the bin or silo erector, long term reliability and easy ongoing maintenance for the owner. Installs in dryer floor or concrete floors with a trench.



- **Sweep carrier:** Standard on all sweeps in bins 54' and larger. Wheel design helps spread the weight on bin floors.
- **Intermediate sumps:** Factory installed. Adjustable tops for uneven bin floors. UHMW pads (8" sumps) or UHMW rollers (10" sumps) for smooth, positive gate operation.
- **Center sump:** Sweep engagement is inside lower gearbox. UHMW rollers (8" and 10" sumps) for smooth, positive gate operation. Large opening for less plugging. Low profile design for 13" floors.
- **Enclosed sweep start-up controls:** The sweep engagement operates in an oil-bath inside the lower gearbox. 1¼" shafts throughout. The sump design provides easy access to lower gearbox.



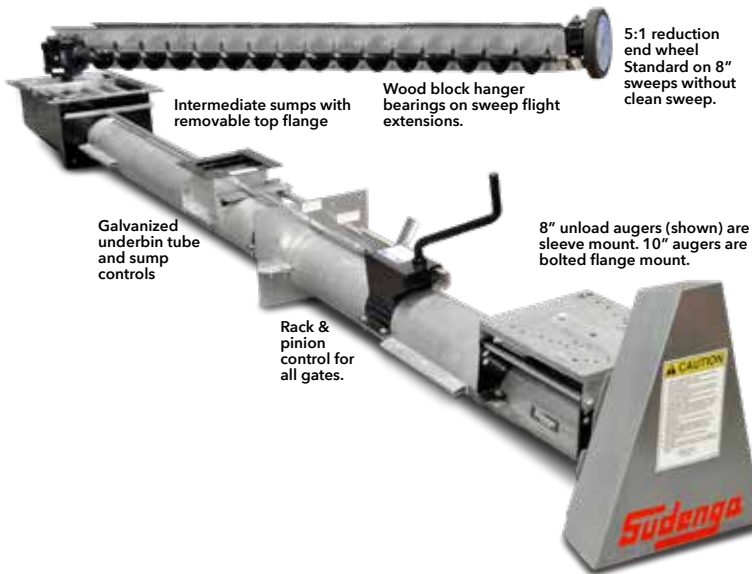
CLEAN SWEEP BRISTLE

Sudenga's clean sweep bristles drastically reduce the amount of grain left behind. Work smart, not hard.

Optional on 8" and 10" sweeps.

Performance varies depending on grain condition and condition of floor.

Round Tube Power Sweep, 8" & 10" (PAGE 2 OF 10)



⚠ NOTICE ⚠

Sweeps are designed for single pass operation, but the bin must be warranted for single pass operation to do this.

Horsepowers are the minimum recommended for dry shelled corn. Soybeans or other hard to convey material will require more horsepower and reduce capacities. Contact factory for drive and HP information.

The sweep auger must be positioned over the intermediate sumps before filling the bin.

Sweeps are designed for 60 HZ. Contact factory for 50 HZ.

Contact factory for explosion proof applications and bin sidewall heights over 60'.

CAPACITIES




Unloading Auger	8" System	10" System
Horizontal	2,400 BPH	5,500 BPH
27° Incline	2,400 BPH	4,800 BPH
Vertical	2,400 BPH	4,800 BPH

Capacities are approximate and for underbin auger only. Capacities are reduced when the sweep auger is engaged.

SPECIFICATIONS

	Flight Dia.	Flight Ga.	Flight Pipe	Flight Shaft
8" Underbin Auger	7¼"	3/16"	2½"	1½"
8" Sweep Auger	5¼"	3/16"	1¼"	1"
10" Underbin Auger	9¼"	¼"	2-7/8"	1½"
10" Sweep Auger	7¼"	¼"	1½"	1¼"

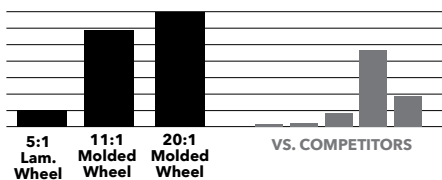
END WHEELS

	FOR 8" SYSTEMS		FOR 10" SYSTEMS	
	with clean sweep	no clean sweep	with clean sweep	no clean sweep
 5:1 Laminate Reduction End Wheel	-	Standard (All bin sizes)	-	-
 11:1 Molded End Wheel	Standard (All bin sizes)	Optional (Bins 36'+)	Standard (Bins up to 43'4")	Standard (Bins up to 43'4")
 20:1 Molded End Wheel	-	-	Standard (Bins 48'+)	Standard (Bins 48'+)

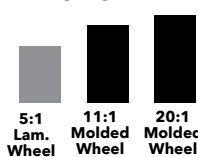
NEW MOLDED END WHEEL FEATURES:

- Universal 16" diameter molded tire for all bin sizes
- Increased amount of available tread to improve wear life
- Improved density for optimum balance between traction and life
- Deeper reductions for improved wheel life and traction

AVERAGE WHEEL LIFE

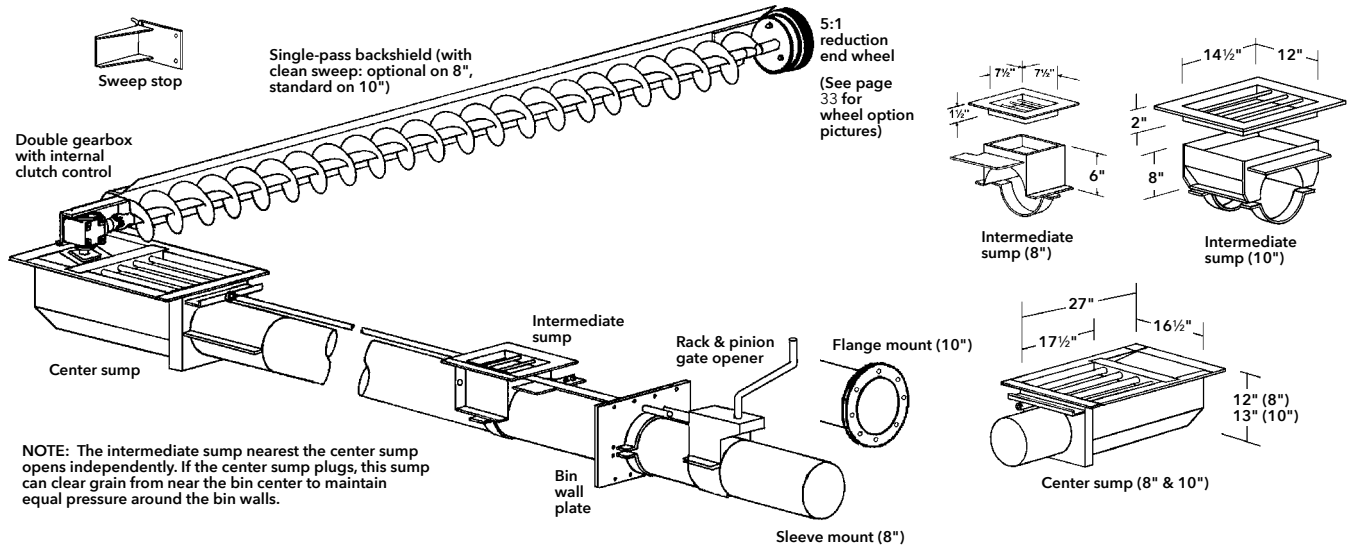


AVERAGE WHEEL TRACTION



NOTE: Traction and wheel life test data by Sudenga. Results may vary based on application.

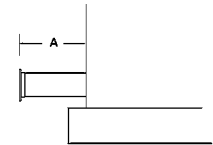
Round Tube Power Sweep, 8" & 10" (PAGE 3 OF 10)



8" Round Tube Power Sweeps

PRICING GUIDE

Power sweep systems are shipped complete with center and intermediate sumps, reduction drive wheel, bin wall plate, and control rods. Intermediate sump holes are pre-cut in the tube. Sweep flights are 2" smaller than underbin flights. A double gearbox with an internal clutch control powers the sweep auger. Unload augers are sleeve mount. Order motors and motor pulleys separate. Sweeps for bins 54' and larger include a sweep carrier wheel. Capacities are reduced when the sweep is engaged. Horsepowers here are for underbin/sweep augers only. Add unloading auger horsepower to get the total required.



"A" is the distance from the bin wall to the end of the underbin auger.

8" UNDERBIN SYSTEM									
BIN DIA.	5:1 LAMINATE WHEEL; W/O CLEAN SWEEP			11:1 MOLDED WHEEL; WITH CLEAN SWEEP			HP	SUMPS*	"A"
	PART NO.	WT.	PRICE	PART NO.	WT.	PRICE			
15'	GH-87015	(487)	\$4,041.00	GH-87015CSK	(522)	\$4,756.00	3	1	32"
18'	GH-87018	(522)	\$4,289.00	GH-87018CSK	(559)	\$5,004.00	3	1	32"
18'7"	GH-87019	(526)	\$4,289.00	GH-87019CSK	(560)	\$5,004.00	3	1	28½"
21'	GH-87021	(559)	\$4,444.00	GH-87021CSK	(596)	\$5,207.00	3	1	32"
21'8"	GH-87022	(559)	\$4,444.00	GH-87022CSK	(599)	\$5,207.00	5	1	28"
24'	GH-87024	(618)	\$4,659.00	GH-87024CSK	(661)	\$5,450.00	5	2	32"
24'9"	GH-87025	(622)	\$4,690.00	GH-87025CSK	(666)	\$5,481.00	7½	2	27½"
27'	GH-87027	(655)	\$4,730.00	GH-87027CSK	(701)	\$5,550.00	7½	2	32"
27'10"	GH-87028	(659)	\$4,785.00	GH-87028CSK	(706)	\$5,613.00	7½	2	27"
30'	GH-87030	(704)	\$4,914.00	GH-87030CSK	(752)	\$5,750.00	7½	2	32"
30'11"	GH-87031	(704)	\$4,914.00	GH-87031CSK	(757)	\$5,761.00	7½	2	26½"
33'	GH-87033	(755)	\$5,184.00	GH-87033CSK	(808)	\$6,053.00	7½	3	32"
34'	GH-87034	(755)	\$5,213.00	GH-87034CSK	(809)	\$6,091.00	7½	3	26"
36'	GH-87036	(795)	\$5,268.00	GH-87036CSK	(849)	\$6,152.00	7½	3	38"
37'1"	GH-87037	(796)	\$5,312.00	GH-87037CSK	(851)	\$6,204.00	7½	3	31½"
40'3"	GH-87040	(833)	\$5,707.00	GH-87040CSK	(891)	\$6,650.00	10	3	24½"
42'	GH-87042	(865)	\$5,787.00	GH-87042CSK	(925)	\$6,744.00	10	3	26"
43'4"	GH-87043	(891)	\$5,978.00	GH-87043CSK	(952)	\$6,949.00	10	3	36"
48'	GH-87048	(965)	\$7,137.00	GH-87048CSK	(1,043)	\$8,154.00	10	4	32"
49'6"	GH-87049	(976)	\$7,409.00	GH-87049CSK	(1,043)	\$8,431.00	10	4	29"
54'	GH-87054	(1,108)	\$8,675.00	GH-87054CSK	(1,180)	\$9,739.00	15	4	38"
55'8"	GH-87055	(1,138)	\$8,773.00	GH-87055CSK	(1,107)	\$9,796.00	15	4	28"
60'	GH-87060	(1,170)	\$10,329.00	GH-87060CSK	(1,248)	\$11,447.00	15	5	26"
61'10"	GH-87062	(1,340)	\$10,989.00	GH-87062CSK	(1,499)	\$11,735.00	15	5	27"

*Number of intermediate sumps required.

CHART CONTINUED ON NEXT PAGE >>>

Round Tube Power Sweep, 8" & 10" (PAGE 4 OF 10)

8" UNDERBIN SYSTEM						
BIN DIA.	11:1 MOLDED WHEEL; W/O CLEAN SWEEP			HP	SUMPS*	"A"
	PART NO.	WT.	PRICE			
36'	GH-87036M	(814)	\$5,861.00	7½	3	38"
37'1"	GH-87037M	(815)	\$5,905.00	7½	3	31½"
40'3"	GH-87040M	(852)	\$6,300.00	10	3	24½"
42'	GH-87042M	(884)	\$6,380.00	10	3	26"
43'4"	GH-87043M	(910)	\$6,571.00	10	3	36"
48'	GH-87048M	(984)	\$7,730.00	10	4	32"
49'6"	GH-87049M	(995)	\$8,002.00	10	4	29"
54'	GH-87054M	(1,032)	\$9,268.00	15	4	38"
55'8"	GH-87055M	(1,062)	\$9,311.00	15	4	28"
60'	GH-87060M	(1,090)	\$10,921.00	15	5	26"
61'10"	GH-87062M	(1,359)	\$11,209.00	15	5	27"

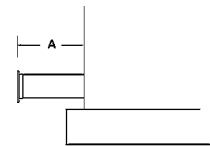
*Number of intermediate sumps required.

10" Round Tube Power Sweeps

PRICING GUIDE

Power sweep systems are shipped complete with center and intermediate sumps, reduction drive wheel, bin wall plate, and control rods. Intermediate sump holes are pre-cut in the tube. Sweep flights are 2" smaller than underbin flights. A double gearbox with an internal clutch control powers the sweep auger. Unload augers are flange mount. Order motors and motor pulleys separate. Sweeps for bins 54' and larger include a sweep carrier wheel. Capacities are reduced when the sweep is engaged. Horsepowers here are for underbin/sweep augers only. Add unloading auger horsepower to get the total required.

NOTE: For bin doors that protrude into bin, add "-S" to the sweep part number when ordering for a shorter sweep arm



"A" is the distance from the bin wall to the end of the underbin auger.

10" UNDERBIN SYSTEM									
BIN DIA.	11:1 MOLDED WHEEL; W/O CLEAN SWEEP			11:1 MOLDED WHEEL; WITH CLEAN SWEEP			HP	SUMPS*	"A"
	PART NO.	WT.	PRICE	PART NO.	WT.	PRICE			
15'	GH-107215	(615)	\$5,594.00	GH-107215CSK	(627)	\$5,716.00	5	1	32"
18'	GH-107218	(694)	\$5,811.00	GH-107218CSK	(712)	\$5,928.00	5	1	32"
18'7"	GH-107219	(694)	\$5,811.00	GH-107219CSK	(712)	\$5,928.00	5	1	28½"
21'	GH-107221	(752)	\$5,928.00	GH-107221CSK	(772)	\$6,097.00	7½	1	32"
21'8"	GH-107222	(752)	\$5,928.00	GH-107222CSK	(773)	\$6,090.00	7½	1	28"
24'	GH-107224	(844)	\$6,042.00	GH-107224CSK	(868)	\$6,241.00	7½	2	32"
24'9"	GH-107225	(848)	\$6,065.00	GH-107225CSK	(873)	\$6,271.00	7½	2	27½"
27'	GH-107227	(896)	\$6,349.00	GH-107227CSK	(922)	\$6,576.00	7½	2	32"
27'10"	GH-107228	(901)	\$6,379.00	GH-107228CSK	(929)	\$6,613.00	7½	2	27"
30'	GH-107230	(948)	\$6,687.00	GH-107230CSK	(977)	\$6,930.00	7½	2	32"
30'11"	GH-107231	(953)	\$6,702.00	GH-107231CSK	(987)	\$6,958.00	7½	2	26½"
33'	GH-107233	(1,018)	\$7,099.00	GH-107233CSK	(1,053)	\$7,376.00	7½	3	32"
34'	GH-107234	(1,024)	\$7,233.00	GH-107234CSK	(1,059)	\$7,518.00	10	3	26"
36'	GH-107236	(1,132)	\$7,401.00	GH-107236CSK	(1,167)	\$7,692.00	10	3	38"
37'1"	GH-107237	(1,138)	\$7,407.00	GH-107237CSK	(1,174)	\$7,706.00	10	3	31½"
39'	GH-107239	(1,233)	\$8,021.00	GH-107239CSK	(1,272)	\$8,356.00	10	3	30"
40'3"	GH-107240	(1,242)	\$8,021.00	GH-107240CSK	(1,281)	\$8,369.00	10	3	24½"
42'	GH-107242	(1,255)	\$8,391.00	GH-107242CSK	(1,296)	\$8,755.00	15	3	26"
43'4"	GH-107243	(1,302)	\$8,516.00	GH-107243CSK	(1,215)	\$8,894.00	15	3	36"

*Number of intermediate sumps required.

Round Tube Power Sweep, 8" & 10" (PAGE 5 OF 10)

10" UNDERBIN SYSTEM									
BIN DIA.	20:1 MOLDED WHEEL; W/O CLEAN SWEEP			20:1 MOLDED WHEEL; WITH CLEAN SWEEP			HP	SUMPS*	"A"
	PART NO.	WT.	PRICE	PART NO.	WT.	PRICE			
48'	GH-107248	(1,397)	\$9,085.00	GH-107248CSK	(1,445)	\$9,510.00	15	4	32"
49'6"	GH-107249	(1,417)	\$9,385.00	GH-107249CSK	(1,466)	\$9,813.00	15	4	29"
54'	GH-107254	(1,500)	\$10,644.00	GH-107254CSK	(1,554)	\$11,114.00	15	4	38"
55'8"	GH-107255	(1,571)	\$10,644.00	GH-107255CSK	(1,629)	\$11,129.00	15	4	28"
60'	GH-107260	(1,618)	\$11,674.00	GH-107260CSK	(1,677)	\$12,200.00	20	5	26"
61'10"	GH-107262	(1,650)	\$11,906.00	GH-107262CSK	(1,711)	\$12,450.00	20	5	27"
66'	GH-107266	(1,865)	\$12,955.00	GH-107266CSK	(1,926)	\$13,535.00	20	6	26"
68'1"	GH-107268	(1,889)	\$13,490.00	GH-107268CSK	(1,956)	\$14,090.00	20	6	25½"
72'	GH-107272	(1,010)	\$14,774.00	GH-107272CSK	(1,981)	\$15,411.00	20	6	26"
74'3"	GH-107274	(1,948)	\$15,520.00	GH-107274CSK	(2,021)	\$16,176.00	20	6	24½"
75'	GH-107275	(2,021)	\$15,650.00	GH-107275CSK	(2,094)	\$16,315.00	20	6	26"
75'11"	GH-107276	(2,028)	\$15,677.00	GH-107276CSK	(2,102)	\$16,350.00	20	7	26"
78'	GH-107278	(2,099)	\$16,232.00	GH-107278CSK	(2,175)	\$16,925.00	20	7	26"
80'5"	GH-107280	(2,092)	\$16,987.00	GH-107280CSK	(2,171)	\$17,705.00	20	7	29"

*Number of intermediate sumps required.

Underbin Auger Extensions

NOTE: Extends the discharge point away from the bin. The installer must provide adequate support for the length of extension being used. Add the horsepower here to the underbin and unloading auger horsepowers for the total horsepower required. 20 HP is the maximum allowable for all 8" sweeps and 10" sweeps with vertical unloaders. 30 HP is the maximum for all other 10" sweeps.

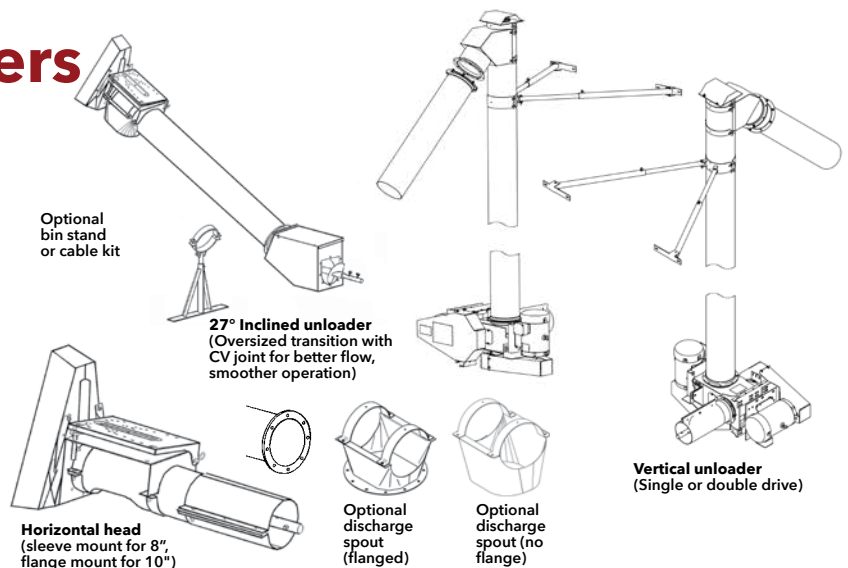
LENGTH	8" UNDERBIN				10" UNDERBIN			
	PART. NO.	HP	WT.	PRICE	PART. NO.	HP	WT.	PRICE
2'	060886	½	(300)	\$426.00	060880	1	(67)	\$532.00
4'	060887	1	(559)	\$671.00	060881	1½	(108)	\$748.00
5'	060888	1	(90)	\$793.00	060882	1½	(129)	\$881.00
6'	060889	1	(103)	\$916.00	060883	2	(148)	\$1,012.00
8'	060890	1½	(128)	\$1,163.00	060884	3	(189)	\$1,240.00
10'	060891	1½	(153)	\$1,366.00	060885	3	(232)	\$1,497.00

Unloading Augers

SPECIFICATIONS

Auger Dia.	Tube Ga.	Flight Ga.	Flight Pipe	Flight Shaft
8"	14	3/16"	2½"	1½"
10"	12	¼"	2-7/8"	1½"
12**	12	¼"	2-7/8"	1½"

* Applies to outside 12" inclined unloader only.



Round Tube Power Sweep, 8" & 10" (PAGE 6 OF 10)

PRICING GUIDE

Unloading augers for all 8" underbin augers have sleeve mount connectors.
 Unloading augers for all 10" underbin augers have bolted flange mount connectors.
 Order a motor pulley hub for your motor shaft diameter.

Belt recommendations: Use the HP for your bin diameter on the preceding pages to choose an unloading auger here. For 3 to 5 HP use a 2 belt drive; for 7½ to 10 HP use 3 belt drive; for 15 to 25 HP use 4 belt drive. Be sure to add the HP for the unloading auger here to the HP for the underbin auger to get the total needed.

UNLOADING AUGERS FOR 8" ROUND TUBE POWER SWEEPS						
UNLOADING AUGER	TUBE SIZE	HP	PULLEY REQ.	PART. NO.	WT.	PRICE
Horizontal head	8" x 30"	-	2B3.4	044101	(76)	\$704.00
			3B3.4	044102	(86)	\$826.00
			4B3.4	044103	(96)	\$949.00
Inclined head, 27°	10" x 5'	1½	2B3.4	044134	(170)	\$2,514.00
			3B3.4	044135	(180)	\$2,653.00
			4B3.4	044089	(190)	\$2,797.00
Inclined head, 27°	10" x 7'	2	2B3.4	044136	(210)	\$2,673.00
			3B3.4	044137	(220)	\$2,815.00
			4B3.4	044099	(230)	\$2,945.00
Vertical	10" x 16'	7½	3B3.4	GH-820016	(774)	\$5,065.00
			2B4.0*	042026	(721)	\$5,065.00
Discharge spout, flanged (for horizontal heads)				050617	(7)	\$147.00
Discharge spout, no flange (for horizontal heads)				050178	(7)	\$124.00
Bin stand (for inclined heads)				033514	(12)	\$164.00
Cable kit (for incline and vertical heads)				033516	(18)	\$263.00
UNLOADING AUGERS FOR 10" ROUND TUBE POWER SWEEPS						
UNLOADING AUGER	TUBE SIZE	HP	PULLEY REQ.	PART. NO.	WT.	PRICE
Horizontal head	10" x 30"	-	2B3.4	044100	(152)	\$1,319.00
			3B3.4	044115	(197)	\$1,397.00
			4B3.4	044116	(211)	\$1,557.00
Inclined head, 27°	12" x 5'	2	3B3.6	060621-5	(392)	\$3,510.00
			4B3.6	060622-5	(422)	\$3,603.00
Inclined head, 27°	12" x 7'	3	3B3.6	060621	(432)	\$3,664.00
			4B3.6	060622	(462)	\$3,757.00
Vertical	12" x 16'	10	3B3.4*	GH-830016	(919)	\$6,815.00
			3B3.4**	GH-830017	(915)	\$6,939.00
Discharge spout, flanged (for horizontal heads)				050826	(10)	\$170.00
Discharge spout, no flange (for horizontal heads)				050179	(6)	\$132.00
Bin stand (for inclined heads)				033515	(30)	\$254.00
Cable kit (for incline and vertical heads)				033516	(18)	\$263.00

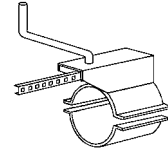
*Pulley for vertical auger. Order one 3B3.4 pulley for the underbin auger.

**Pulley for vertical auger. Order one 4B3.4 pulley for the underbin auger.

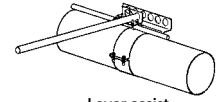
Gate Controls

NOTE: Rack & pinion controls come standard on all new power sweeps. Order here for retrofit on existing sweeps.

	8" AUGER			10" AUGER		
	PART NO.	WT.	PRICE	PART NO.	WT.	PRICE
Rack & pinion control	043628	(21)	\$252.00	043620	(20)	\$266.00
Lever assist	039445	(18)	\$144.00	039446	(20)	\$155.00



Rack & pinion control



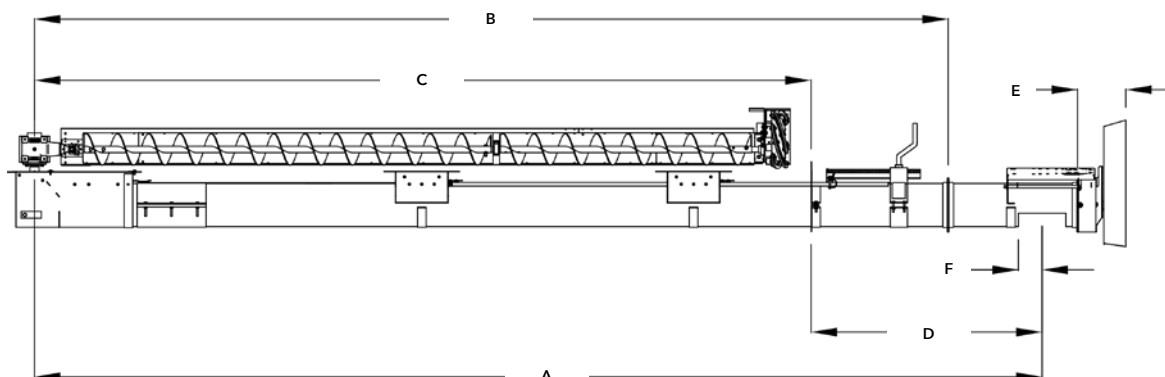
Lever assist

Pulleys, Bushings

PULLEYS, BUSHINGS				
PART NO.	ITEM DESCRIPTION	WEIGHT	PRICE	
025119	2B3.4 pulley, use SH bushing	(3)	\$70.40	
025121	2B3.8 pulley, use SH bushing	(3)	\$77.90	
025122	2B4.2 pulley, use SH bushing	(3)	\$84.50	
025130	3B3.4 pulley, use SH bushing	(4)	\$81.00	
025131	3B3.6 pulley, use SH bushing	(4)	\$83.50	
025132	3B3.8 pulley, use SH bushing	(4)	\$87.50	
025133	3B4.2 pulley, use SH bushing	(5)	\$95.60	
032788	4B3.4 pulley, use SD bushing	(5)	\$118.00	
032789	4B3.6 pulley, use SD bushing	(5)	\$121.00	
032791	4B4.2 pulley, use SD bushing	(6)	\$141.00	
025172	SH bushing, 5/8" bore	(1)	\$37.50	
025174	SH bushing, 7/8" bore	(1)	\$37.50	
025176	SH bushing, 1-1/8" bore	(1)	\$37.50	
025178	SH bushing, 1 3/8" bore	(1)	\$37.50	
025179	SH bushing, 1 5/8" bore	(1)	\$37.50	
025156	SD bushing, 1 1/8" bore	(1)	\$44.80	
025157	SD bushing, 1 3/8" bore	(1)	\$44.80	
025159	SD bushing, 1 5/8" bore	(1)	\$44.80	
034450	Sweep stop, 1989 & earlier	(10)	\$151.00	

Round Tube Power Sweep, 8" & 10" (PAGE 8 OF 10)

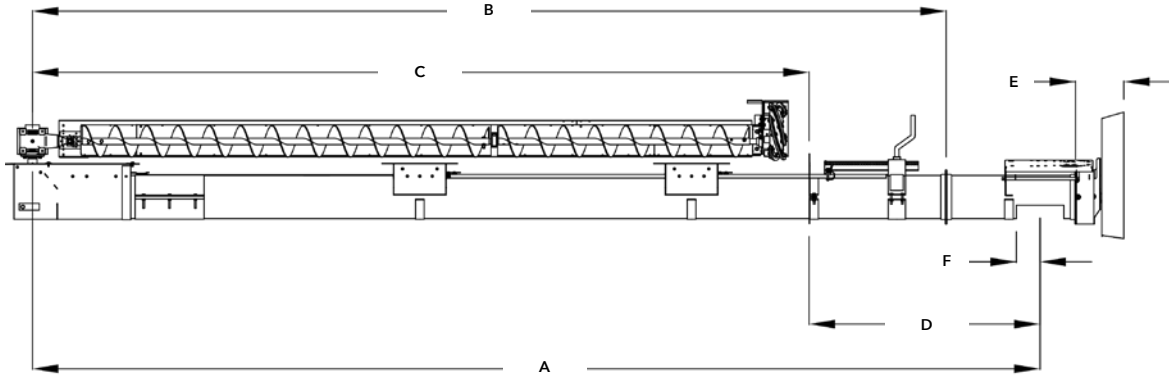
Specifications



8" ROUND TUBE POWER SWEEP

BIN DIA	A		B		C		D		E		F	
	INCH	MM	INCH	MM	INCH	MM	INCH	MM	INCH	MM	INCH	MM
15'	144.5	3,670	121.75	3,093	90	2,286	31.75	807	6.875	175	5.0	127
18'	162.5	4,128	140	3,556	108	2,743	54.5	1,384	6.875	175	5.0	127
18'7"	162.5	4,128	140	3,556	111.5	2,832	51	1,295	6.875	175	5.0	127
21'	180.5	4,584	158	4,013	126	3,200	54.5	1,384	6.875	175	5.0	127
21'8"	180.5	4,585	158	4,013	130	3,302	50.5	1,283	6.875	175	5.0	127
24'	198.5	5,042	176	4,470	144	3,658	54.5	1,384	6.875	175	5.0	127
24'9"	198.5	5,042	176	4,470	148.5	3,772	50	1,270	6.875	175	5.0	127
27'	216.5	5,499	194	4,928	162	4,115	54.5	1,384	6.875	175	5.0	127
27'10"	216.5	5,499	194	4,928	167	4,242	49.5	1,257	6.875	175	5.0	127
30'	234.5	5,956	212	5,385	180	4,572	54.5	1,384	6.875	175	5.0	127
30'11"	234.5	5,956	212	5,385	185.5	4,712	49	1,245	6.875	175	5.0	127
33'	252.5	6,414	230	5,842	198	5,029	54.5	1,384	6.875	175	5.0	127
34'	252.5	6,414	230	5,842	204	5,182	48.5	1,232	6.875	175	5.0	127
36'	276.5	7,023	254	6,452	216	5,486	60.5	1,537	6.875	175	5.0	127
37'1"	276.5	7,023	254	6,452	222.5	5,652	54	1,372	6.875	175	5.0	127
40'3"	288.5	7,328	266	6,756	241.5	6,134	47	1,194	6.875	175	5.0	127
42'	300.5	7,633	278	7,061	252	6,401	48.5	1,232	6.875	175	5.0	127
43'4"	318.5	8,090	296	7,518	260	6,604	58.5	1,486	6.875	175	5.0	127
48	342.5	8,700	320	8,128	288	7,315	54.5	1,384	6.875	175	5.0	127
49'6"	348.5	8,852	326	8,280	297	7,544	51.5	1,308	6.875	175	5.0	127
54'	384.5	9,766	362	9,195	324	8,230	60.5	1,537	6.875	175	5.0	127
55'8"	384.5	9,766	362	9,195	334	8,484	50.5	1,283	6.875	175	5.0	127
60'	408.5	10,376	386	9,804	360	9,144	48.5	1,232	6.875	175	5.0	127
61'10"	420.5	10,681	398	10,109	371	9,423	49.5	1,257	6.875	175	5.0	127

Round Tube Power Sweep, 8" & 10" (PAGE 9 OF 10)



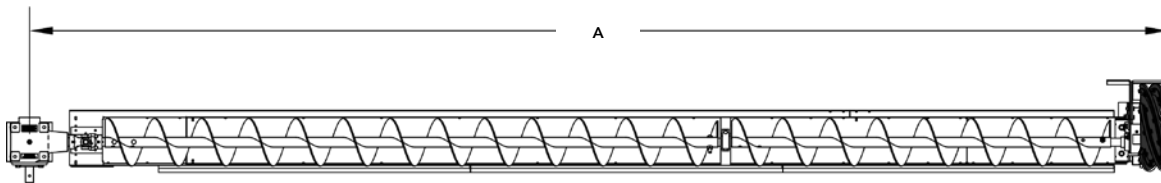
10" ROUND TUBE POWER SWEEP

BIN DIA	A		B		C		D		E		F	
	INCH	MM	INCH	MM	INCH	MM	INCH	MM	INCH	MM	INCH	MM
15'	144.5	3,670	121.75	3,093	90	2,286	31.75	807	11.16	284	5.5	140
18'	162.5	4,128	140	3,556	108	2,743	54.5	1,384	11.16	284	5.5	140
18'7"	162.5	4,128	140	3,556	111.5	2,832	51	1,295	11.16	284	5.5	140
21'	180.5	4,585	158	4,013	126	3,200	54.5	1,384	11.16	284	5.5	140
21'8"	180.5	4,585	158	4,013	130	3,302	50.5	1,283	11.16	284	5.5	140
24'	198.5	5,042	176	4,470	144	3,658	54.5	1,384	11.16	284	5.5	140
24'9"	198.5	5,042	176	4,470	148.5	3,772	50	1,270	11.16	284	5.5	140
27'	216.5	5,499	194	4,928	162	4,115	54.5	1,384	11.16	284	5.5	140
27'10"	216.5	5,499	194	4,928	167	4,242	49.5	1,257	11.16	284	5.5	140
30'	234.5	5,956	212	5,385	180	4,572	53.75	1,365	11.16	284	5.5	140
30'11"	234.5	5,956	212	5,385	185.5	4,712	51.25	1,302	11.16	284	5.5	140
33'	252.5	6,414	230	5,842	198	5,029	53.75	1,365	11.16	284	5.5	140
34'	252.5	6,414	230	5,842	204	5,182	47.75	1,213	11.16	284	5.5	140
36'	276.5	7,023	254	6,452	216	5,486	59.75	1,518	11.16	284	5.5	140
37'1"	276.5	7,023	254	6,452	222.5	5,652	53.25	1,353	11.16	284	5.5	140
40'3"	288.5	7,328	266	6,756	241.5	6,134	46.25	1,175	11.16	284	5.5	140
42'	300.5	7,633	278	7,061	252	6,401	47.75	1,213	11.16	284	5.5	140
43'4"	318.5	8,090	296	7,518	260	6,604	57.75	1,467	11.16	284	5.5	140
48	342.5	8,700	320	8,128	288	7,315	53.75	1,365	11.16	284	5.5	140
49'6"	348.5	8,852	326	8,280	297	7,544	50.75	1,289	11.16	284	5.5	140
54'	384.5	9,766	362	9,195	324	8,230	59.75	1,518	11.16	284	5.5	140
55'8"	384.5	9,766	362	9,195	334	8,484	49.75	1,264	11.16	284	5.5	140
60'	408.5	10,376	386	9,804	360	9,144	47.75	1,213	11.16	284	5.5	140
61'10"	420.5	10,681	398	10,109	371	9,423	48.75	1,238	11.16	284	5.5	140
66'	443.75	11,271	422	10,719	396	10,058	47.75	1,213	11.16	284	5.5	140
68'1"	455.75	11,576	434	11,024	408.5	10,376	47.25	1,200	11.16	284	5.5	140

CHART CONTINUED ON NEXT PAGE >>>

Round Tube Power Sweep, 8" & 10" (PAGE 10 OF 10)

BIN DIA	A		B		C		D		E		F	
	INCH	MM	INCH	MM	INCH	MM	INCH	MM	INCH	MM	INCH	MM
72'	479.75	12,186	458	11,633	432	10,973	47.75	1,213	11.16	284	5.5	140
74'3"	491.75	12,491	470	11,938	445.5	11,316	46.25	1,175	11.16	284	5.5	140
75'	497.75	12,643	476	12,090	450	11,430	47.75	1,213	11.16	284	5.5	140
75'11"	503.25	12,783	481.5	12,230	455.5	11,570	47.75	1,213	11.16	284	5.5	140
78'	515.75	13,100	494	12,548	468	11,887	47.75	1,213	11.16	284	5.5	140
80'5"	533.25	13,545	511.5	12,992	482.5	12,256	50.75	1,289	11.16	284	5.5	140



POWER SWEEP ARMS

BIN DIA.	8" SWEEP		10" SWEEP	
	"A"		"A"	
	INCHES	MM	INCHES	MM
15'	87.0	2,210	87.0	2,210
18'	105.0	2,667	105.0	2,235
18'7"	105.0	2,667	105.0	2,261
21'	123.0	3,124	123.0	2,286
21'8"	123.0	3,124	123.0	2,311
24'	141.0	3,581	141.0	2,337
24'9"	146.0	3,708	146.0	2,362
27'	153.0	3,886	153.0	2,388
27'10"	164.0	4,166	164.0	2,413
30'	177.0	4,496	177.0	2,438
30'11"	182.5	4,636	182.5	2,464
33'	195.0	4,953	195.0	2,489
34'	101.0	2,565	101.0	2,515
36'	213.0	5,410	213.0	2,540
37'1"	219.5	5,575	219.5	2,565
40'3"	239.0	6,071	239.0	2,591

BIN DIA.	8" SWEEP		10" SWEEP	
	"A"		"A"	
	INCHES	MM	INCHES	MM
42'	249.0	6,325	249.0	2,616
43'4"	257.0	6,528	257.0	2,642
48	284.5	7,226	284.5	2,667
49'6"	293.5	7,455	293.5	2,692
54'	339.0	8,611	339.0	2,718
55'8"	349.0	8,865	349.0	2,743
60'	375.0	9,525	375.0	2,769
61'10"	386.0	9,804	386.0	2,794
66'	-	-	414.0	2,819
68'1"	-	-	426.0	2,845
72'	-	-	450.0	2,870
74'3"	-	-	463.0	2,896
75'	-	-	468.0	2,921
75'11"	-	-	474.0	2,946
78'	-	-	502.0	2,972

POWER SWEEP SYSTEMS

U-Trough, 10" & 12"

(PAGE 1 OF 9)

Sudenga's u-trough power sweeps feature high capacities and long-run durability.

10 and 12" u-trough power sweeps are available for bins from 18 to 80' in diameter. 10" systems offer capacities to 6,000 BPH. 12" systems handle up to 10,000 BPH in capacity. Both systems install in 13" dryer floor support applications.



Easy installation: Much of the sweep is factory assembled. The 10" center sump is part of the u-trough. All controls are internal. Just slide the complete assembly through the bin wall and attach the sweep.

Trough hanger bearings: Wood bearings are placed at the sumps for easy access. Flightings and bearings can be removed as a unit, with the bearing hangers sliding on ledges in the trough. Bearings are self-seating.

Sweep stop: Limits the sweep to one revolution. The stop swings back, allowing the sweep to move forward over the sumps before filling the bin.

Heavy duty double gearbox sweep drive: Internally controlled engage/disengagement for the sweep auger. Precision gearboxes are oil-bath types. Featuring 1 1/4" shafts.

Center sump: Heavy duty rollers or sliders coupled with the standard rack and pinion opener provides smooth gate action.

Sumps: Compare the number of Sudenga intermediate sumps to those on other brands. More sumps means more reliable sweep startup and unloading of the bin. If the center sump becomes blocked during the first phase of unloading the bin, the intermediate sump nearest the center acts as a safety sump and can be opened independently to continue first phase unloading from near the bin center.



CLEAN SWEEP BRISTLE

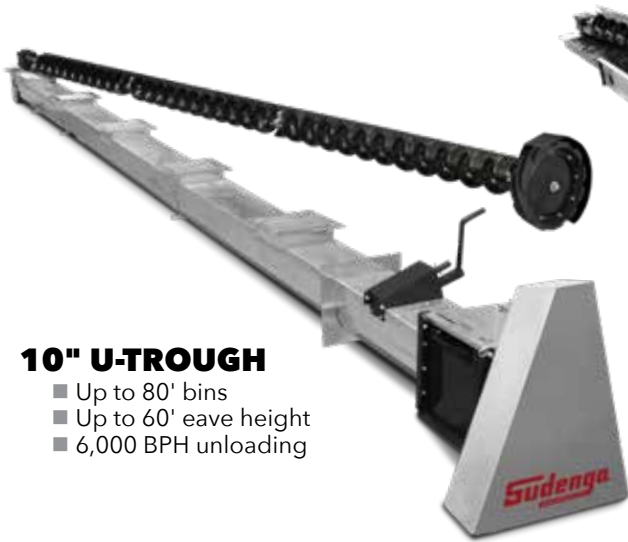
Sudenga's clean sweep bristles drastically reduce the amount of grain left behind. Work smart, not hard.

Optional on 10"; standard on 12".

Performance varies depending on grain condition and condition of floor.

- Adjustable top flanges accommodate uneven bin floors.
- Internal sweep engagement controls. Direct coupled heavy duty 1-1/4" shaft gearboxes.
- Reinforced galvanized sweep backshield for one-pass sweep operation
- All control rods located inside the u-trough. Factory installed.
- Rack & pinion gate opener makes for smooth, positive control for opening and closing gates.
- Horizontal and incline unloading heads available.

U-Trough Power Sweep, 10" & 12" (PAGE 2 OF 9)



10" U-TROUGH

- Up to 80' bins
- Up to 60' eave height
- 6,000 BPH unloading



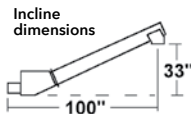
12" U-TROUGH

- Up to 80' bins
- Up to 80' eave height
- 10,000 BPH unloading



CAPACITIES

Unloading Auger	10" System	12" System
Horizontal	6,000 BPH	10,000 BPH
27° Incline	5,200 BPH	10,000 BPH



Capacities are approximate and for underbin auger only. Capacities are reduced when the sweep auger is engaged.

Sudenga's 12" u-trough power sweep is the only bin or silo sweep of its kind - it's designed to install in a 13" grain bin or silo drying floor while handling up to 10,000 bushels per hour.

SPECIFICATIONS

	Trough Ga.	Flight Dia.	Flight Ga.	Flight Pipe	Flight Shaft
10" Underbin	14	—	1/4"	2-7/8"	1 1/2"
10" Sweep	—	7 1/4"	1/4"	2-7/8"	1 1/2"
12" Underbin	10	—	1/4"	2-7/8"	1 1/2"
12" Sweep	—	11 1/4"	1/4"	2-7/8"	1 1/2"

⚠ NOTICE ⚠

Sweeps are designed for single pass operation, but the bin must be warranted for single pass operation to do this.

Horsepowers are the minimum recommended for dry shelled corn. Soybeans or other hard to convey material will require more horsepower and reduce capacities. Contact factory for drive and HP information.

The sweep auger must be positioned over the intermediate sumps before filling the bin.

Sweeps are designed for 60 HZ. Contact factory for 50 HZ.

Contact factory for explosion proof applications.

U-Trough Power Sweep, 10" & 12" (PAGE 3 OF 9)

END WHEELS

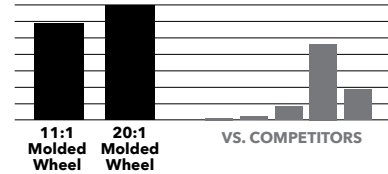
	FOR 10" SYSTEMS	FOR 12" SYSTEMS
11:1 Molded End Wheel	Standard (Bins 15' to 43'4")	—
20:1 Molded End Wheel	Standard (Bins 48'+)	Standard (All bin sizes)



NEW MOLDED END WHEEL FEATURES:

- Universal 16" diameter molded tire for all bin sizes
- Increased amount of available tread to improve wear life
- Improved density for optimum balance between traction and life
- Deeper reductions for improved wheel life and traction

AVERAGE WHEEL LIFE

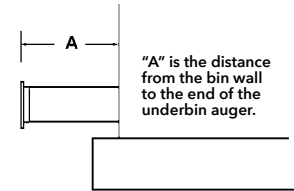


NOTE: Wheel life test data by Sudenga. Results may vary based on application.

10" U-Trough Power Sweep

PRICING GUIDE

Includes an underbin u-trough auger with attached sumps. Sump controls, sweep auger with reduction drive end wheel, and a sweep stop. A double gearbox with an internal clutch control powers the sweep auger. Unloading augers are on the following pages.



10" U-TROUGH SYSTEM										
BIN DIA.	WITH CLEAN SWEEP			NO CLEAN SWEEP			HP ¹	HP ²	SUMPS*	"A"
	PART NO.	WT.	PRICE	PART NO.	WT.	PRICE				
15'	051800CSK	(613)	\$6,075.00	051800	(617)	\$5,953.00	5	7½	1	32"
18'	051801CSK	(693)	\$6,075.00	051801	(673)	\$5,953.00	7½	7½	1	32"
18'7"	051802CSK	(700)	\$6,075.00	051802	(684)	\$5,953.00	7½	7½	1	32"
21'	051803CSK	(743)	\$6,123.00	051803	(724)	\$5,953.00	7½	10	1	32"
21'8"	051804CSK	(743)	\$6,164.00	051804	(736)	\$5,994.00	7½	10	1	32"
24'	051805CSK	(819)	\$6,308.00	051805	(797)	\$6,109.00	7½	10	2	32"
24'9'	051806CSK	(835)	\$6,414.00	051806	(812)	\$6,207.00	7½	10	2	32"
27'	051807CSK	(868)	\$6,519.00	051807	(843)	\$6,293.00	7½	10	2	32"
27'10"	051808CSK	(885)	\$6,558.00	051808	(859)	\$6,323.00	7½	10	2	33"
30'	051809CSK	(922)	\$6,721.00	051809	(895)	\$6,478.00	10	15	2	32"
30'11"	051810CSK	(957)	\$6,788.00	051810	(952)	\$6,531.00	10	15	3	32½"
33'	051811CSK	(990)	\$7,140.00	051811	(960)	\$6,865.00	10	15	3	32"
34'	051812CSK	(1,008)	\$7,284.00	051812	(977)	\$6,999.00	10	15	3	32"
36'	051813CSK	(1,051)	\$7,392.00	051813	(1,018)	\$7,101.00	10	15	3	32"
37'1"	051814CSK	(1,081)	\$7,508.00	051814	(1,047)	\$7,208.00	10	15	3	31½"
40'3"	051816CSK	(1,206)	\$7,661.00	051816	(1,169)	\$7,312.00	15	20	3	30½"
42'	051817CSK	(1,256)	\$8,014.00	051817	(1,217)	\$7,650.00	15	20	4	32"
43'4"	051818CSK	(1,289)	\$8,200.00	051818	(1,249)	\$7,822.00	15	20	4	36"
48'	051819CSK	(1,159)	\$8,646.00	051819	(1,112)	\$8,221.00	15	20	4	32"
49'6"	051820CSK	(1,413)	\$9,563.00	051820	(1,365)	\$9,134.00	15	20	5	35"
54'	051821CSK	(1,474)	\$11,079.00	051821	(1,423)	\$10,507.00	15	20	5	32"
55'8"	051822CSK	(1,565)	\$11,002.00	051822	(1,513)	\$10,516.00	20	25	5	34"

1 - Horsepower with horizontal head.
 2 - Horsepower with 27° inclined unloader.
 * Sumps required

CHART CONTINUED ON NEXT PAGE >>>

U-Trough Power Sweep, 10" & 12" (PAGE 4 OF 9)

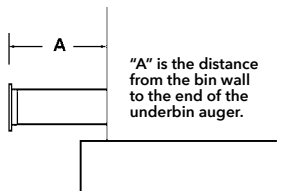
10" U-TROUGH SYSTEM										
BIN DIA.	WITH CLEAN SWEEP			NO CLEAN SWEEP			HP ¹	HP ²	SUMPS*	"A"
	PART NO.	WT.	PRICE	PART NO.	WT.	PRICE				
60'	051823CSK	(1,650)	\$12,991.00	051823	(1,593)	\$12,465.00	20	25	6	32"
61'10"	051824CSK	(1,679)	\$13,035.00	051824	(1,620)	\$12,492.00	20	25	6	33"
66'	051825CSK	(1,708)	\$14,264.00	051825	(1,646)	\$13,684.00	20	25	6	32"
68'1"	051826CSK	(1,687)	\$14,343.00	051826	(1,623)	\$13,742.00	20	25	6	31½"
72'	051827CSK	(1,889)	\$14,968.00	051827	(1,841)	\$14,331.00	20	25	7	32"
74'3"	051828CSK	(1,852)	\$15,594.00	051828	(1,780)	\$14,938.00	25	30	7	30½"
75'	051829CSK	(1,878)	\$15,683.00	051829	(1,806)	\$15,019.00	25	30	7	32"
75'11"	051830CSK	(1,893)	\$15,893.00	051830	(1,821)	\$15,219.00	25	30	7	32"
78'	051831CSK	(1,874)	\$16,219.00	051831	(1,799)	\$15,525.00	25	30	7	32"
80'5"	051832CSK	(2,186)	\$16,841.00	051832	(2,109)	\$16,123.00	25	30	8	36½"

1 - Horsepower with horizontal head.
 2 - Horsepower with 27° inclined unloader.
 * Sumps required

12" U-Trough Power Sweep

PRICING GUIDE

Includes an underbin u-trough auger with flush floor sumps, sump controls, sweep auger with reduction drive end wheel, and a sweep stop. A double gearbox with an internal clutch control powers the sweep auger. All bins have a 20:1 molded wheel. Unloading augers are on the following pages. Bins 54' and larger include a permanently installed sweep carrier assembly.



12" U-TROUGH SYSTEM						
BIN DIA.	PART NO.	WT.	PRICE	HP	SUMPS*	"A"
24'	063580CSK	(1,596)	\$19,164.00	15	2	32"
24'9'	063581CSK	(1,660)	\$19,242.00	15	2	32"
27'	063582CSK	(1,723)	\$19,469.00	15	2	32"
27'10"	063583CSK	(1,758)	\$19,560.00	15	3	33"
30'	063584CSK	(1,798)	\$19,698.00	15	3	32"
30'11"	063585CSK	(1,869)	\$19,783.00	15	3	32-1/2"
33'	063586CSK	(1,946)	\$20,031.00	15	3	32"
34'	063587CSK	(1,981)	\$20,235.00	15	3	32"
36'	063588CSK	(2,054)	\$20,674.00	20	3	32"
37'1"	063589CSK	(2,069)	\$20,876.00	20	3	31-1/2"
40'3"	063590CSK	(2,280)	\$21,299.00	20	4	30-1/2"
42'	063591CSK	(2,343)	\$21,687.00	20	4	32"
43'4"	063592CSK	(2,438)	\$21,896.00	20	4	36"
48'	063593CSK	(2,612)	\$22,382.00	25	4	32"
49'6"	063594CSK	(2,680)	\$22,569.00	25	4	35"
54'	063595CSK	(2,808)	\$23,570.00	25	5	32"
55'8"	063596CSK	(2,905)	\$24,181.00	25	5	34"
60'	063597CSK	(3,098)	\$24,362.00	30	6	32"
61'10"	063598CSK	(3,134)	\$24,384.00	30	6	33"
66'	063599CSK	(3,305)	\$24,960.00	30	6	32"
68'1"	063600CSK	(3,390)	\$25,252.00	30	6	31-1/2"
72'	063601CSK	(3,504)	\$26,667.00	30	7	32"
74'3"	063602CSK	(3,648)	\$27,268.00	30	7	30-1/2"
75'	063603CSK	(3,744)	\$27,524.00	40	7	32"
75'11"	063604CSK	(3,722)	\$27,996.00	40	7	32"
78'	063605CSK	(3,889)	\$29,047.00	40	7	32"
80'5"	063606CSK	(3,946)	\$29,908.00	40	8	36-1/2"

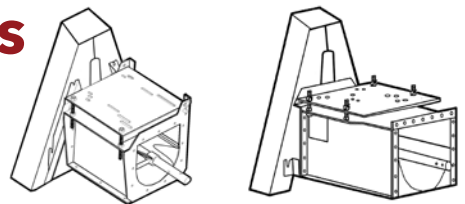
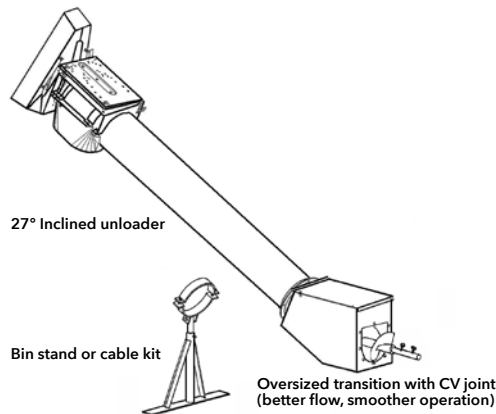
* Sumps required

Auger Extensions

NOTE: Extensions are installed between the underbin trough and the unloading auger, allowing you to move the discharge point away from the bin. It is the responsibility of the installer to provide adequate support for the length of extension trough being used. Add the horsepower here to the underbin and unloading auger horsepowers when determining total horsepower required. The maximum allowable is 30 HP for 10" u-troughs and 50 HP for 12" u-troughs.

LENGTH	10" U-TROUGH EXTENSIONS				12" U-TROUGH EXTENSIONS			
	PART. NO.	HP	WT.	PRICE	PART. NO.	HP	WT.	PRICE
2'	047262	1	(105)	\$517.00	048945	1	(121)	\$1,170.00
4'	047261	1½	(138)	\$850.00	048940	1½	(211)	\$1,558.00
5'	047260	2	(148)	\$1,017.00	048935	2	(256)	\$1,753.00
6'	047259	2	(248)	\$1,184.00	048930	2	(302)	\$1,947.00
8'	047258	3	(498)	\$1,518.00	048925	3	(392)	\$2,334.00
10'	047257	4	(420)	\$1,852.00	048920	4	(480)	\$2,722.00

Unloading Augers



Horizontal head, 10" u-trough Horizontal head, 12" u-trough
(Horizontal head is double bearing on the drive end.)

Auger Dia.	Trough/ Tube Ga.	Flight Ga.	Flight Pipe	Flight Shaft
10"	14	¼"	2-7/8"	1½"
12"	12	¼"	2-7/8"	1½"
14" RT	10	¼"	2-7/8"	1½"

PRICING GUIDE

For 10" u-trough power sweep unloading augers order pulleys and bushings separately as noted in the chart. 30 HP maximum allowable.

UNLOADING AUGERS (10" U-TROUGH)						
UNLOADING AUGER	DIA./LENGTH	BIN DIAMETER	PULLEY REQ.	PART. NO.	WT.	PRICE
Horizontal head	10" x 16½"	15' - 37'1"	2B3.4	046900	(155)	\$1,055.00
		40'3" - 72'	3B3.4	046901	(160)	\$1,110.00
		74'3" - 80'5"	4B3.8	046902	(165)	\$1,712.00
27° inclined head	12" x 5'	15' - 27'10"	2B3.4	047232-60	(348)	\$3,852.00
		30' - 54'	3B3.4	047233-60	(354)	\$3,945.00
		55'8" - 80'5"	4B3.8	047234-60	(376)	\$4,063.00
27° inclined head	12" x 7'	15' - 27'10"	2B3.4	047232	(320)	\$3,664.00
		30' - 54'	3B3.4	047233	(330)	\$3,757.00
		55'8" - 80'5"	4B3.8	047234	(355)	\$3,864.00
Bin stand, for inclined head				051075	(30)	\$519.00
Cable kit, for inclined head				033516	(18)	\$263.00

U-Trough Power Sweep, 10" & 12" (PAGE 6 OF 9)

PRICING GUIDE

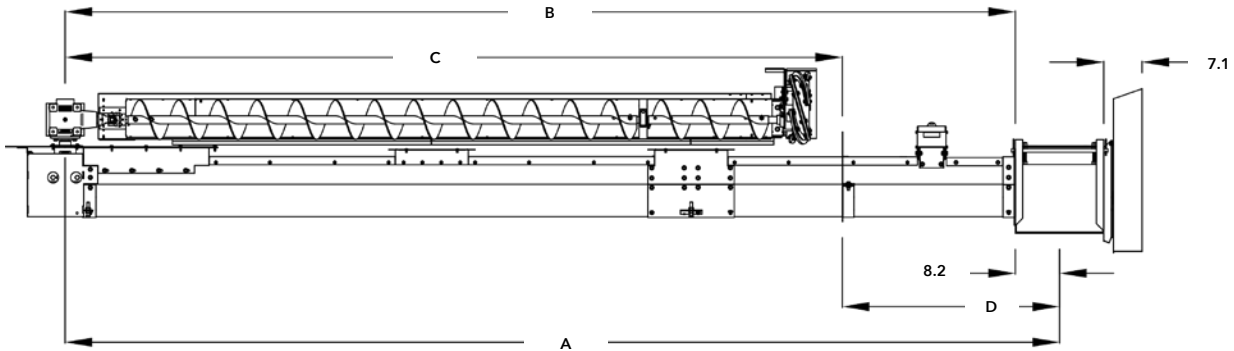
The unloading augers for 12" u-trough power sweeps include motor and auger pulleys, pulley bushings, timing belt style drive, and belts. The horsepower figures are the total required for the underbin and unloading augers - based on bin size. 40 HP and larger head utilizes jackshaft reduction drive. 50 HP maximum allowable.

UNLOADING AUGERS (12" U-TROUGH)						
UNLOADING AUGER	DIA./LENGTH	BIN DIAMETER	TOTAL HP	PART. NO.	WT.	PRICE
Horizontal head	12"x24"	24' - 34'	15	048757	(245)	\$1,804.00
		36' - 43'4"	20	048758	(276)	\$1,921.00
		48' - 55'8"	25	048759	(316)	\$2,101.00
		60' - 74'3"	30	048760	(316)	\$2,531.00
		75' - 80'5"	40	048761	(393)	\$4,041.00
27° inclined head	14"x7'	24' - 27'10"	15	048989	(635)	\$4,802.00
		30' - 34'	20	048990	(650)	\$4,952.00
		36' - 43'4"	25	048991	(650)	\$5,039.00
		48' - 55'8"	30	048992	(682)	\$6,073.00
		60' - 74'3"	40	048993	(749)	\$6,324.00
Bin stand, for inclined head				051075	(30)	\$519.00
Cable kit, for inclined head				033516	(18)	\$263.00

Pulleys, Bushings

PULLEYS, BUSHINGS			
PART NO.	ITEM DESCRIPTION	WEIGHT	PRICE
025119	2B3.4 pulley, use SH bushing	(3)	\$70.40
025130	3B3.4 pulley, use SH bushing	(4)	\$81.00
032788	4B3.4 pulley, use SD bushing	(5)	\$118.00
032796	4B3.8 pulley, use SD bushing	(6)	\$125.00
025172	SH bushing, 5/8" bore	(1)	\$37.50
025174	SH bushing, 7/8" bore	(1)	\$37.50
025176	SH bushing, 1 1/8" bore	(1)	\$37.50
025178	SH bushing, 1 3/8" bore	(1)	\$37.50
025179	SH bushing, 1 5/8" bore	(1)	\$37.50
025156	SD bushing, 1 1/8" bore	(1)	\$44.80
025157	SD bushing, 1 3/8" bore	(1)	\$44.80
025159	SD bushing, 1 5/8" bore	(1)	\$44.80
032797	SD bushing, 1 7/8" bore	(0)	\$61.60

Specifications



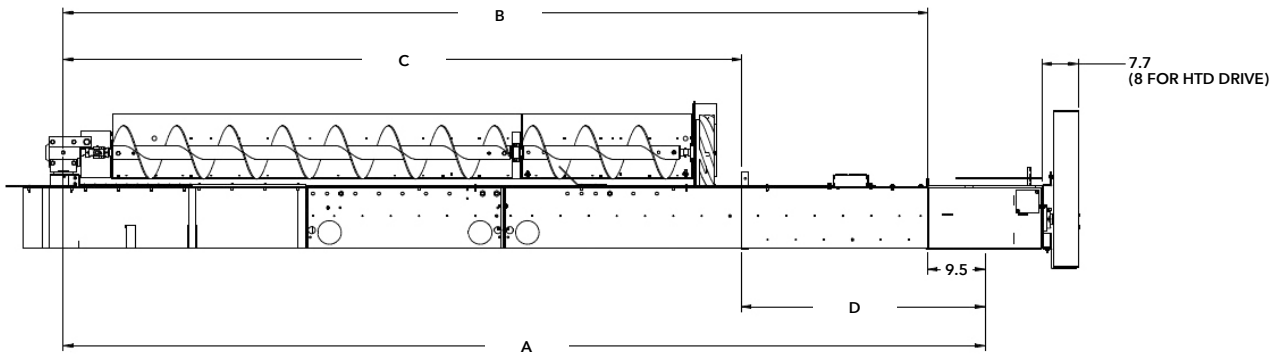
10" U-TROUGH POWER SWEEP

BIN DIA	A		B		C		D	
	INCH	MM	INCH	MM	INCH	MM	INCH	MM
21'	166.2	4,222	158	4,013	126	3,200	40.2	1,021
21'8"	170.2	4,323	162	4,115	130	3,302	40.2	1,021
24'	184.2	4,679	176	4,470	144	3,658	40.2	1,021
24'9"	188.7	4,793	180.5	4,585	148.5	3,772	40.2	1,021
27'	202.2	5,136	194	4,928	162	4,115	40.2	1,021
27'10"	208.2	5,288	200	5,080	167	4,242	41.2	1,047
30'	220.2	5,593	212	5,385	180	4,572	40.2	1,021
30'11"	226.2	5,745	218	5,537	185.5	4,712	40.7	1,034
33'	238.2	6,050	230	5,842	198	5,029	40.2	1,021
34'	244.2	6,203	236	5,994	204	5,182	40.2	1,021
36'	256.2	6,507	248	6,299	216	5,486	40.2	1,021
37'1"	262.2	6,660	254	6,452	222.5	5,652	39.7	1,008
40'3"	280.2	7,117	272	6,909	241.5	6,134	38.7	983
42'	292.2	7,422	284	7,214	252	6,401	40.2	1,021
43'4"	304.2	7,727	296	7,518	260	6,604	44.2	1,123
48	328.2	8,336	320	8,128	288	7,315	40.2	1,021
49'6"	340.2	8,641	332	8,433	297	7,544	43.2	1,097
54'	364.2	9,251	356	9,042	324	8,230	40.2	1,021
55'8"	376.2	9,555	368	9,347	334	8,484	42.2	1,072
60'	400.2	10,165	392	9,957	360	9,144	40.2	1,021
61'10"	412.2	10,470	404	10,262	371	9,423	41.2	1,047
66'	436.2	11,079	428	10,871	396	10,058	40.2	1,021

CHART CONTINUED ON NEXT PAGE >>>

U-Trough Power Sweep, 10" & 12" (PAGE 8 OF 9)

BIN DIA	A		B		C		D	
	INCH	MM	INCH	MM	INCH	MM	INCH	MM
68'1"	448.2	11,384	440	11,176	408.5	10,376	39.7	1,008
72'	472.2	11,994	464	11,786	432	10,973	40.2	1,021
74'3"	484.2	12,299	476	12,090	445.5	11,316	38.7	983
75'	490.2	12,451	482	12,243	450	11,430	40.2	1,021
75'11"	495.7	12,591	487.5	12,383	455.5	11,570	40.2	1,021
78'	508.2	12,908	500	12,700	468	11,887	40.2	1,021
80'5"	527.2	13,391	519	13,183	482.5	12,256	44.7	1,135



12" U-TROUGH POWER SWEEP

BIN DIA	A		B		C		D	
	INCH	MM	INCH	MM	INCH	MM	INCH	MM
24'	185.5	4,712	176	4,470	144	3,658	41.5	1,054
24' 9"	190	4,826	180.5	4,585	148.5	3,772	41.5	1,054
27'	203.5	5,169	194	4,928	162	4,115	41.5	1,054
27' 10"	209.5	5,321	200	5,080	167	4,242	42.5	1,080
30'	221.5	5,626	212	5,385	180	4,572	41.5	1,054
30' 11"	227.5	5,779	218	5,537	185.5	4,712	42	1,067
33'	239.5	6,083	230	5,842	198	5,029	41.5	1,054
34'	245.5	6,236	236	5,994	204	5,182	41.5	1,054
36'	257.5	6,541	248	6,300	216	5,486	41.5	1,054
37' 1"	263.5	6,693	254	6,452	222.5	5,652	41	1,041
40' 3"	289.1	7,150	272	6,909	241.5	6,134	40	1,016
42'	293.5	7,455	284	7,214	252	6,401	41.5	1,054
43' 4"	305.5	7,760	296	7,518	260	6,604	45.5	1,156
48'	329.5	8,369	320	8,128	288	7,315	41.5	1,054

CHART CONTINUED ON NEXT PAGE >>>

U-Trough Power Sweep, 10" & 12" (PAGE 9 OF 9)

BIN DIA	A		B		C		D	
	INCH	MM	INCH	MM	INCH	MM	INCH	MM
49' 6"	341.5	8,674	332	8,433	297	7,544	44.5	1,130
54'	365.5	8,284	356	9,042	324	8,230	41.5	1,054
55' 8"	375.5	9,538	366	9,296	334	8,484	41.5	1,054
60'	403.5	10,249	394	10,008	360	9,144	43.5	1,105
61' 10"	413.5	10,503	404	10,262	371	9,423	42.5	1,080
66'	437.5	11,113	428	10,871	396	10,058	41.5	1,054
68' 1"	449.5	11,417	440	11,176	408.5	10,376	41	1,041
72'	437.5	11,113	464	11,786	432	10,973	41.5	1,054
74' 3"	485.5	12,332	476	12,090	445.2	11,308	40	1,016
75'	491.5	12,484	482	12,243	450	11,430	41.5	1,054
75' 11"	497	12,624	487.5	12,383	455.5	11,570	41.5	1,054
78'	509.5	12,941	500	12,700	468	11,887	41.5	1,054
80' 5"	528.5	13,424	519	13,183	482.5	12,256	46	1,168

NOTES:

COMMERCIAL DUTY

IN THIS SECTION

- Underbin Auger Systems** Starting on page 52
- Underbin Auger Powerheads**..... Starting on page 57
- Underbin Quick Price Guide**..... Starting on page 60
- Series I Sweep** Starting on page 62
- D Series Sweep**..... Starting on page 68

COMMERCIAL DUTY

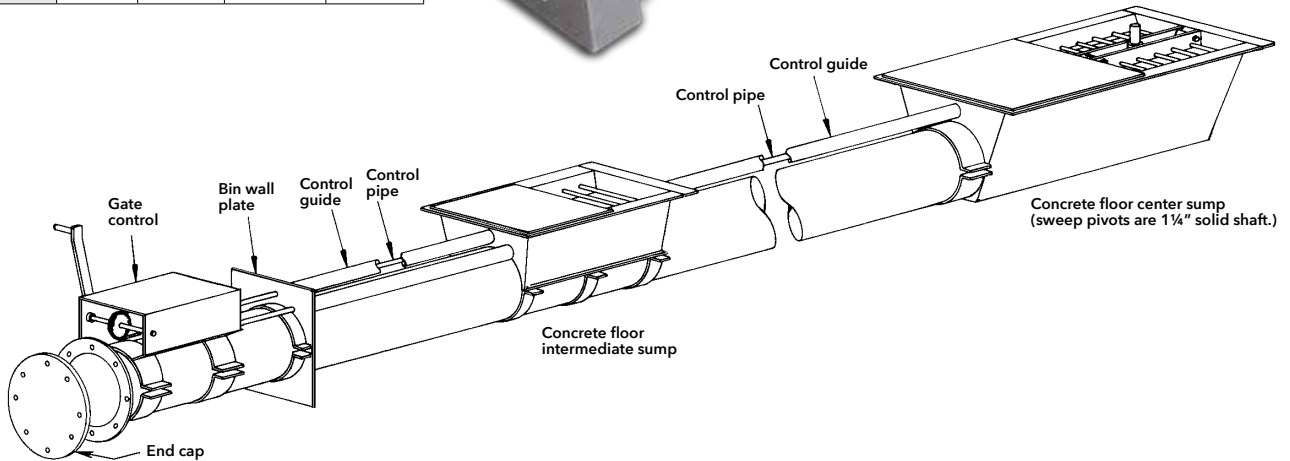
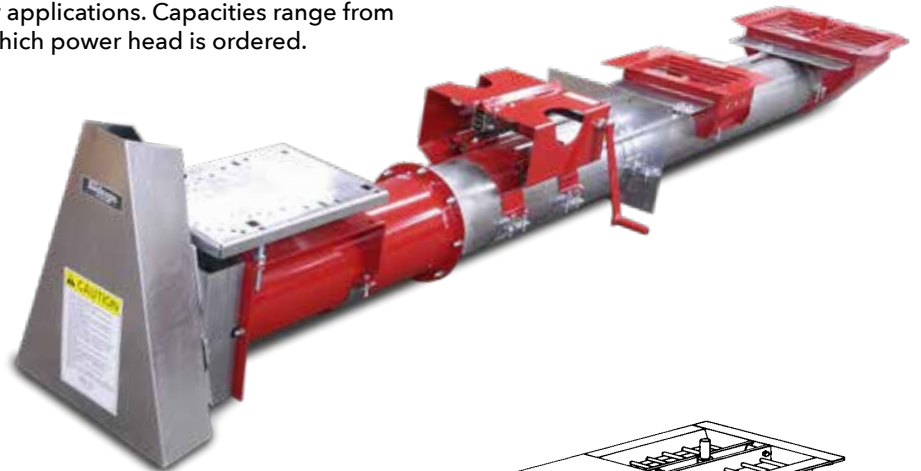
Underbin Auger Systems

The economical workhorse of Sudenga's line of commercial bin augers.

Complete commercial underbin round tube (8", 10" and 12") auger systems for bins to 80' in diameter for dryer or concrete bin floor applications. Capacities range from 2,400 BPH to 5,600 BPH depending on which power head is ordered. Flanged galvanized tube standard.

SPECIFICATIONS

Auger Dia.	Tube Ga.	Flight Ga.	Flight Pipe	Flight Shaft
8"	12	3/16"	2-1/2"	1-1/2"
10"	12	1/4"	2-7/8"	1-1/2"
12"	12	1/4"	2-7/8"	1-1/2"



Underbin Auger Systems, Commercial (PAGE 2 OF 5)

Tube & Flighting

PRICING GUIDE

Tubes and flightings are sold separately. Flights are righthand and are 24" longer than the tubes to extend into the center sump. 8" tubes are galvanized. Contact factory for systems in bins over 80'5".

8" UNDERBIN AUGER SYSTEMS										
BIN DIAMETER	TUBE					FLIGHTING				
	LENGTH	SUMPS*	PART NO.	WT.	PRICE	LENGTH	HP	PART NO.	WT.	PRICE
24'	12½'	1	GHCT8125	(85)	\$471.00	14½'	3	GHCF8145	(87)	\$493.00
24'9" - 27'	14'	2	GHCT8140	(94)	\$509.00	16'	3	GHCF8160	(96)	\$539.00
27'10" - 30'	15½'	2	GHCT8155	(104)	\$562.00	17½'	5	GHCF8175	(105)	\$585.00
30'11" - 33'	17½'	2	GHCT8175	(117)	\$611.00	19½'	5	GHCF8195	(118)	\$648.00
34' - 36'	18½'	3	GHCT8185	(124)	\$651.00	20½'	5	GHCF8205	(127)	\$744.00
37'1"	20'	3	GHCT8200	(133)	\$702.00	22'	5	GHCF8220	(136)	\$794.00
40'3" - 42'	22'	4	GHCT8220	(146)	\$751.00	24'	5	GHCF8240	(148)	\$850.00
43'4" - 48'	25'	4	GHCT8250	(166)	\$845.00	27'	5	GHCF8270	(166)	\$951.00
49'6"	26'	4	GHCT8260	(173)	\$934.00	28'	5	GHCF8280	(172)	\$983.00
55'8" - 60'	31'	4	GHCT8310	(205)	\$1,091.00	33'	5	GHCF8330	(202)	\$1,130.00
61'10"	32½'	4	GHCT8325	(216)	\$1,143.00	34½'	5	GHCF8345	(210)	\$1,185.00
68'1"	35½'	4	GHCT8355	(235)	\$1,182.00	37½'	7½	GHCF8375	(230)	\$1,282.00
72'	37'	4	GHCT8370	(245)	\$1,227.00	39'	7½	GHCF8390	(238)	\$1,322.00
74'3" - 75'	38½'	4	GHCT8385	(263)	\$1,333.00	40½'	7½	GHCF8405	(251)	\$1,449.00
78'	40½'	4	GHCT8405	(276)	\$1,466.00	42½'	10	GHCF8425	(263)	\$1,517.00
80'5"	42½'	4	GHCT8425	(282)	\$1,530.00	44½'	10	GHCF8445	(276)	\$1,579.00

* Intermediate sumps required in addition to the center sump.

PRICING GUIDE

Tubes and flightings are sold separately. Flights are righthand and are 24" longer than the tubes to extend into the center sump. 10" tubes are galvanized. Contact factory for systems in bins over 80'5".

10" UNDERBIN AUGER SYSTEMS (CONCRETE FLOOR)										
BIN DIAMETER	TUBE					FLIGHTING				
	LENGTH	SUMPS*	PART NO.	WT.	PRICE	LENGTH	HP	PART NO.	WT.	PRICE
24'	12½'	1	GHCT0125	(145)	\$845.00	14½'	5	GHCF0145	(127)	\$691.00
24'9" - 27'	14'	2	GHCT0140	(162)	\$928.00	16'	5	GHCF0160	(140)	\$755.00
27'10" - 30'	15½'	2	GHCT0155	(179)	\$1,019.00	17½'	5	GHCF0175	(152)	\$822.00
30'11" - 33'	17½'	2	GHCT0175	(202)	\$1,123.00	19½'	5	GHCF0195	(170)	\$914.00
34' - 36'	18½'	3	GHCT0185	(213)	\$1,196.00	20½'	7½	GHCF0205	(178)	\$963.00
37'1"	20'	3	GHCT0200	(230)	\$1,282.00	22'	7½	GHCF0220	(202)	\$1,100.00
40'3" - 42'	22'	4	GHCT0220	(252)	\$1,400.00	24'	7½	GHCF0240	(219)	\$1,188.00
43'4" - 48'	25'	4	GHCT0250	(287)	\$1,576.00	27'	7½	GHCF0270	(245)	\$1,322.00
49'6"	26'	4	GHCT0260	(299)	\$1,587.00	28'	7½	GHCF0280	(254)	\$1,365.00
55'8" - 60'	31'	4	GHCT0310	(354)	\$1,924.00	33'	10	GHCF0330	(297)	\$1,587.00
61'10"	32½'	4	GHCT0325	(371)	\$1,993.00	34½'	10	GHCF0345	(311)	\$1,662.00
68'1"	35½'	4	GHCT0355	(405)	\$2,171.00	37½'	10	GHCF0375	(338)	\$1,794.00
72'	37'	4	GHCT0370	(422)	\$2,276.00	39'	10	GHCF0390	(348)	\$1,858.00
74'3" - 75'	38½'	4	GHCT0385	(439)	\$2,358.00	40½'	10	GHCF0405	(361)	\$2,031.00
78'	40½'	4	GHCT0405	(487)	\$2,562.00	42½'	10	GHCF0425	(388)	\$2,121.00
80'5"	42½'	4	GHCT0425	(511)	\$2,677.00	44½'	15	GHCF0445	(407)	\$2,211.00

* Intermediate sumps required in addition to the center sump.

Underbin Auger Systems, Commercial (PAGE 3 OF 5)

PRICING GUIDE

Tubes and flightings are sold separately. Flights are righthand and are 10" longer than the tubes to extend into the center sump. 10" tubes are galvanized. Contact factory for systems in bins over 80'5".

10" UNDERBIN AUGER SYSTEMS (DRYER FLOOR)										
BIN DIAMETER	TUBE					FLIGHTING				
	LENGTH	SUMPS*	PART NO.	WT.	PRICE	LENGTH	HP	PART NO.	WT.	PRICE
24'	13'8"	1	036950	(157)	\$928.00	14'6"	5	GHCF0145	(127)	\$691.00
24'9" - 27'	15'2"	2	036951	(174)	\$1,019.00	16'	5	GHCF0160	(140)	\$755.00
27'10" - 30'	16'8"	2	036952	(191)	\$1,084.00	17'6"	5	GHCF0175	(152)	\$822.00
30'11" - 33'	18'8"	2	036953	(214)	\$1,196.00	19'6"	5	GHCF0195	(170)	\$914.00
34' - 36'	19'8"	3	036954	(225)	\$1,282.00	20'6"	7½	GHCF0205	(178)	\$963.00
37'1"	21'2"	3	036955	(242)	\$1,392.00	22'	7½	GHCF0220	(202)	\$1,100.00
40'3" - 42'	23'2"	4	036956	(264)	\$1,467.00	24'	7½	GHCF0240	(219)	\$1,188.00
43'4" - 48'	26'2"	4	036957	(305)	\$1,637.00	27'	7½	GHCF0270	(245)	\$1,322.00
49'6"	27'2"	4	036958	(311)	\$1,746.00	28'	7½	GHCF0280	(254)	\$1,365.00
55'8" - 60'	32'2"	4	036960	(374)	\$1,993.00	33'	10	GHCF0330	(297)	\$1,587.00
61'10"	33'8"	4	036961	(383)	\$2,075.00	34'6"	10	GHCF0345	(311)	\$1,662.00
68'1"	36'8"	4	036962	(417)	\$2,276.00	37'6"	10	GHCF0375	(338)	\$1,794.00
72'	38'2"	4	036963	(434)	\$2,358.00	39'	10	GHCF0390	(348)	\$1,858.00
74'3" - 75'	39'8"	4	036964	(461)	\$2,561.00	40'6"	10	GHCF0405	(361)	\$2,031.00
78'	41'8"	4	036965	(499)	\$2,657.00	42'6"	10	GHCF0425	(388)	\$2,121.00
80'5"	43'8"	4	036966	(523)	\$2,815.00	44'6"	15	GHCF0445	(407)	\$2,211.00

* Intermediate sumps required in addition to the center sump.

PRICING GUIDE

Tubes and flightings are sold separately. Flights are righthand and are 54" longer than the tubes to extend into both the center sump and head section. 12" tubes are painted. Contact factory for systems in bins over 80'5".

12" UNDERBIN AUGER SYSTEMS										
BIN DIAMETER	TUBE					FLIGHTING				
	LENGTH	SUMPS*	PART NO.	WT.	PRICE	LENGTH	HP	PART NO.	WT.	PRICE
24'	12'6"	1	GHCT2125	(238)	\$875.00	17'	5	GHCF2170	(147)	\$1,011.00
24'9" - 27'	14'	2	GHCT2140	(270)	\$969.00	18'6"	7½	GHCF2185	(167)	\$1,101.00
27'10" - 30'	15'6"	2	GHCT2155	(300)	\$1,053.00	20'	7½	GHCF2200	(185)	\$1,271.00
30'11" - 33'	17'6"	2	GHCT2175	(336)	\$1,177.00	22'	7½	GHCF2220	(204)	\$1,386.00
34' - 36'	18'6"	3	GHCT2185	(356)	\$1,235.00	23'	7½	GHCF2230	(213)	\$1,444.00
37'1"	20'	3	GHCT2200	(384)	\$1,322.00	24'6"	10	GHCF2245	(231)	\$1,532.00
40'3" - 42'	22'	4	GHCT2220	(425)	\$1,444.00	26'6"	10	GHCF2265	(269)	\$1,642.00
43'4" - 48'	25'	4	GHCT2250	(480)	\$1,624.00	29'6"	10	GHCF2305	(349)	\$1,809.00
49'6"	26'	4	GHCT2260	(500)	\$1,697.00	30'6"	10	GHCF2310	(369)	\$1,898.00
55'8" - 60'	31'	4	GHCT2310	(625)	\$1,980.00	35'6"	15	GHCF2355	(439)	\$2,266.00
61'10"	32'6"	4	GHCT2325	(655)	\$2,059.00	37'	15	GHCF2370	(459)	\$2,349.00
68'1"	35'6"	4	GHCT2355	(715)	\$2,211.00	40'	15	GHCF2400	(499)	\$2,531.00
72'	37'	4	GHCT2370	(731)	\$2,343.00	41'6"	15	GHCF2415	(537)	\$2,611.00
74'3" - 75'	38'6"	4	GHCT2385	(760)	\$2,429.00	43'	15	GHCF2430	(559)	\$2,694.00
78'	40'6"	4	GHCT2405	(798)	\$2,646.00	45'	15	GHCF2450	(599)	\$2,807.00
80'5"	42'6"	4	GHCT2425	(837)	\$2,751.00	47'	15	GHCF2470	(627)	\$2,928.00

* Intermediate sumps required in addition to the center sump.

Underbin Auger Systems, Commercial (PAGE 4 OF 5)

Sumps

Center and intermediate sumps available for concrete and dryer floors.

Center sumps have 20" x 20" openings; the largest in the industry. These large openings reduce the chance of plugging. Gates for all sumps ride on UHMW polyethylene rollers for smooth operation. With concrete floor sumps, the gates retract under sump covers, keeping weight off the gates. An optional rack and pinion gate control is the ultimate in easy sump operation. Wide 3" top flanges makes installation easy in dryer floors, concrete floors or trenches.

NOTE: These sumps are not for use with D-150 Sweeps.



Center sump. Concrete floor.



Center sump. Dryer floor.

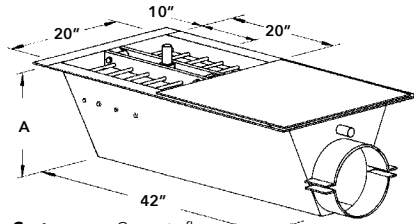


Intermediate sump. Concrete floor.

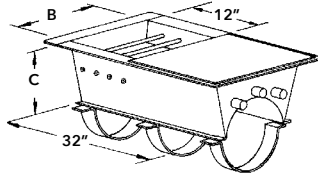


Intermediate sump. Dryer floor.

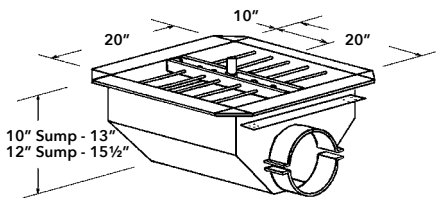
SPECIFICATIONS



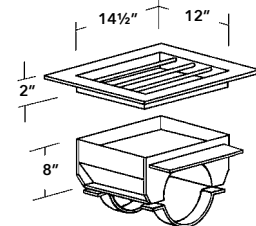
Center sump. Concrete floor.



Intermediate sump. Concrete floor.



Center sump. Dryer floor.



Intermediate sump. Dryer floor.

Tube Dia.	A	B	C
8"	11 1/2"	12 1/2"	7"
10"	13"	14"	7 1/2"
12"	15 1/2"	14"	8 3/4"

! NOTICE !

Do not leave the sweep attached to the center sump when filling the bin. Grain weight on the sweep may prevent gate movement and damage the sump and/or sweep.

PRICING GUIDE

Sweep pivots are 1 1/4" solid shaft. These sumps are suitable for use with Series I sweeps, but not D-Series sweeps.

SUMPS		8" TUBE		10" TUBE		12" TUBE				
		PART NO.	WT.	PART NO.	WT.	PART NO.	WT.			
Concrete Floor	Center Sump	025390	(84)	\$715.00	025391	(141)	\$806.00	025392	(191)	\$872.00
	Intermediate Sump	025393	(86)	\$567.00	025394	(68)	\$584.00	025395	(76)	\$674.00
Dryer Floor	Center Sump	-	-	-	017451	(86)	\$632.00	029614	(136)	\$758.00
	Intermediate Sump	-	-	-	017462	(30)	\$440.00	029619	(32)	\$601.00

Sump controls are on the next page

Underbin Auger Systems, Commercial (PAGE 5 OF 5)

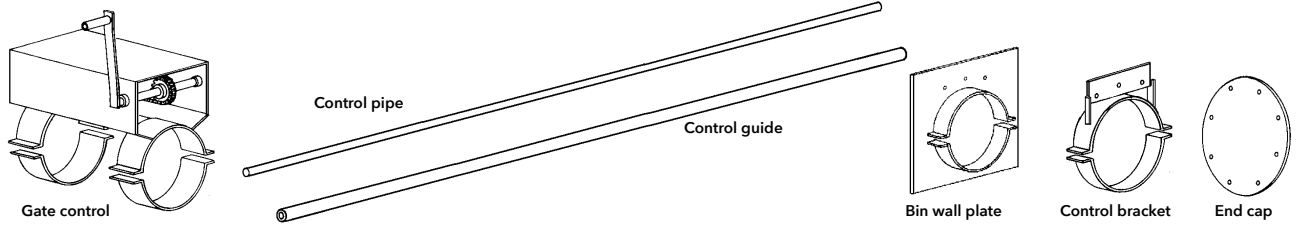
Sump Controls

Control Pipes: One pipe operates the center sump and one or two control pipes operate the intermediate sumps.

Control Guides: Houses control pipes in concrete floors and provides control pipe rigidity in dryer floors.

Control Brackets: Can be used in place of control guides in dryer floors.

Gate Control: Operates the control pipes. Any combination of control pipes can be operated by installing or removing pins where the pipes connect to the gate control.



SUMP CONTROLS	8" TUBE			10 TUBE			12" TUBE		
	PART NO.	WT.	PRICE	PART NO.	WT.	PRICE	PART NO.	WT.	PRICE
Gate Control (concrete floor)	025383	(51)	\$458.00	025384	(46)	\$477.00	025385	(52)	\$525.00
Gate Control (dryer floor)	-	-	-	017483	(46)	\$483.00	061697	(56)	\$525.00
Control Pipe, 1/2" x 10 1/2'	025475	(9)	\$60.20	025475	(9)	\$60.20	025475	(9)	\$60.20
Control Pipe, 1/2" x 21'	025476	(17)	\$85.20	025476	(17)	\$85.20	025476	(17)	\$85.20
Control Pipe Coupler	025472	(1)	\$10.80	025472	(1)	\$10.80	025472	(1)	\$10.80
Control Guide, 1 1/2" x 10'	025480	(13)	\$63.80	025480	(13)	\$63.80	025480	(13)	\$63.80
Control Guide, 1 1/2" x 21'	025481	(32)	\$111.00	025481	(32)	\$111.00	025481	(32)	\$111.00
Control Guide Coupler	025006	(1)	\$18.60	025006	(1)	\$18.60	025006	(1)	\$18.60
Control Bracket (dryer floor)	-	-	-	017480	(5)	\$49.40	-	-	-
Bin Wall Plate (dryer floor)	-	-	-	017475	(7)	\$84.90	029622	(8)	\$126.00
End Cap	002471	(2)	\$15.60	002497	(4)	\$19.70	025389	(5)	\$26.60

Control Pipe Kits

PRICING GUIDE

Kits for dryer floor bins include the control pipe and couplers required to operate all sumps on the underbin auger. Kits for concrete floor bins also include control guides to house the control pipes. Slide gate controls are ordered above.

BIN DIAMETER	CONCRETE FLOOR			DRYER FLOOR		
	PART NO.	WT.	PRICE	PART NO.	WT.	PRICE
24'	850171	(86)	\$327.00	850600	(36)	\$170.00
24'9" - 27'	850172	(86)	\$327.00	850601	(36)	\$170.00
27'10" - 30'	850173	(104)	\$373.00	850602	(36)	\$170.00
30'11" - 33'	850174	(110)	\$404.00	850603	(45)	\$213.00
34' - 36'	850175	(117)	\$508.00	850604	(54)	\$256.00
37'1"	850154	(136)	\$562.00	850605	(56)	\$286.00
40'3" - 42'	850155	(119)	\$562.00	850606	(56)	\$286.00
43'4" - 48'	850157	(138)	\$577.00	850607	(56)	\$286.00
49'6" - 60'	850158	(190)	\$712.00	850608	(76)	\$360.00
61'10"	850167	(205)	\$756.00	850609	(76)	\$369.00
68'1"	850168	(257)	\$895.00	850610	(90)	\$417.00
72'	850159	(257)	\$895.00	850611	(95)	\$458.00
74'3" - 75'	850169	(257)	\$934.00	850612	(95)	\$458.00
78'	850160	(257)	\$934.00	850613	(95)	\$458.00
80'5"	850176	(286)	\$952.00	850614	(95)	\$458.00

COMMERCIAL DUTY

Underbin Auger Powerheads

(PAGE 1 OF 3)



Horizontal Heads

8, 10 and 12" horizontal power heads feature quick tension motor mount and fully enclosed belt shields. End plate removable on all sizes allowing underbin auger to be pulled from under bin without removing the motor.

27° Inclined Unloaders

for 8 and 10" underbin systems. 8" incline offers up to 2,000 BPH and 10" incline offers up to 3,200 BPH. Commercial incline features double bearing at driveshaft and constant velocity knuckle to transmit power reliably. 7 ft. tube length.

Vertical Bin Unloaders

for 8 and 10" underbin systems. Vertical unloaders are double drive - one motor for the underbin auger and one for the vertical unloader. 8" vertical handles up to 2400 bph while 10" vertical handles up to 3,800 BPH. 16 ft. tube length.

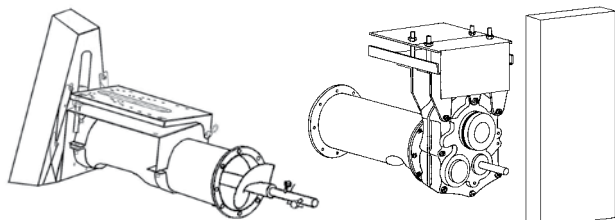
CAPACITIES

Bin Auger	Discharge Auger	Approximate Capacities (BPH)
8"	Horizontal 8"	2,400
	27° Incline 10"	2,000
	Vertical 10"	2,200 - 2,400
10"	Horizontal 10"	to 4,500
	27° Incline 12"	3,200
	Vertical 12"	3,600 - 3,800
12"	Horizontal 12"	to 5,600

SPECIFICATIONS

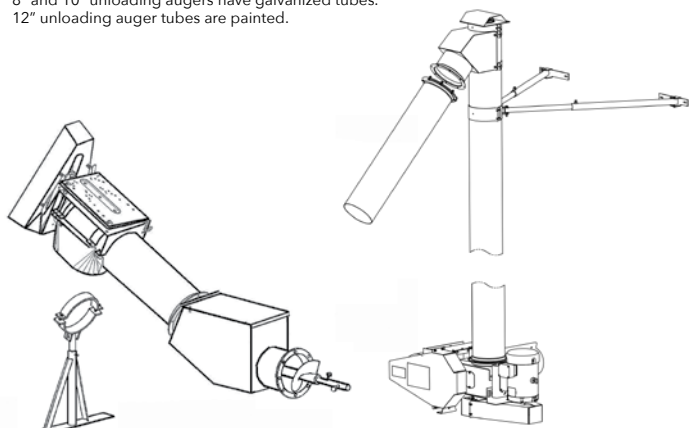
Auger Dia.	Tube Ga.	Flight Ga.	Flight Pipe	Flight Shaft
8"	12	3/16"	2-1/2"	1-1/2"
10"	12	1/4"	2-7/8"	1-1/2"
12"	12	1/4"	2-7/8"	1-1/2"

8" and 10" unloading augers have galvanized tubes. 12" unloading auger tubes are painted.



8" and 10" horizontal head. Direct drive.

12" horizontal head. Helical drive. Contact factory for 12" direct drive.



Bin stand or cable kit

27° incline unloader. Oversized transition with CV joint for better flow and smoother operation.

Vertical unloader. Double drive. One motor for the vertical unloader and one for the underbin auger.

Underbin Auger Powerheads (PAGE 2 OF 3)

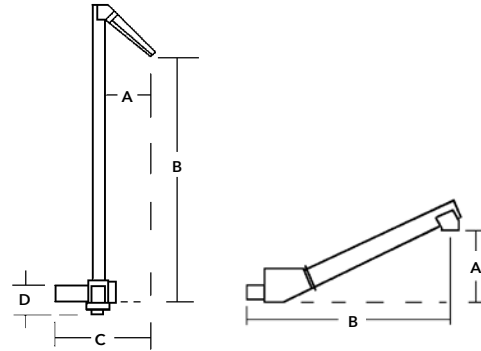
BELT RECOMMENDATIONS

Shows the number of belts for your auger size/type and bin diameter.

Underbin Auger	Unloading Auger		Use 2 belt drive for bin diameters	Use 3 belt drive for bin diameters	Use 4 belt drive for bin diameters
8"	Horizontal	8" x 30"	24' - 61'10"	68'1" - 80'5"	-
	27° Incline	10" x 7 ft.	24' - 27'	27'11" - 75'	-
10"	Horizontal	10" x 30"	24' - 49'6"	55'8" - 78'	80'5"
	27° Incline	12" x 7 ft.	-	24' - 49'6"	55'8" - 78'
12"	Horizontal	12" x 30"	24' - 49'6"	55'8" - 80'5"	-

REACH AND ELEVATION

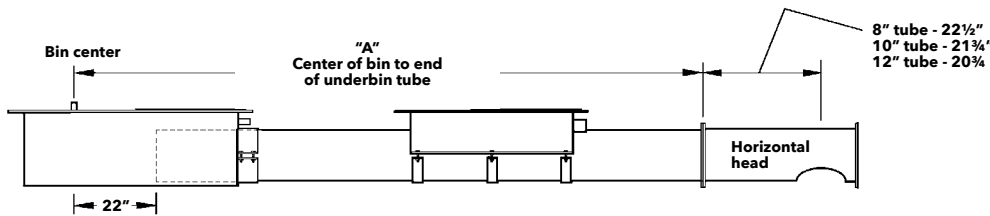
Auger	Transition	A	B	C	D
Vertical	8" - 10"	41"	12'9"	65"	16"
	10" - 12"	40.3"	10.5"	67"	17"
27° Incline	8" - 10"	28"	82"	-	-
	10" - 12"	33"	100"	-	-



NOTE: Dimensions are with spout at 45° angle. Spout is adjustable.

LENGTH (CENTER OF BIN TO DISCHARGE POINT)

Add the reach dimensions for horizontal heads (shown here), or vertical and inclined unloaders (previous chart) to the dimension "A" below to get a length from the center of the bin to the discharge point.



Bin Dia.	"A"	Bin Dia.	"A"	Bin Dia.	"A"	Bin Dia.	"A"	Bin Dia.	"A"
24'	14'4"	30'11"	19'4"	40'3"	23'10"	55'8"	32'10"	74'3"	40'4"
24'9"	15'10"	33"	19'4"	42'	23'10"	60'	32'10"	75'	40'4"
27'	15'10"	34'	20'4"	43'4"	26'10"	61'10"	34'4"	78'	42'4"
27'10"	17'4"	36'	20'4"	48'	26'10"	68'1"	37'4"	80'5"	44'4"
30'	17'4"	37'1"	21'10"	49'6"	27'10"	72'	38'10"		

Underbin Auger Powerheads (PAGE 3 OF 3)

PRICING GUIDE

Includes motor mounts, auger pulleys, belts, and belt guards. Order a motor pulley separately. Add the horsepower here to the underbin horsepower and order a motor as needed. 27° inclines have oversized transitions with bronze hanger bearings. Bin stands and cable kits (supports the auger on the bin) are optional. Vertical unloaders are double drive and include a 45° spout, adjustable galvanized pan spout, and a bin wall bracket. 10" vertical tubes are galvanized, 12" tubes are painted.

POWERHEADS FOR 8" UNDERBIN SYSTEMS						
UNLOADING AUGER	TUBE SIZE	HP	MOTOR PULLEY*	PART. NO.	WEIGHT	PRICE
Horizontal Head	8" x 30"	¼	2B3.4	044107	(89)	\$1,116.00
			3B3.4	044108	(94)	\$1,250.00
27° Incline	10" x 7'	2	2B3.4	044773	(170)	\$3,111.00
			3B3.4	044774	(176)	\$3,226.00
			4B3.4	044138	(185)	\$3,324.00
Vertical (for bins to 37'-1")	10" x 16'	7½	2B3.4 - 3B3.4	GH-1016E8C	(545)	\$5,112.00
POWERHEADS FOR 10" UNDERBIN SYSTEMS						
UNLOADING AUGER	TUBE SIZE	HP	MOTOR PULLEY*	PART. NO.	WEIGHT	PRICE
Horizontal Head	10" x 30"	¾	2B4.2	044117	(151)	\$1,410.00
			3B4.2	044118	(156)	\$1,537.00
			4B4.2	044119	(165)	\$1,719.00
27° Incline	12" x 7'	3	3B3.6	060616	(310)	\$4,077.00
			4B3.6	060617	(324)	\$4,187.00
Vertical (for bins to 37'-1")	12" x 16'	7½	2B3.4 - 3B4.2	GH-1216E10C	(970)	\$6,695.00
Vertical (bins 40'-3" and larger")			2B3.4 - 4B4.2	GH-1216E10C4	(970)	\$6,824.00
POWERHEADS FOR 12" UNDERBIN SYSTEMS						
UNLOADING AUGER	TUBE SIZE	HP	MOTOR PULLEY*	PART. NO.	WEIGHT	PRICE
Horizontal Head	12" x 30"	¾	2B4.8	GH-630C2	(178)	\$4,336.00
			3B4.8	GH-630C3	(196)	\$5,706.00
			4B4.8	GH-630C4	(324)	\$6,271.00

*Motor pulley required. Where two pulleys are shown, the first is for the vertical auger motor. The second is for the underbin auger motor.

ACCESSORIES			
ITEM DESCRIPTION	PART NUMBER	WEIGHT	PRICE
Bin Stand, 10" Incline	033514	(12)	\$164.00
Bin Stand, 12" Incline	033515	(30)	\$254.00
Bin Cable Kit, 10"/12" Incl.	033516	(18)	\$263.00
2B3.4 Pulley, use SH bush	025119	(3)	\$70.40
2B4.2 Pulley, use SH bush	025122	(3)	\$84.50
2B4.8 Pulley, use SD bush	025144	(4)	\$96.90
3B3.4 Pulley, use SH bush	025130	(4)	\$81.00
3B3.6 Pulley, use SH bush	025131	(4)	\$83.50
3B4.2 Pulley, use SH bush	025133	(5)	\$95.60
3B4.8 Pulley, use SD bush	025141	(8)	\$116.00
4B3.6 Pulley, use SD bush	032789	(5)	\$121.00
4B4.2 Pulley, use SD bush	032791	(6)	\$141.00
4B4.8 Pulley, use SD bush	025145	(7)	\$148.00
SH Bushing, 1-1/8"	025176	(1)	\$37.50
SH Bushing, 1-3/8"	025178	(1)	\$37.50
SH Bushing, 1-5/8"	025179	(1)	\$37.50
SD Bushing, 1-3/8"	025157	(1)	\$44.80
SD Bushing, 1-5/8"	025159	(1)	\$44.80
SDS Bushing, 1-3/8"	025169	(1)	\$37.50
SDS Bushing, 1-5/8"	025171	(1)	\$37.50

COMMERCIAL DUTY

Underbin Quick Price Guide (PAGE 1 OF 2)

PRICING GUIDE

Prices includes an underbin auger tube and flighting, one center sump, intermediate sumps as indicated, sump controls, bin wall plate (10" dryer floor only), and a slide gate control. Flighting length sized to extend into center sump and power head as necessary.

BIN DIAMETER	SUMPS*	8" SYSTEM				10" DRYER FLOOR			
		PART NO.	HP	WT.	PRICE	PART NO.	HP	WT.	PRICE
24'	1	GH8CU24	3	(448)	\$3,028.00	GH10DU24	5	(483)	\$3,424.00
24'9" - 27'	2	GH8CU27	3	(532)	\$3,679.00	GH10DU27	5	(549)	\$4,019.00
27'10" - 30'	2	GH8CU30	5	(569)	\$3,824.00	GH10DU30	5	(578)	\$4,150.00
30'11" - 33'	2	GH8CU33	5	(601)	\$3,967.00	GH10DU33	5	(628)	\$4,397.00
34' - 36'	3	GH8CU36	5	(690)	\$4,773.00	GH10DU36	7½	(692)	\$5,015.00
37'-1"	3	GH8CU37	5	(727)	\$4,931.00	GH10DU37	7½	(735)	\$5,290.00
40'3" - 42'	4	GH8CU42	5	(818)	\$5,600.00	GH10DU42	7½	(810)	\$5,893.00
43'4" - 48'	4	GH8CU48	5	(858)	\$5,811.00	GH10DU48	7½	(871)	\$6,196.00
49'6"	4	GH8CU49	5	(923)	\$6,066.00	GH10DU49	7½	(912)	\$6,423.00
55'8" - 60'	4	GH8CU60	5	(1,000)	\$6,370.00	GH10DU60	10	(1,010)	\$6,893.00
61'10"	4	GH8CU61	5	(1,071)	\$6,522.00	GH10DU61	10	(1,041)	\$7,057.00
68'1"	4	GH8CU68	5	(1,110)	\$6,796.00	GH10DU68	10	(1,116)	\$7,354.00
72'	4	GH8CU72	5	(1,128)	\$6,881.00	GH10DU72	10	(1,148)	\$7,627.00
74'3" - 75'	4	GH8CU75	7½	(1,159)	\$7,153.00	GH10DU75	10	(1,178)	\$8,002.00
78'	4	GH8CU78	7½	(1,184)	\$7,354.00	GH10DU78	10	(1,253)	\$8,187.00
80'5"	4	GH8CU80	10	(1,232)	\$7,499.00	GH10DU80	10	(1,296)	\$8,435.00

*Number of intermediate sumps included in addition to the center sump.

BIN DIAMETER	SUMPS*	10" CONCRETE FLOOR				12" SYSTEM			
		PART NO.	HP	WT.	PRICE	PART NO.	HP	WT.	PRICE
24'	1	GH10CU24	5	(613)	\$3,724.00	GH12CU24	5	(790)	\$4,279.00
24'9" - 27'	2	GH10CU27	5	(711)	\$4,455.00	GH12CU27	7½	(918)	\$5,137.00
27'10" - 30'	2	GH10CU30	5	(758)	\$4,660.00	GH12CU30	7½	(984)	\$5,437.00
30'11" - 33'	2	GH10CU33	5	(805)	\$4,886.00	GH12CU33	7½	(1,045)	\$5,707.00
34' - 36'	3	GH10CU36	7½	(899)	\$5,695.00	GH12CU36	7½	(1,157)	\$6,600.00
37'-1"	3	GH10CU37	7½	(959)	\$5,973.00	GH12CU37	10	(1,222)	\$6,830.00
40'3" - 42'	4	GH10CU42	7½	(1,066)	\$6,762.00	GH12CU42	10	(1,377)	\$7,737.00
43'4" - 48'	4	GH10CU48	7½	(1,129)	\$7,086.00	GH12CU48	10	(1,514)	\$8,097.00
49'6"	4	GH10CU49	7½	(1,202)	\$7,274.00	GH12CU49	10	(1,606)	\$8,395.00
55'8" - 60'	4	GH10CU60	10	(1,315)	\$7,835.00	GH12CU60	10	(1,816)	\$9,045.00
61'10"	4	GH10CU61	10	(1,398)	\$8,022.00	GH12CU61	10	(1,918)	\$9,252.00
68'1"	4	GH10CU68	10	(1,459)	\$8,471.00	GH12CU68	15	(2,018)	\$9,724.00
72'	4	GH10CU72	10	(1,486)	\$8,639.00	GH12CU72	15	(2,072)	\$9,934.00
74'3" - 75'	4	GH10CU75	10	(1,516)	\$8,933.00	GH12CU75	15	(2,123)	\$10,144.00
78'	4	GH10CU78	10	(1,591)	\$9,227.00	GH12CU78	15	(2,201)	\$10,474.00
80'5"	4	GH10CU80	10	(1,663)	\$9,452.00	GH12CU80	15	(2,297)	\$10,718.00

*Number of intermediate sumps included in addition to the center sump.

Underbin Quick Price Guide (PAGE 2 OF 2)

HORIZONTAL HEAD SECTIONS					
HEAD SECTIONS	BIN SIZES	BELTS	PART NO.	WT.	PRICE
8" x 30"	24' - 60'	2	044107	(89)	\$1,116.00
	72' - 90'	3	044108	(94)	\$1,250.00
10" x 30"	24' - 48'	2	044117	(151)	\$1,410.00
	60' - 78'	3	044118	(156)	\$1,537.00
	80'5"	4	044119	(165)	\$1,719.00
12" x 30"	24' - 48'	2	GH-630C2	(178)	\$4,336.00
	60' - 78'	3	GH-630C3	(196)	\$5,706.00
	80'5"	4	GH-630C4	(324)	\$6,271.00

COMMERCIAL DUTY

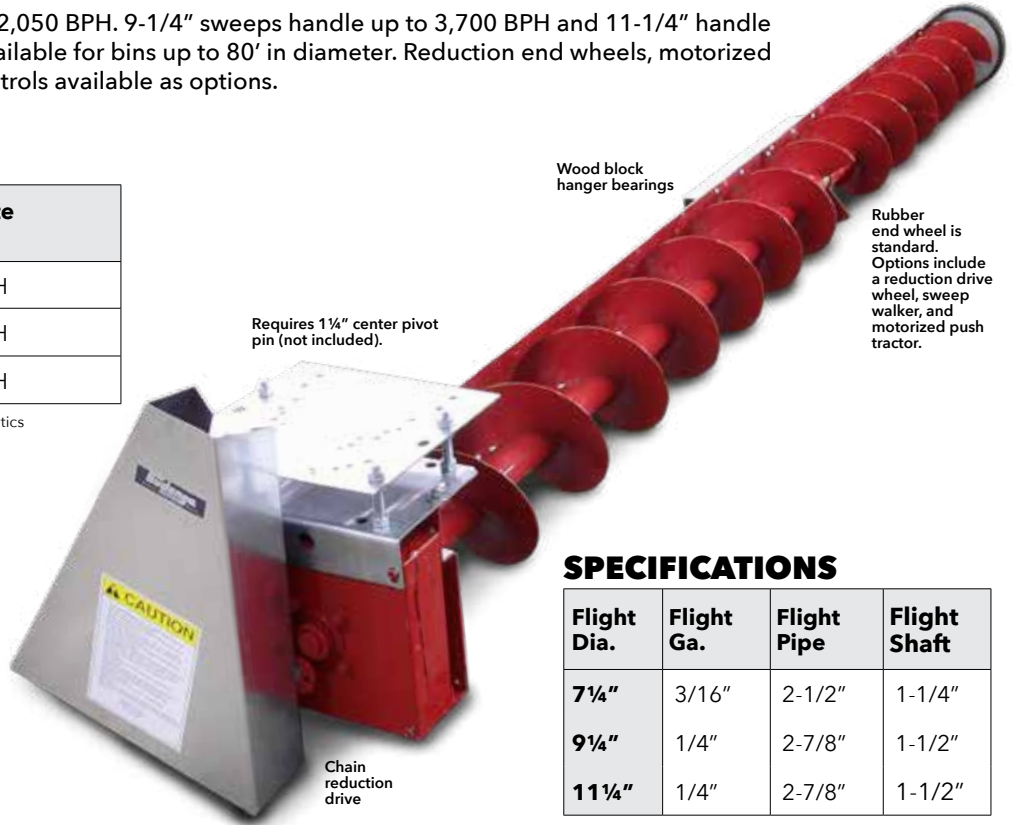
Series 1 Sweep Augers (1 OF 5)

7-1/4" sweeps handle up to 2,050 BPH. 9-1/4" sweeps handle up to 3,700 BPH and 11-1/4" handle up to 5,900 BPH. Sweeps available for bins up to 80' in diameter. Reduction end wheels, motorized push tractors and sweep controls available as options.

CAPACITIES

Sweep Diameter	Approximate Capacities*
7 1/4"	To 2,050 BPH
9 1/4"	To 3,700 BPH
11 1/4"	To 5,900 BPH

*Dependent on RPM and material characteristics



SPECIFICATIONS

Flight Dia.	Flight Ga.	Flight Pipe	Flight Shaft
7 1/4"	3/16"	2-1/2"	1-1/4"
9 1/4"	1/4"	2-7/8"	1-1/2"
11 1/4"	1/4"	2-7/8"	1-1/2"

PRICING GUIDE

Sweeps include a reduction drive, auger pulley, belts, belt guard, and end wheel. Order the motor pulley/hub separately. A sweep carrier is included on bins 48 ft. and larger for uneven floors. Contact factory for Series I Sweeps in bins over 80'-5". Motors sold separately.

7 1/4" SWEEP AUGERS						
BIN DIA.	SUMPS*	HP	PULLEY**	PART NO.	WT.	PRICE
24'	1	3	1B3.4	GHCS-1024	(190)	\$2,618.00
24'9"	2	3	1B3.4	GHCS-1025	(200)	\$2,657.00
27'	2	3	1B3.4	GHCS-1027	(206)	\$2,775.00
27'10"	2	3	1B3.4	GHCS-1028	(211)	\$2,815.00
30'	2	3	1B3.4	GHCS-1030	(224)	\$2,994.00
30'11"	2	3	1B3.4	GHCS-1031	(229)	\$3,033.00
33'	2	3	1B3.4	GHCS-1033	(240)	\$3,170.00
34'	3	3	1B3.4	GHCS-1034	(245)	\$3,206.00
36'	3	3	1B3.4	GHCS-1036	(258)	\$3,330.00
37'1"	3	3	1B3.4	GHCS-1037	(264)	\$3,364.00
40'3"	4	3	1B3.4	GHCS-1040	(282)	\$3,534.00
42'	4	3	1B3.4	GHCS-1042	(292)	\$3,610.00
43'4"	4	3	1B3.4	GHCS-1043	(305)	\$3,654.00

*Recommended number of intermediate sumps.
 **Recommended motor pulley

CHART CONTINUED ON NEXT PAGE >>>

NOTICE

Sweeps are designed for single pass operation, but the bin must be warranted for single pass operation to do this.

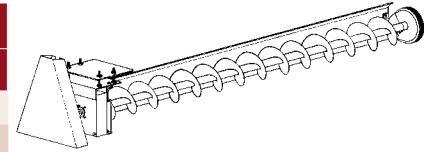
Horsepowers are the minimum recommended for dry shelled corn. Soybeans or other hard to convey material will require more horsepower and reduce capacities. Contact factory for drive and HP information.

Do not leave the sweep attached to the center sump when filling the bin. Grain weight on the sweep may prevent gate movement and damage the sump and/or sweep.

Sweeps are designed for 60 HZ. Contact factory for 50 HZ.

Contact the factory for explosion proof applications.

Series 1 Sweep Augers (PAGE 2 OF 5)



7¼" SWEEP AUGERS (CONTINUED)						
BIN DIA.	SUMPS*	HP	PULLEY**	PART NO.	WT.	PRICE
48'	4	5	2B3.4	GHCS-1048	(354)	\$3,802.00
49'6"	4	5	2B3.4	GHCS-1049	(362)	\$3,839.00
55'8"	4	5	2B3.4	GHCS-1056	(392)	\$4,022.00
59'1"	4	5	2B3.4	GHCS-1059	(410)	\$4,083.00
60'	4	5	2B3.4	GHCS-1060	(423)	\$4,138.00
61'10"	4	5	2B3.4	GHCS-1062	(428)	\$4,174.00
68'1"	4	7½	3B3.4	GHCS-1068	(473)	\$4,433.00
72'	4	7½	3B3.4	GHCS-1072	(494)	\$4,539.00
74'3"-75'	4	7½	3B3.4	GHCS-1074	(512)	\$4,694.00
78'	4	7½	3B3.4	GHCS-1078	(530)	\$5,253.00
80'5"	4	7½	3B3.4	GHCS-1080	(550)	\$5,474.00

*Recommended number of intermediate sumps. **Recommended motor pulley

9¼" SWEEP AUGERS						
BIN DIA.	SUMPS*	HP	PULLEY**	PART NO.	WT.	PRICE
24'	1	3	1B4.4	GHCS-1224	(270)	\$3,826.00
24'9"	2	3	1B4.4	GHCS-1225	(284)	\$3,878.00
27'	2	3	1B4.4	GHCS-1227	(294)	\$3,882.00
27'10"	2	3	1B4.4	GHCS-1228	(301)	\$3,935.00
30'	2	3	1B4.4	GHCS-1230	(313)	\$4,005.00
30'11"	2	3	1B4.4	GHCS-1231	(318)	\$4,055.00
33'	2	3	1B4.4	GHCS-1233	(340)	\$4,088.00
34'	3	3	1B4.4	GHCS-1234	(348)	\$4,142.00
36'	3	3	1B4.4	GHCS-1236	(364)	\$4,161.00
37'1"	3	3	1B4.4	GHCS-1237	(372)	\$4,218.00
40'3"	4	5	1B4.4	GHCS-1240	(397)	\$4,347.00
42'	4	5	1B4.4	GHCS-1242	(410)	\$4,412.00
43'4"	4	5	1B4.4	GHCS-1243	(420)	\$4,471.00
48'	4	5	1B4.4	GHCS-1248	(477)	\$4,891.00
49'6"	4	5	1B4.4	GHCS-1249	(491)	\$4,944.00
55'8"	4	5	1B4.4	GHCS-1256	(534)	\$5,180.00
59'1"	4	7½	2B4.4	GHCS-1259	(550)	\$5,243.00
60'	4	7½	2B4.4	GHCS-1260	(577)	\$5,328.00
61'10"	4	7½	2B4.4	GHCS-1262	(585)	\$5,429.00
68'1"	4	7½	2B4.4	GHCS-1268	(642)	\$5,580.00
72'	4	7½	2B4.4	GHCS-1272	(670)	\$5,843.00
74'3"-75'	4	7½	2B4.4	GHCS-1274	(693)	\$5,958.00
78'	4	10	2B4.4	GHCS-1278	(716)	\$6,853.00
80'5"	4	10	2B4.4	GHCS-1280	(743)	\$7,355.00

*Recommended number of intermediate sumps. **Recommended motor pulley

11¼" SWEEP AUGERS						
BIN DIA.	SUMPS*	HP	PULLEY**	PART NO.	WT.	PRICE
24'	1	3	1B4.4	GHCS-1424	(323)	\$7,138.00
24'9"	2	3	1B4.4	GHCS-1425	(328)	\$7,344.00
27'	2	3	1B4.4	GHCS-1427	(349)	\$7,375.00
27'10"	2	3	1B4.4	GHCS-1428	(358)	\$7,513.00
30'	2	3	1B4.4	GHCS-1430	(375)	\$7,558.00

*Recommended number of intermediate sumps.
**Recommended motor pulley

CHART CONTINUED ON NEXT PAGE >>>

Series 1 Sweep Augers (PAGE 3 OF 5)

1 1/4" SWEEP AUGERS (CONTINUED)						
BIN DIA.	SUMPS*	HP	PULLEY**	PART NO.	WT.	PRICE
30'11"	2	3	1B4.4	GHCS-1431	(383)	\$7,673.00
33'	2	3	1B4.4	GHCS-1433	(401)	\$7,748.00
34'	3	3	1B4.4	GHCS-1434	(410)	\$7,867.00
36'	3	5	1B4.4	GHCS-1436	(428)	\$7,945.00
37'1"	3	5	1B4.4	GHCS-1437	(441)	\$8,160.00
40'3"	4	5	1B4.4	GHCS-1440	(467)	\$8,269.00
42'	4	5	1B4.4	GHCS-1442	(480)	\$8,391.00
43'4"	4	5	1B4.4	GHCS-1443	(493)	\$8,475.00
48'	4	7 1/2	2B4.4	GHCS-1448	(560)	\$9,078.00
49'6"	4	7 1/2	2B4.4	GHCS-1449	(569)	\$9,193.00
55'8"	4	7 1/2	2B4.4	GHCS-1456	(621)	\$9,324.00
59'1"	4	7 1/2	2B4.4	GHCS-1459	(650)	\$9,345.00
60'	4	7 1/2	2B4.4	GHCS-1460	(665)	\$9,495.00
61'10"	4	7 1/2	2B4.4	GHCS-1462	(687)	\$9,596.00
68'1"	4	7 1/2	2B4.4	GHCS-1468	(738)	\$10,037.00
72'	4	7 1/2	2B4.4	GHCS-1472	(770)	\$10,251.00
74'3"-75'	4	10	2B4.4	GHCS-1474	(796)	\$10,482.00
78'	4	10	2B4.4	GHCS-1478	(822)	\$11,019.00
80'5"	4	10	2B4.4	GHCS-1480	(853)	\$11,572.00

*Recommended number of intermediate sumps. **Recommended motor pulley

Pulleys, Bushings

PULLEYS, BUSHINGS			
ITEM DESCRIPTION	PART NUMBER	WEIGHT	PRICE
1B3.4 Pulley, use SH bush	025107	(2)	\$51.50
1B4.4 Pulley, use SH bush	025111	(2)	\$69.60
2B3.4 Pulley, use SH bush	025119	(3)	\$70.40
2B4.4 Pulley, use SH bush	025123	(5)	\$87.50
3B3.4 Pulley, use SH bush	025130	(4)	\$81.00
3B3.4 Pulley, use SH bush	025134	(6)	\$103.00
SH Bushing, 1 1/8"	025176	(1)	\$37.50
SH Bushing, 1 1/4"	025177	(1)	\$37.50
SH Bushing, 1 3/8"	025178	(1)	\$37.50
SH Bushing, 1 5/8"	025179	(1)	\$37.50

Series 1 Sweep Augers (PAGE 4 OF 5)

Accessories

■ **TRACTOR DRIVE:** Ideally suited to replace mechanical reduction end wheels or sweep walkers. Provides more control over advancement of the sweep from outside the bin. Great for upgrading existing sweeps to a more “zero-entry” complaint form. The 3/4 HP explosion proof motor, oil-bath worm gear reducer drive, and 4.8”/4.0” tires provide positive, aggressive sweep movement. Eight suitcase weights are provided, with room for many more. Order with the optional but recommended Auto Advance to control movement from outside. Fits Sudenga commercial sweeps and many other manufacturer’s commercial sweeps.



Sweep stop



Reduction end wheel



Tractor drive



Sweep walker



Sweep carrier

- **REDUCTION DRIVE WHEEL:** Less wheel spin and longer wheel life.
- **SWEEP WALKER:** Steel wheel durability and rubber wheels traction. Offset cams produce positive movement in grain. Height adjustment for uneven floors. Greasable bronze bearings.
- **SWEEP CARRIER:** Keeps sweep flightings from “bottoming out” on uneven floors. One carrier is supplied with sweeps for bins 48 ft. and larger. Extra carriers may be added as desired.
- **SWEEP STOP:** Attaches to the inside of the bin wall. Limits the sweep to one revolution.
- **CASTORING JACK:** Easy positioning of the sweep over the center sump.

ACCESSORIES									
	7¼" FLIGHT SWEEP			9¼" FLIGHT SWEEP			11¼" FLIGHT SWEEP		
	PART NO.	WT.	PRICE	PART NO.	WT.	PRICE	PART NO.	WT.	PRICE
Tractor Drive*	055452	(435)	\$5,294.00	055453	(410)	\$5,294.00	055454	(410)	\$5,294.00
Suitcase Weight	024362	(20)	\$53.40	024362	(20)	\$53.40	024362	(20)	\$53.40
Reduction Wheel Drive	039769	(39)	\$376.00	039776	(40)	\$397.00	039771	(49)	\$627.00
Sweep Walker	GHSW-2016	(11)	\$292.00	GHSW-2416	(8)	\$317.00	GHSW-2416	(8)	\$317.00
Sweep Carrier	034621	(25)	\$295.00	034621	(25)	\$295.00	034020	(26)	\$317.00
Sweep Stop	034450	(10)	\$151.00	034450	(10)	\$151.00	034450	(10)	\$151.00
Castoring Jack	020070	(45)	\$436.00	020070	(45)	\$436.00	020070	(45)	\$436.00

* Includes 8 suitcase weights

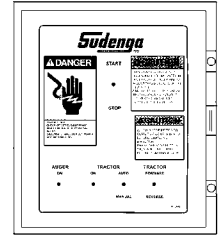
Series 1 Sweep Augers (PAGE 5 OF 5)



Auto Advance I

Auto Advance is highly recommended for all sweeps with tractor drive. Manual monitoring of the system is eliminated, tire and component wear is reduced, and the sweep performs at an optimum BPH for more efficient unloading.

Auto Advance controls sweep movement by monitoring sweep motor amperage. When the Sweep is loaded to a pre-set point, the Auto Advance stops the Tractor Drive Wheels. When enough grain is carried away to reduce motor amperage, the Tractor Drive Wheel restarts, resuming sweep travel. Exclusive Auto Reverse senses grain avalanches and backs the sweep out of the pile.



AUTO ADVANCE I							
HORSEPOWER		230 VAC			460 VAC		
SWEEP	TRACTOR	PART NO.	WT.	PRICE	PART NO.	WT.	PRICE
3	¾	096087	(15)	\$5,716.00	096090	(15)	\$5,358.00
5	¾	096088	(15)	\$5,424.00	096091	(15)	\$5,321.00
7½	¾	096089	(15)	\$5,597.00	096092	(15)	\$5,473.00
10	¾	096093	(15)	\$6,220.00	096096	(15)	\$5,612.00

NOTE: Contact factory for 50 Hz applications.

FEATURES

- Automatic and manual operation (with auto reverse).
- Starters for the sweep and tractor motors are included.
- Wiring from the advance control to sweep is not included.
- Controls one bin at a time, but can be moved to other bins of the same diameter with the addition of field installed plugs.

NOTES:

COMMERCIAL DUTY

D Series Sweeps (PAGE 1 OF 9)

A true zero-entry sweep system that handles the extreme demands of commercial grain handling applications. D Series zero-entry commercial sweeps available for grain bins up to 139' diameter. 11¼" D100 and D150 models available in capacities to 6,000 BPH. 16" D150 models available for capacities to 10,000 BPH. Sweeps are advanced by a motorized push tractor or floor mounted track drive. Patented above floor electrical collector ring and auto advance sweep controls allow the sweep to be wired permanently and controlled totally from outside the bin.



Sweep Model	Flight Dia.	Capacity (dry corn)	Bin Dia.	Max. Bin Height
D100	11¼"	6,000 BPH	36-105 ft.	100 ft.
D150	11¼" & 16"	6,000/10,000 BPH	36-139 ft.	150 ft.

Other material capacities available on request.

FEATURES

- **Patented collector ring (optional):** No need to enter the bin! Sweeps with the Sudenga above-floor collector ring option are as close to zero- entry as possible in normal sweep operation. Mounting the electrical collector ring above the floor means less space is required under the floor for the center sump. Sump depth is only 16". The sweep is permanently installed, and the collector ring provides permanent power to the sweep and tractor drives.
- **Trac drive or tractor drive options:** Both drive types offer positive forward and reverse movement in grain. The drives rest on the bin floor under grain weight and self-raise for operation as the gates remove grain over and around them. No need to enter the bin to prep the sweep.
- **Auto advance (optional):** Controls sweep movement by monitoring the sweep motor amperage. When excessive amperage is detected, the auto advance stops the sweep drive. When enough grain is carried away to lower the amperage, the drive unit restarts. A reverse feature senses grain avalanches and backs the sweep up.
- **Clean sweep:** Standard on all sweeps. Nylon bristles contact the floor, dramatically reducing the amount of manual sweeping required after bin unloading.
- **Sweep extensions:** Four sweep extensions and backshields are supplied to allow 3" to 21" of sweep extension in 3" increments. The sweep length is adjusted after installation to make the shortest sweep-to-wall gap in bins that are out of round or have off-center sweep pivots.
- **Spring loaded suspension:** Automatically, under grain weight, settle the system on skids to protect the sweep and bin floor when the bin is filled. When grain weight is removed, the springs raise the sweeps and tractors to operating height. The tractor carries the sweep during operation, ensuring proper sweep advancement.
- **Wood block hanger bearings:** Bearings located in 10 feet intervals.
- The sweeps lead with the flighting for a "full-bite" in tough, stubborn grain.
- Available in electric or hydraulic drive formats

D Series Sweeps (PAGE 2 OF 9)



BENEFITS OF "ZERO-ENTRY"

Grain engulfment in storage bins historically leads to more injuries and deaths than sweep entanglement. Some "zero-entry" sweeps require personnel to enter the bin to move grain and manually raise the sweep before it can be engaged. It is during this window, when grain is in its inverted cone state, that a serious risk of engulfment exists. D100 and D150 Sweeps are designed with a self-raising and lowering feature, eliminating the need for personnel to prep the sweep prior to filling or engagement.

Some "zero entry" sweeps require a power cord to be run into the

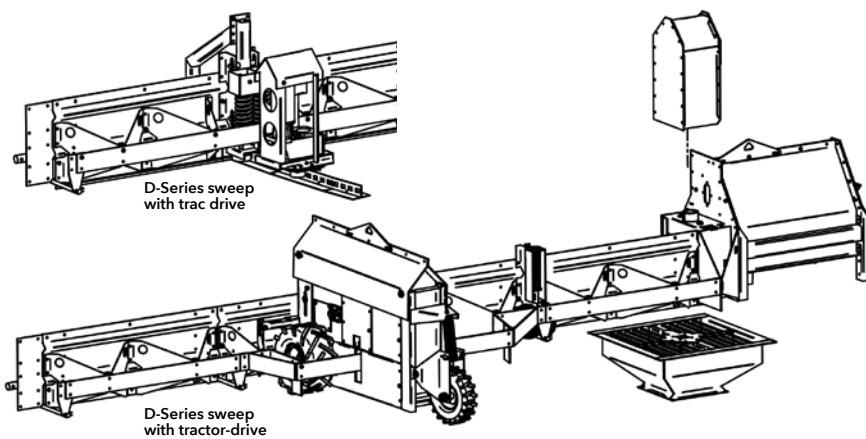
bin. When D100/D150 sweeps are equipped with the Sudenga Above-Floor Collector Ring option, there is no reason to enter the bin as part of normal sweep operation. The sweep is permanently installed, and the Slip Ring provides a permanent source of power for the sweep and tractor drives. When the intermediate sumps have drained enough grain to uncover the sweep, the sweep is started and operated from outside the bin with Sudenga's Auto Advance panel.

Only normal sweep maintenance typically requires someone to enter the bin. Always follow grain management



Low profile sump w/ gate

practices which ensure grain remains in good, free-flowing condition. Be sure proper guards are installed over any exposed floor intakes and always follow proper lock out/tag out procedures whenever working with, or around any equipment.



SPECIFICATIONS

Model	Flight Diameter	Flight Ga.	Flight Pipe	Flight Shaft	Back Shield
D100	11¼"	.250	2-7/8"	2"	10 ga.
D150	11¼"	.375	2-7/8"	2"	8 ga.
D150	16"	.438	4"	3"	8 ga.

⚠ NOTICE ⚠

Maximum bin eave height for the D150 is 150 ft. for dry corn. Maximum bin eave height for the D100 is 100 ft. for dry corn.

Sweeps are designed for single pass operation, but the bin must be warranted for single pass operation to do this.

Horsepowers are minimum recommended for dry shelled corn. Soybeans or other hard to convey material will require more horsepower and reduce capacities. Contact factory for drive and HP information.

Sweeps are 60 HZ. Contact the factory for 50 HZ.

Site specific electrical requirements are responsibility of customer/installer. Notify factory of any special considerations prior to ordering.

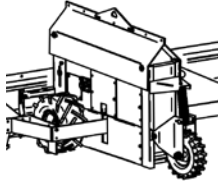
Hydraulic power is available. Contact the factory.

PATENTS APPLIES:

www.sudenga.com/about-us/patented-products

D Series Sweeps (PAGE 3 OF 9)

D150 with Tractor Drive



PRICING GUIDE

Intermediate sump recommendations below are the number required under the sweep. If sumps are installed across the full diameter of the bin, more sumps will be required. Order separately. Sweeps have in-line helical reduction drive (no belts/pulleys). Clean sweep is standard, minimizing floor cleanup. C-face electric motor not included.

*Minimum number of intermediate sumps/spouts required under the sweep. The first number is for 12" inlets. The second is for 24" inlets.

NOTE: Horsepower listed is for 60 Hz applications in dry corn in free-flowing condition. Contact the factory for variations in capacity, commodities other than corn, or 50 Hz applications.

D150, TRACTOR DRIVE, 16" FLIGHT									
BIN DIAMETER	SUMPS*		HP	WITH COLLECTOR			W/O COLLECTOR		
	12"	24"		PART NO.	WT.	PRICE	PART NO.	WT.	PRICE
30'	2	2	7½	D16030-CR	(4,525)	\$46,122.00	D16030	(4,050)	\$41,106.00
36'	2	2	7½	D16036-CR	(4,688)	\$48,527.00	D16036	(4,213)	\$43,311.00
40'3"	2	2	10	D16040-CR	(4,874)	\$49,201.00	D16040	(4,398)	\$44,202.00
42'	3	3	10	D16042-CR	(4,983)	\$49,997.00	D16042	(4,508)	\$45,161.00
48'	4	4	10	D16048-CR	(5,191)	\$50,627.00	D16048	(4,715)	\$45,410.00
49'6"	4	4	10	D16049-CR	(5,272)	\$51,007.00	D16049	(4,796)	\$45,790.00
54'2"	4	4	10	D16054-CR	(5,521)	\$51,847.00	D16054	(5,046)	\$46,634.00
55'8"	4	4	10	D16055-CR	(5,521)	\$53,527.00	D16055	(5,046)	\$48,312.00
59'1"	5	4	15	D16059-CR	(5,730)	\$54,604.00	D16059	(5,254)	\$49,388.00
60'	5	4	15	D16060-CR	(5,730)	\$55,237.00	D16060	(5,254)	\$50,022.00
61'10"	5	5	15	D16061-CR	(5,815)	\$55,909.00	D16061	(5,340)	\$50,692.00
68'1"	6	5	15	D16068-CR	(6,146)	\$60,283.00	D16068	(5,671)	\$55,066.00
72'	6	5	15	D16072-CR	(6,523)	\$60,424.00	D16072	(6,048)	\$56,460.00
74'3" - 75'	6	5	15	D16074-CR	(6,602)	\$62,379.00	D16074	(6,127)	\$57,163.00
78'	7	6	15	D16078-CR	(6,791)	\$63,031.00	D16078	(6,316)	\$57,815.00
80'5"	7	6	15	D16080-CR	(6,875)	\$63,813.00	D16080	(6,396)	\$63,813.00
88'7"	7	6	20	D16088-CR	(7,124)	\$66,520.00	D16088	(6,650)	\$61,307.00
90'	8	6	20	D16090-CR	(7,205)	\$67,186.00	D16090	(6,730)	\$61,969.00
91'10"	8	7	20	D16091-CR	(7,367)	\$67,890.00	D16091	(6,892)	\$62,675.00
92'9"	8	7	20	D16092-CR	(7,367)	\$68,116.00	D16092	(6,892)	\$62,902.00
105'	9	7	25	D16105-CR	(8,160)	\$72,272.00	D16105	(7,685)	\$67,058.00
120'	10	8	25	D16120-CR	(8,848)	\$77,260.00	D16120	(8,374)	\$72,045.00
131'	10	9	30	D16131-CR	(9,303)	\$83,492.00	D16131	(8,830)	\$78,276.00
135'	11	9	30	D16135-CR	(9,492)	\$83,615.00	D16135	(9,018)	\$78,399.00
136'	11	9	30	D16136-CR	(9,492)	\$87,752.00	D16136	(9,018)	\$82,536.00
139'	11	9	30	D16139-CR	(9,678)	\$97,537.00	D16139	(9,304)	\$92,324.00

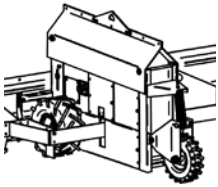
D150, TRACTOR DRIVE, 11 ¼" FLIGHT									
BIN DIAMETER	SUMPS*		HP	WITH COLLECTOR			W/O COLLECTOR		
	12"	24"		PART NO.	WT.	PRICE	PART NO.	WT.	PRICE
30'	2	2	7½	D12030-CR	(3,967)	\$37,547.00	D12030	(3,492)	\$31,044.00
36'	2	2	7½	D12036-CR	(4,080)	\$37,925.00	D12036	(3,605)	\$31,420.00
40'3"	2	2	7½	D12040-CR	(4,207)	\$38,740.00	D12040	(3,732)	\$32,039.00
42'	3	3	7½	D12042-CR	(4,280)	\$38,884.00	D12042	(3,805)	\$32,261.00
48'	4	4	7½	D12048-CR	(4,483)	\$39,606.00	D12048	(3,950)	\$33,102.00
49'6"	4	4	7½	D12049-CR	(4,484)	\$39,882.00	D12049	(4,007)	\$33,378.00
54'2"	4	4	7½	D12054-CR	(4,644)	\$40,692.00	D12054	(4,170)	\$34,188.00
55'8"	4	4	7½	D12055-CR	(4,644)	\$40,831.00	D12055	(4,170)	\$34,327.00
59'1"	5	4	7½	D12059-CR	(4,792)	\$41,406.00	D12059	(4,317)	\$34,901.00
60'	5	4	10	D12060-CR	(4,792)	\$41,663.00	D12060	(4,317)	\$35,159.00
61'10"	5	5	10	D12061-CR	(4,844)	\$41,940.00	D12061	(4,370)	\$35,436.00
68'1"	6	5	10	D12068-CR	(4,990)	\$42,911.00	D12068	(4,514)	\$36,408.00
72'	6	5	10	D12072-CR	(5,154)	\$43,355.00	D12072	(4,679)	\$36,851.00

CHART CONTINUED ON NEXT PAGE >>>

D Series Sweeps (PAGE 4 OF 9)

BIN DIAMETER	SUMPS*		HP	WITH COLLECTOR			W/O COLLECTOR		
	12"	24"		PART NO.	WT.	PRICE	PART NO.	WT.	PRICE
74'3" - 75'	6	5	10	D12074-CR	(5,208)	\$43,757.00	D12074	(4,733)	\$37,254.00
78'	7	6	10	D12078-CR	(5,299)	\$44,284.00	D12078	(4,824)	\$37,780.00
80'5"	7	6	10	D12080-CR	(5,408)	\$44,552.00	D12080	(4,932)	\$38,048.00
88'7"	7	6	15	D12088-CR	(5,653)	\$45,678.00	D12088	(5,178)	\$39,175.00
90'	8	6	15	D12090-CR	(5,711)	\$45,931.00	D12090	(5,235)	\$39,426.00
91'10"	8	7	15	D12091-CR	(5,811)	\$46,195.00	D12091	(5,336)	\$39,694.00
92'9"	8	7	15	D12092-CR	(5,811)	\$46,477.00	D12092	(5,336)	\$39,973.00
105'	9	7	15	D12105-CR	(6,175)	\$50,239.00	D12105	(5,700)	\$43,736.00

D100 with Tractor Drive



PRICING GUIDE

Intermediate sump recommendations below are the number required under the sweep. If sumps are installed across the full diameter of the bin, more sumps will be required. Order separately. Sweeps have in-line helical reduction drive (no belts/pulleys). Clean sweep is standard, minimizing floor cleanup. C-face electric motor not included.

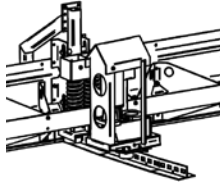
D100, TRACTOR DRIVE, 11¼" FLIGHT									
BIN DIAMETER	SUMPS*		HP	WITH COLLECTOR			W/O COLLECTOR		
	12"	24"		PART NO.	WT.	PRICE	PART NO.	WT.	PRICE
24'	2	2	7½	SD12024-CR	(3,550)	\$33,107.00	SD12024	(3,067)	\$26,606.00
30'	2	2	7½	SD12030-CR	(3,645)	\$33,482.00	SD12030	(3,170)	\$27,480.00
36'	2	2	7½	SD12036-CR	(3,745)	\$34,107.00	SD12036	(3,273)	\$27,856.00
40'3"	2	2	7½	SD12040-CR	(3,853)	\$34,377.00	SD12040	(3,378)	\$28,083.00
42'	3	3	7½	SD12042-CR	(3,914)	\$34,502.00	SD12042	(3,438)	\$28,251.00
48'	4	4	7½	SD12048-CR	(4,026)	\$34,658.00	SD12048	(3,550)	\$28,406.00
49'6"	4	4	7½	SD12049-CR	(4,075)	\$35,418.00	SD12049	(3,600)	\$29,166.00
54'2"	4	4	7½	SD12054-CR	(4,232)	\$35,593.00	SD12054	(3,756)	\$29,342.00
55'8"	4	4	7½	SD12055-CR	(4,232)	\$35,666.00	SD12055	(3,756)	\$29,473.00
59'1"	5	4	7½	SD12059-CR	(4,343)	\$36,439.00	SD12059	(3,868)	\$30,186.00
60'	5	4	10	SD12060-CR	(4,343)	\$36,541.00	SD12060	(3,868)	\$30,289.00
61'10"	5	5	10	SD12061-CR	(4,400)	\$36,642.00	SD12061	(3,924)	\$30,391.00
68'1"	6	5	10	SD12068-CR	(4,512)	\$37,141.00	SD12068	(4,037)	\$30,890.00
72'	6	5	10	SD12072-CR	(4,667)	\$37,619.00	SD12072	(4,191)	\$31,369.00
74'3" - 75'	6	5	10	SD12074-CR	(4,717)	\$37,917.00	SD12074	(4,242)	\$31,666.00
78'	7	6	10	SD12078-CR	(4,779)	\$38,118.00	SD12078	(4,304)	\$31,868.00
80'5"	7	6	10	SD12080-CR	(4,829)	\$38,218.00	SD12080	(4,354)	\$31,967.00
88'7"	7	6	15	SD12088-CR	(5,098)	\$38,602.00	SD12088	(4,622)	\$32,352.00
90'	8	6	15	SD12090-CR	(5,148)	\$38,710.00	SD12090	(4,672)	\$32,459.00
91'10"	8	7	15	SD12091-CR	(5,252)	\$39,350.00	SD12091	(4,777)	\$33,099.00
92'9"	8	7	15	SD12092-CR	(5,252)	\$39,507.00	SD12092	(4,777)	\$33,257.00
105'	9	7	15	SD12105-CR	(5,570)	\$43,690.00	SD12105	(5,095)	\$37,501.00

*Minimum number of intermediate sumps/spouts required under the sweep. The first number is for 12" inlets. The second is for 24" inlets.

NOTE: Horsepower listed is for 60 Hz applications in dry corn in free-flowing condition. Contact the factory for variations in capacity, commodities other than corn, or 50 Hz applications.

D Series Sweeps (PAGE 5 OF 9)

D150 with Trac Drive



PRICING GUIDE

Intermediate sump recommendations below are the number required under the sweep. If sumps are installed across the full diameter of the bin, more sumps will be required. Order separately. Sweeps have in-line helical reduction drive (no belts/pulleys). Clean sweep is standard, minimizing floor cleanup. C-face electric motor not included.

*Minimum number of intermediate sumps/spouts required under the sweep. The first number is for 12" inlets. The second is for 24" inlets

NOTE: Horsepower listed is for 60 Hz applications in dry corn in free-flowing condition. Contact the factory for variations in capacity, commodities other than corn, or 50 Hz applications.

D150, TRAC DRIVE, 16" FLIGHT									
BIN DIAMETER	SUMPS*		HP	WITH COLLECTOR			W/O COLLECTOR		
	12"	24"		PART NO.	WT.	PRICE	PART NO.	WT.	PRICE
36'	2	2	7½	D16036T-CR	(4,482)	\$47,816.00	D16036T	(4,022)	\$44,144.00
42'	3	3	7½	D16042T-CR	(4,865)	\$49,177.00	D16042T	(4,240)	\$45,194.00
48'	4	4	10	D16048T-CR	(4,931)	\$49,915.00	D16048T	(4,471)	\$46,243.00
49'6"	4	4	10	D16049T-CR	(4,967)	\$50,296.00	D16049T	(4,507)	\$46,625.00
54'2"	4	4	10	D16054T-CR	(5,379)	\$51,852.00	D16054T	(4,919)	\$48,180.00
55'8"	4	4	10	D16055T-CR	(5,435)	\$53,532.00	D16055T	(4,975)	\$49,859.00
59'1"	5	4	15	D16059T-CR	(5,635)	\$54,609.00	D16059T	(5,175)	\$50,934.00
60'	5	4	15	D16060T-CR	(5,673)	\$55,240.00	D16060T	(5,213)	\$51,568.00
61'10"	5	5	15	D16061T-CR	(5,748)	\$56,889.00	D16061T	(5,288)	\$53,216.00
68'1"	6	5	15	D16068T-CR	(5,945)	\$59,211.00	D16068T	(5,485)	\$55,538.00
72'	6	5	15	D16072T-CR	(6,095)	\$60,604.00	D16072T	(5,635)	\$56,932.00
74'3" - 75'	6	5	15	D16074T-CR	(6,170)	\$61,308.00	D16074T	(5,710)	\$57,635.00
78'	7	6	15	D16078T-CR	(6,319)	\$61,959.00	D16078T	(5,859)	\$58,286.00
80'5"	7	6	15	D16080T-CR	(6,394)	\$62,742.00	D16080T	(5,934)	\$59,070.00
88'7"	7	6	20	D16088T-CR	(7,256)	\$67,120.00	D16088T	(6,796)	\$63,448.00
90'	8	6	20	D16090T-CR	(7,330)	\$67,786.00	D16090T	(6,870)	\$64,113.00
91'10"	8	7	20	D16091T-CR	(7,357)	\$68,490.00	D16091T	(6,897)	\$64,817.00
92'9"	8	7	20	D16092T-CR	(7,432)	\$68,715.00	D16092T	(6,972)	\$65,043.00
105'	9	7	25	D16105T-CR	(8,603)	\$74,690.00	D16105T	(8,143)	\$71,018.00
120'	10	8	25	D16120T-CR	(9,298)	\$79,677.00	D16120T	(8,822)	\$76,005.00
131'	10	9	30	D16131T-CR	(9,693)	\$85,909.00	D16131T	(9,233)	\$82,236.00
136'	11	9	30	D16136T-CR	(9,955)	\$90,169.00	D16136T	(9,495)	\$86,497.00

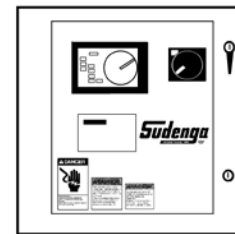
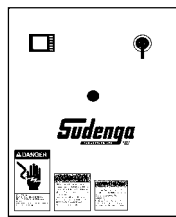
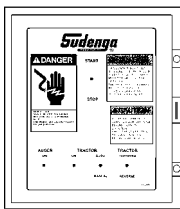
D150, TRAC DRIVE, 11½" FLIGHT									
BIN DIAMETER	SUMPS*		HP	WITH COLLECTOR			W/O COLLECTOR		
	12"	24"		PART NO.	WT.	PRICE	PART NO.	WT.	PRICE
36'	2	2	7½	D12036T-CR	(3,309)	\$37,213.00	D12036T	(2,849)	\$33,541.00
42'	3	3	7½	D12042T-CR	(3,965)	\$38,120.00	D12042T	(3,140)	\$34,791.00
48'	4	4	7½	D12048T-CR	(3,600)	\$39,089.00	D12048T	(3,140)	\$35,225.00
49'6"	4	4	7½	D12049T-CR	(3,640)	\$39,171.00	D12049T	(3,180)	\$35,499.00
54'2"	4	4	7½	D12054T-CR	(3,969)	\$40,697.00	D12054T	(3,509)	\$37,024.00
55'8"	4	4	7½	D12055T-CR	(4,011)	\$40,834.00	D12055T	(3,551)	\$37,161.00
59'1"	5	4	7½	D12059T-CR	(4,090)	\$41,409.00	D12059T	(3,630)	\$37,737.00
60'	5	4	10	D12060T-CR	(4,115)	\$41,667.00	D12060T	(3,655)	\$37,995.00
61'10"	5	5	10	D12061T-CR	(4,381)	\$42,921.00	D12061T	(3,921)	\$39,250.00
68'1"	6	5	10	D12068T-CR	(4,527)	\$43,894.00	D12068T	(4,067)	\$40,220.00
72'	6	5	10	D12072T-CR	(4,624)	\$44,336.00	D12072T	(4,164)	\$40,664.00
74'3" - 75'	6	5	10	D12074T-CR	(4,673)	\$44,739.00	D12074T	(4,213)	\$41,066.00
78'	7	6	10	D12078T-CR	(4,769)	\$45,264.00	D12078T	(4,309)	\$41,591.00
80'5"	7	6	10	D12080T-CR	(4,830)	\$45,533.00	D12080T	(4,370)	\$41,861.00
88'7"	7	6	15	D12088T-CR	(5,621)	\$48,332.00	D12088T	(5,161)	\$44,661.00
90'	8	6	15	D12090T-CR	(5,669)	\$48,708.00	D12090T	(5,209)	\$44,911.00
91'10"	8	7	15	D12091T-CR	(5,717)	\$48,852.00	D12091T	(5,257)	\$45,179.00
92'9"	8	7	15	D12092T-CR	(5,741)	\$49,132.00	D12092T	(5,280)	\$45,458.00
105'	9	7	15	D12105T-CR	(6,475)	\$54,710.00	D12105T	(6,015)	\$51,037.00

Auto Advance

Auto Advance is highly recommended for all sweeps with tractor drive. Manual monitoring of the system is eliminated, tire and component wear is reduced, and the sweep performs at an optimum BPH for more efficient unloading.

Auto Advance controls sweep movement by monitoring sweep motor amperage. When the Sweep is loaded to a pre-set point, the Auto Advance stops the Tractor Drive Wheel. When enough grain is carried away to reduce motor amperage, the Tractor Drive Wheel restarts, resuming sweep travel. Exclusive Auto Reverse senses grain avalanches and backs the sweep out of the pile.

NOTE: Site specific electrical requirements are responsibility of customer/installer. Notify factory of any special considerations prior to ordering



AUTO ADVANCE I

A basic system that includes:

- Automatic and manual operation (with auto reverse).
- Starters for the sweep and tractor motors are included.
- Wiring from the advance control to sweep is not included.
- Controls one bin at a time, but can be moved to other bins of the same diameter with the addition of field installed plugs.

AUTO ADVANCE II

Similar to Auto Advance I, but includes:

- 3.8" monochrome touch screen (4 color programmable) that displays faults and sweep motor amp readings.
- Screen also displays sweep position when the center sump is equipped with a rotary encoder.
- Includes motor contactors and overload - short circuit protection with lockable disconnect.
- Can be interlocked to the underbin conveyor.
- Control up to four sweeps simultaneously.
- A rotary encoder on the center sump (next page) allows Auto Advance II to monitor sweep position, return the sweep "home" even if the bin is not completely empty, and stop the sweep after one revolution.

AUTO ADVANCE III

Similar to Auto Advance II, but includes:

- NEMA 4 enclosure, heated for cold weather operation, 10.4" color touch screen with programmable display, touch screen messages (primarily visual - little language barrier).
- Monitors sweep position, estimates sweep capacity during operation, and the amount of grain remaining.
- User friendly - fault messages are in real time English, not reference code.
- Optional wireless ethernet provides remote monitoring and diagnostics from main office.
- Optional phone modem alerts off-site personnel to problems.
- Programmable for various sized sweep motors, and multiple numbers of bins.
- Explosion-proof components.

AUTO ADVANCE I							
HORSEPOWER		230 VAC			460 VAC		
SWEEP	TRACTOR	PART NO.	WT.	PRICE	PART NO.	WT.	PRICE
7½	2	096073	(15)	\$5,716.00	096063	(15)	\$5,383.00
10	2	096068	(15)	\$5,759.00	096075	(15)	\$5,424.00
15	2	096074	(15)	\$5,951.00	096076	(15)	\$5,597.00
20	2	096079	(15)	\$6,043.00	096083	(15)	\$6,220.00
20	3	096081	(15)	\$6,065.00	096083	(15)	\$6,220.00
25	3	-	-	-	096111	(15)	\$6,619.00
30	3	-	-	-	096138	(15)	\$6,754.00
40	3	-	-	-	096173	(15)	\$8,949.00

Contact factory for panels for use outside US.

D Series Sweeps (PAGE 7 OF 9)

AUTO ADVANCE II							
HORSEPOWER		240 VAC			480 VAC		
SWEEP	TRACTOR	PART NO.	WT.	PRICE	PART NO.	WT.	PRICE
7½	2	096150	(110)	\$18,383.00	096148	(110)	\$18,071.00
10	2	096149	(110)	\$19,104.00	096147	(110)	\$18,305.00
15	2	-	-	-	096146	(110)	\$18,381.00
20	2	-	-	-	096145	(110)	\$19,100.00
20	3*	-	-	-	096151	(110)	\$19,108.00

NOTE: Auto Advance II requires a center sump with internal collector ring

Contact factory for 25, 30, and 40 HP applications.
Contact factory for panels for use outside US.

*For use with 3 HP tractor.

AUTO ADVANCE III							
HORSEPOWER		240 VAC			480 VAC		
SWEEP	TRACTOR	PART NO.	WT.	PRICE	PART NO.	WT.	PRICE
7½	2	096144	(110)	\$23,548.00	-	-	-
10	2	096143	(110)	\$24,265.00	-	-	-
15	2	-	-	-	096142	(110)	\$23,467.00
20	2	-	-	-	096141	(110)	\$24,186.00
20	3*	-	-	-	096152	(110)	\$24,194.00

NOTE: Auto Advance III requires a center sump with internal collector ring.

Contact factory for 25, 30, and 40 HP applications.
Contact factory for panels for use outside US.

*For use with 3 HP tractor.

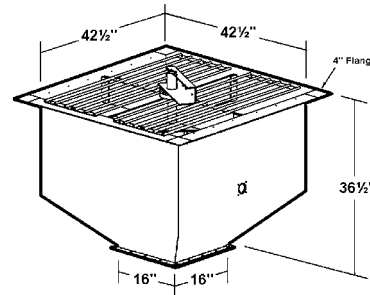
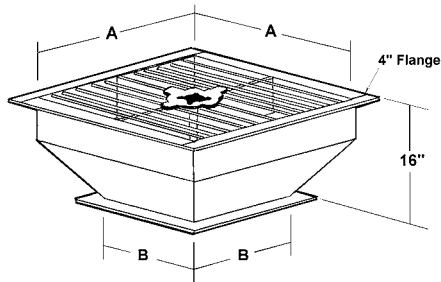
Accessories

Center Sumps (for use with D-Series Sweeps)

NOTE:

Center sump option: Highly recommended. Warranties may be voided by using non-Sudenga sumps.

Collector ring option: For zero-entry applications (requires sump shown below). Permanent power for the sweep motor and tractor drive. Collector rings are explosion proof.



CENTER SUMP WITH ABOVE FLOOR OR NO COLLECTOR RING

Supports sweep weight when buried in grain. Designed for sweeps with an above floor collector ring, or no collector ring. Includes grating and outlet flange.

Use with Auto Advance I.

"A"	"B"	PART NO.	WT.	PRICE
34"	16"	044516	(253)	\$1,881.00
42"	24"	044524	(317)	\$2,159.00
48"	36"	044605	(370)	\$2,699.00
34"	16"	044530	(265)	\$2,033.00
42"	24"	044535	(325)	\$3,296.00
48"	36"	044615	(375)	\$3,702.00

PATENT APPLIES:

www.sudenga.com/about-us/patented-products

CENTER SUMP WITH INTERNAL COLLECTOR RING

Center sumps support the weight of the sweep when buried in grain. Includes grating, outlet flange, and collector ring.

Required for Auto Advance II and III.

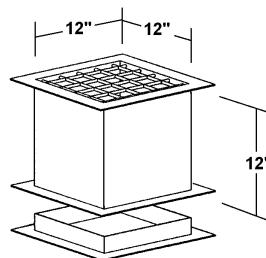
PART NO.	WT.	PRICE
043594	(897)	\$13,007.00

Capacities (All center sumps)	
16" Outlet	up to 15,000 BPH
24" Outlet	up to 35,000 BPH
36" Outlet	up to 85,000 BPH

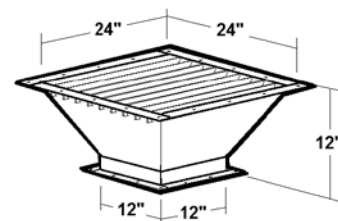
Intermediate Spout and Sump

NOTE: The quantity of intermediate sumps listed on the previous pages is the number of sumps required under the sweep. Maximum of 5'-6" exposed floor between sump openings. If sumps are to be installed across the full diameter of the bin, more sumps will be required.

ITEM DESCRIPTION	PART NO.	WT	PRICE
Intermediate Spout	041273	(44)	\$349.00
Intermediate Sump	047970	(69)	\$510.00



Intermediate spout



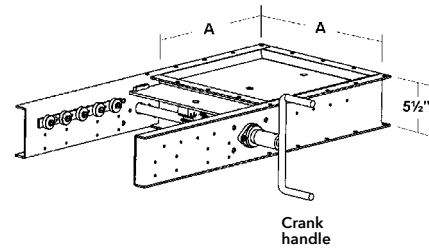
Intermediate sump

D Series Sweeps (PAGE 9 OF 9)

Rack & Pinion Gate

For center and intermediate sumps. Gates ride on nylon rollers.

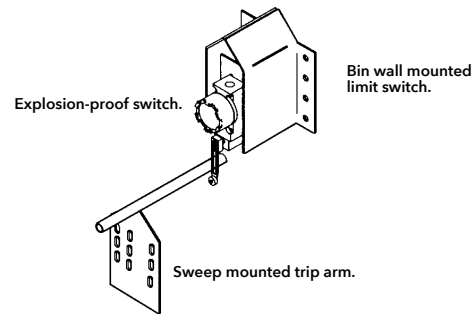
ITEM DESCRIPTION	A	PART NO.	WT.	PRICE
Rack & Pinion Gate	12"	039640	(44)	\$1,006.00
Rack & Pinion Gate	16"	041594	(90)	\$1,034.00
Rack & Pinion Gate	24"	EL2585	(155)	\$1,168.00
Rack & Pinion Gate	36"	Contact Factory		
Crank Handle, all	--	040179	(3)	\$141.00
Chain Control Wheel		EL038268	(11)	\$125.00



Sweep Stop

Limits sweep to one bin revolution. Manual override allows sweep to be moved past switch to reset stop mechanism.

ITEM DESCRIPTION	PART NO.	WT	PRICE
Sweep Stop	041808	(10)	\$2,462.00



Home Row Plate

"Home Row" Plate/Reinforcement Plate may be required to protect lighter gauge aeration floor at home row under sweep tires and/or support stands.

ITEM DESCRIPTION	PART NO.	WT	PRICE
Home Row Plate	040726	(38)	\$90.10

Home Row Plates Needed	
Bins 24' - 49'6"	Qty 4
Bins 54'2" - 68'1"	Qty 5
Bins 72' - 90'	Qty 6
Bins 91'10" - 105'	Qty 7
Bins 120' - 131'	Qty 8
Bins 135' - 139'	Qty 9

NOTES:

NOTES:

TERMS & CONDITIONS

(For complete terms and conditions, go to: bit.ly/sudenga-terms)

GENERAL

PLANT LOCATION: 2002 Kingbird Ave., George, Iowa (1 mile east and 1 mile north of George, IA)

OFFICE HOURS: 8:00 A.M. to 5:00 P.M., Monday through Friday.

PLACING ORDERS: Provide part number and complete description. A rough sketch is required on special built equipment. Please contact us if you do not find the equipment you need as we fabricate many items to fit special requirements.

SHIPPING

COMMERCIAL CARRIER: Several carriers stop daily at our plant. Please specify your delivering carrier when ordering.

UPS: For packages up to 130 inches in length and girth combined. Package weights up to 150 pounds.

PARCEL POST: For packages up to 108 inches in length and girth combined. Package weights up to 70 pounds.

AIR FREIGHT: Sent from Sioux Falls, South Dakota. A charge will be made for delivery to the airport.

WARRANTY

SUDENGA INDUSTRIES, INC. warrants each new unit against operational failure caused by defective material or faulty workmanship which occurs during normal use and operation within 180 days from date of purchase by user. Our obligation under this warranty consists only of repairing or replacing without charge to the customer, or at our option, allowing credit for any part which has failed during the above stated period as a result of being defective at the time of manufacture. All other costs incurred during replacement such as crane rental, labor, loss of income due to work stoppage, etc. are not covered under this warranty. We reserve the right to require the return of the defective part or parts to verify the claim. All material returned to the factory, including any and all parts shipped with the defective part or parts, must be shipped prepaid. The repaired or replaced part or parts, including any and all parts being returned to the user will be shipped FOB, the factory. Electric motors, gas engines, and hydraulic motors are not covered under this warranty. These are covered under their own specific manufacturer warranty. The warranties here are the only warranties made by the manufacturer. No other warranties, expressed or implied, are given on these products.

SUDENGA INDUSTRIES, INC. expressly denies the existence of, or liability for, warranties, either expressed or implied, pertaining to the material handling capacity or horsepower requirements of products in this catalog. Capacities quoted in catalogs or literature, whether supplied by the manufacturer or any other person or agency, are intended to be informational only. Conditions such as temperature, humidity, type of material, weight and moisture content, and equipment maintenance, will affect equipment performance and horsepower requirements and are beyond the manufacturer control.

THE PURCHASER shall be solely responsible for determining the adequacy of the product for any and all uses to which the purchaser shall apply it. The application of this product by the purchaser shall not be subject to any implied warranty of fitness for that purpose.

RETURN POLICY

A proof-of purchase invoice number must accompany all FACTORY APPROVED returned merchandise for credit to be allowed. The following handling and restocking charges will apply:

Within 30 days of invoice date: 10%

91-120 days from invoice date: 40%

30-60 days from invoice date: 20%

Over 120 days from invoice date: No credit

61-90 days from invoice date: 30%

Absolutely no merchandise will be accepted beyond 120 days. No special built equipment may be returned for credit. This policy will be followed stringently.

SPECIAL ORDER POLICY

A 50% non-refundable deposit is required on any special order item. Engineering and production will not begin until the deposit is received and lead-times will be calculated from that date.

Special order is defined as any item not listed on the price sheets, or standard items modified in any way.

All special orders are firm sales and non-cancelable. Credit will not be issued for special order equipment that is returned. The standard warranty may not apply to special order equipment.

MINIMUM ORDERS

List price orders of \$25.00 or less will be billed at NET. No discounts will be allowed on these orders.

Sudenga[®]
INDUSTRIES, INC.

MADE IN THE U.S.A.
MANUFACTURED IN GEORGE, IOWA

SUDENGA INDUSTRIES, INC., GEORGE, IOWA
WWW.SUDENGA.COM | SALES@SUDENGA.COM | 1-888-SUDENGA