



# Legend Loader

## Parts Pricebook

NEW PRICES EFFECTIVE DECEMBER 2, 2013

### Legend Loaders

A Division of Sioux Steel Co., Inc.

200 North Cleveland; PO Box 409  
Lennox, SD 57039

Telephone: (800) 855-534-3784

Fax: (605) 647-1050

E-mail: [info@legendequip.com](mailto:info@legendequip.com)



**Legend Loader Parts List**

# 640 Legend Loader

<b>640 SL PARTS IDENTIFICATION AND PRICES</b>				
				FOB LENNOX, SD
Item No.	Part Number	Description	Quantity	List Price
1	K689444	LH LEVELING PLATE WLDT	1	\$ 236.00
2	K689481	RH LEVELING PLATE WLDT	1	\$ 236.00
3	K689554	ADAPTER SHAFT	1	\$ 65.00
4	K689913	LEG STAND RAIL WLDT	2	\$ 28.00
5	K689915	INDICATOR ROD WLDT	1	\$ 51.00
6	K689926	3 1/4" LIFT CYLINDER ASSEMBLY (640 NSL)	2	\$ 606.00
7	K689933	INDICATOR SLEEVE WLDT	1	\$ 56.00
8	K689935	LEG STAND WLDT	2	\$ 135.00
9	K690901	MAINFRAME	1	\$ 2,305.00
10	K690903	2 1/2" BUCKET CYLINDER ASSEMBY (640 SL)	2	\$ 553.00
11	K690916	LEVELING ARM WLDT	2	\$ 177.00
12	K690920	UPRIGHT WLDT	2	\$ 679.00
13	K690921	REAR LINKAGE PLATE	2	\$ 42.00
14	K690922	RIGHT REAR LINKAGE WLDT	1	\$ 76.00
15	K690923	LEFT LINKAGE WLDT	1	\$ 76.00
16	K690924	LH ADAPTER & LINGKAGE WLDT	1	\$ 528.00
17	K690925	RH ADAPTER & LINKAGE WLDT	1	\$ 528.00
18	K690935	ADAPTER WASHER PLATE	4	\$ 11.00
19	K690937	SPACER - 1.25 X 1.75 X 1.00	4	\$ 11.00
20	K689952	LPACKAGE - LDR 640 HARDLINES	1	\$ 171.00
21	K690938	LPACKAGE - LDR 640 SL HOSES	1	\$ 171.00
28	K689880	"640" DECAL	2	\$ 42.00
29	K689472	PIVOT PIN - 1.375 X 9.625 - GREASEABLE	2	\$ 45.00
30	K689474	PIVOT PIN - 1.375 X 6.375	6	\$ 25.00
31	K689475	PIVOT PIN - 1.1875 X 6.344 - GREASEABLE	2	\$ 34.00
32	K689476	PIVOT PIN - 1.1875 X 6.469	2	\$ 34.00
33	K689477	PIVOT PIN - 1.1875 X 7.1875 - GREASEABLE	2	\$ 45.00
34	K689478	PIVOT PIN - 1.1875 X 7.065	6	\$ 20.00
35	K689553	PIVOT PIN - .75 X 5	2	\$ 28.00

PRICING EFFECTIVE 11/26/2013. PRICES SUBJECT TO CHANGE WITHOUT NOTICE.

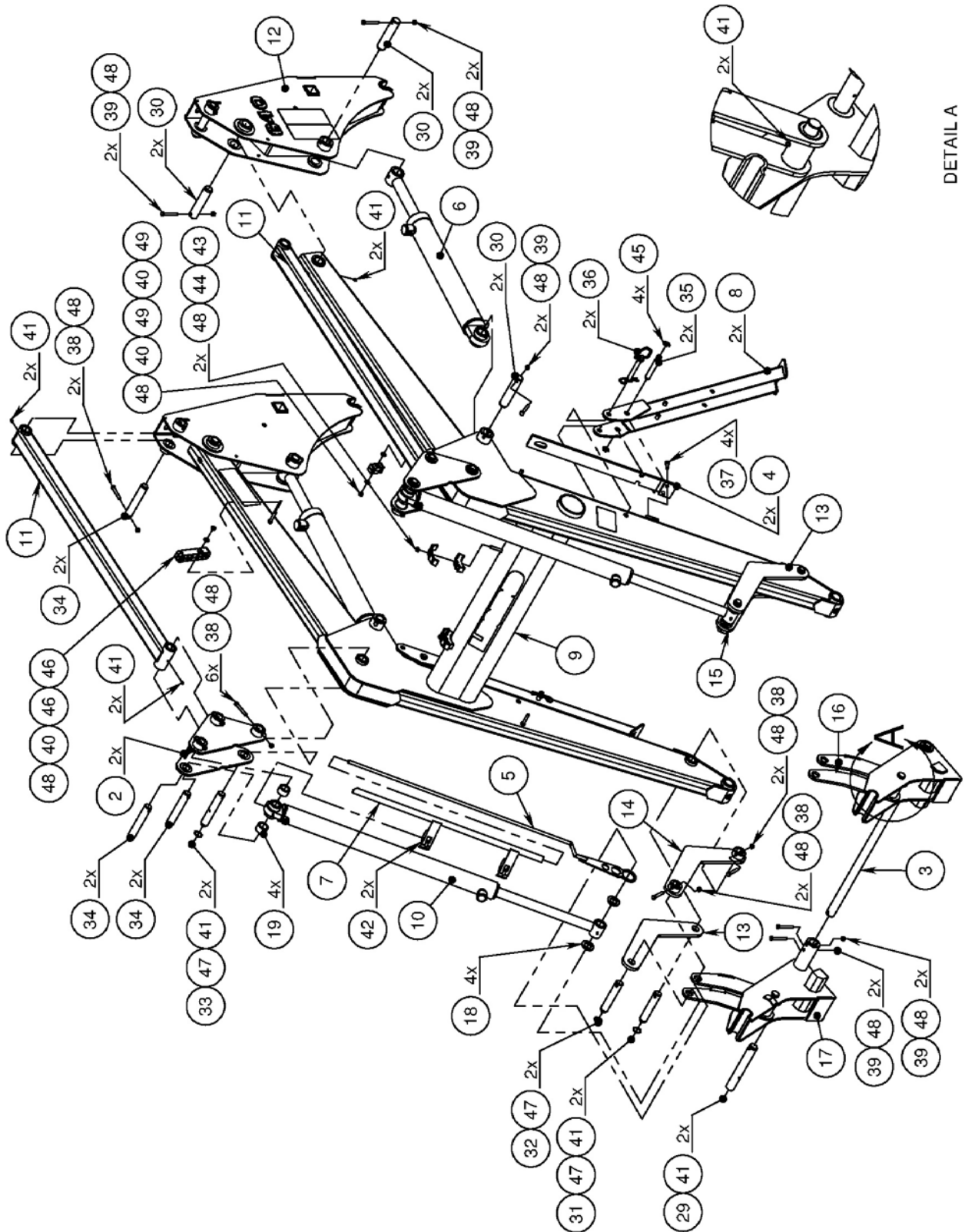
## 640 SL PARTS IDENTIFICATION AND PRICES continued

FOB  
LENNOX, SD

Item No.	Part Number	Description	Quantity	List Price
36	K689571	HITCH PIN - .625 X 4.25	2	\$ 6.00
37	K640032	SCREW - .375-16 X 1.25 GR 5 HHC	4	\$ 2.00
38	K640039	SCREW - .375-16 X 2.50 GR 5 HHC	12	\$ 2.00
39	K680199	SCREW - .375-16 X 2.75 GR 5 HHC	10	\$ 2.00
40	K640154	WASHER - 3/8" FLAT	3	\$ 2.00
41	K657632	ZERK - 1/4-28 GREASE	14	\$ 2.00
42	K689954	2.56 - 3.5 HOSE CLAMP	2	\$ 6.00
43	K690800	OIL LINE CLAMP	2	\$ 17.00
44	K690801	HOSE LINE CLAMP	2	\$ 17.00
45	K689488	3/4" "E" CLIP	4	\$ 2.00
46	K689567	OIL LINE CLAMP - 6 LINES	2	\$ 3.00
47	K689578	1 3/16" EXTERNAL SNAP RING	6	\$ 2.00
48	K700560	NUT - .375-16 GR 2 CENTER LOCK	26	\$ 2.00
49	K672503	OIL LINE CLAMP TWIN .500	2	\$ 2.00

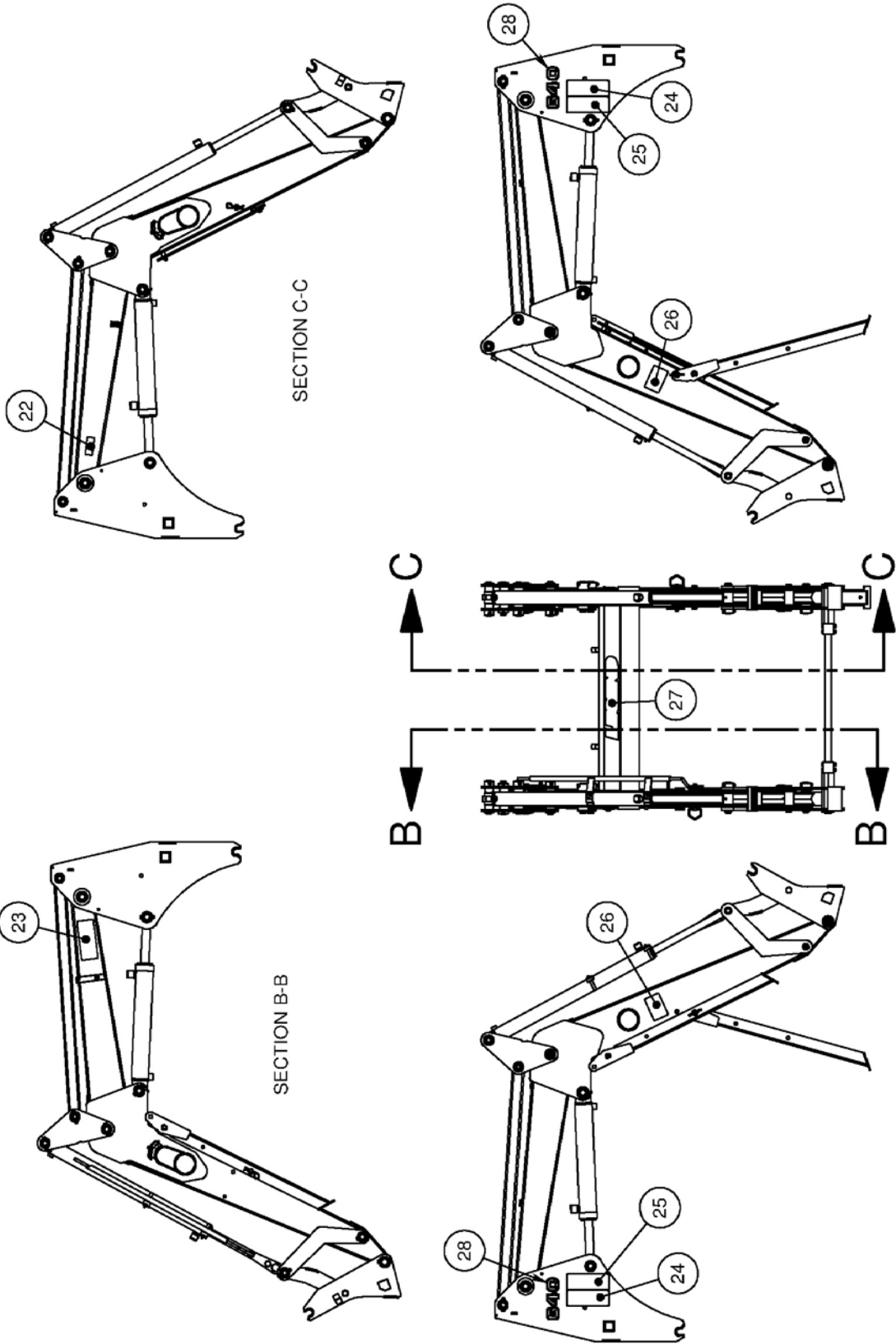
PRICING EFFECTIVE 11/26/2013. PRICES SUBJECT TO CHANGE WITHOUT NOTICE.

# 640 SL LOADER PARTS DIAGRAM



DETAIL A

640 SL LOADER PARTS DIAGRAM - (continued)



## 640 SL GLOBAL PARTS IDENTIFICATION AND PRICES

FOB  
LENNOX, SD

Item No.	Part Number	Description	Quantity	List Price
1	K689444	LH LEVELING PLATE WLDT	1	\$ 236.00
2	K689481	RH LEVELING PLATE WLDT	1	\$ 236.00
3	K689913	LEG STAND RAIL WLDT	2	\$ 28.00
4	K689915	INDICATOR ROD WLDT	1	\$ 51.00
5	K689926	3 1/4" LIFT CYLINDER ASSEMBLY (640NSL)	1	\$ 606.00
6	K689926	3 1/4" LIFT CYLINDER ASSEMBLY (640NSL)	1	\$ 606.00
7	K689933	INDICATOR SLEEVE WLDT	1	\$ 56.00
8	K689935	LEG STAND WLDT	2	\$ 135.00
9	K690901	MAINFRAME WLDT	1	\$ 2,305.00
10	K690916	LEVELING ARM WLDT	2	\$ 177.00
11	K690920	UPRIGHT WLDT	2	\$ 679.00
12	K690921	REAR LINKAGE PLATE	2	\$ 42.00
13	K690922	RIGHT REAR LINKAGE WLDT	1	\$ 76.00
14	K690923	LEFT LINKAGE WLDT	1	\$ 76.00
15	K690937	SPACER - 1.25 X 1.75 X 1.00	4	\$ 11.00
16	K689952	LPACKAGE - LDR 640 HARDLINES	1	\$ 171.00
17	K690938	LPACKAGE - LDR 640 HOSES	1	\$ 171.00
24	K689880	"640" DECAL	2	\$ 42.00
25	K689474	PIVOT PIN - 1.375 X 6.375	6	\$ 25.00
26	K689475	PIVOT PIN - 1.1875 X 6.344 - GREASEABLE	2	\$ 34.00
27	K689476	PIVOT PIN - 1.1875 X 6.469	2	\$ 34.00
28	K689477	PIVOT PIN - 1.875 X 7.1875 GREASEABLE	2	\$ 45.00
29	K689478	PIVOT PIN - 1.1875 X 7.065	6	\$ 20.00
30	K689553	PIVOT PIN - .75 X 5	2	\$ 28.00
31	K689571	HITCH PIN - .625 X 4.25	2	\$ 6.00
32	K640032	SCREW - .375-16 X 1.25 GR 5 HHC	4	\$ 2.00
33	K640039	SCREW - .375-16 X 2.50 GR 5 HHC	12	\$ 2.00
34	K680199	SCREW - .375-16 X 2.75 GR 5 HHC	6	\$ 2.00
35	K640154	WASHER - 3/8" FLAT	3	\$ 2.00
36	K657632	ZERK - 1/4-28 GREASE	14	\$ 2.00
37	K672503	OIL LINE CLAMP TWIN .500	2	\$ 2.00
38	K689954	2.56 - 3.50 HOSE CLAMP	2	\$ 6.00
39	K690800	OIL LINE CLAMP	2	\$ 17.00
40	K689488	3/4" "E" CLIP	4	\$ 2.00
41	K689567	OIL LINE CLAMP - 6 LINES	2	\$ 3.00
42	K689578	1 3/16" EXTERNAL SNAP RING	6	\$ 2.00
43	K700560	NUT - .375-16 GR 2 CENTER LOCK	22	\$ 2.00
44	K690365	640 SL GLOBAL MOUNT SD ASM	1	\$ 1,322.00
44.2	K679304	PIVOT PIN - .79" (20MM) X 8"	2	\$ 62.00
44.3	K675323	COMPRESSION SPRING	2	\$ 11.00
44.4	K690315	PIN 1 X 2 GLOBAL MOUNT	1	\$ 22.00
44.5	K690316	PIN 1 X 1.625 GLOBAL MOUNT	1	\$ 22.00
44.6	K680761	CLEVIS PIN .5" X 1.5"	2	\$ 2.00

PRICING EFFECTIVE 11/26/2013. PRICES SUBJECT TO CHANGE WITHOUT NOTICE.

# 640 SL GLOBAL PARTS IDENTIFICATION AND PRICES

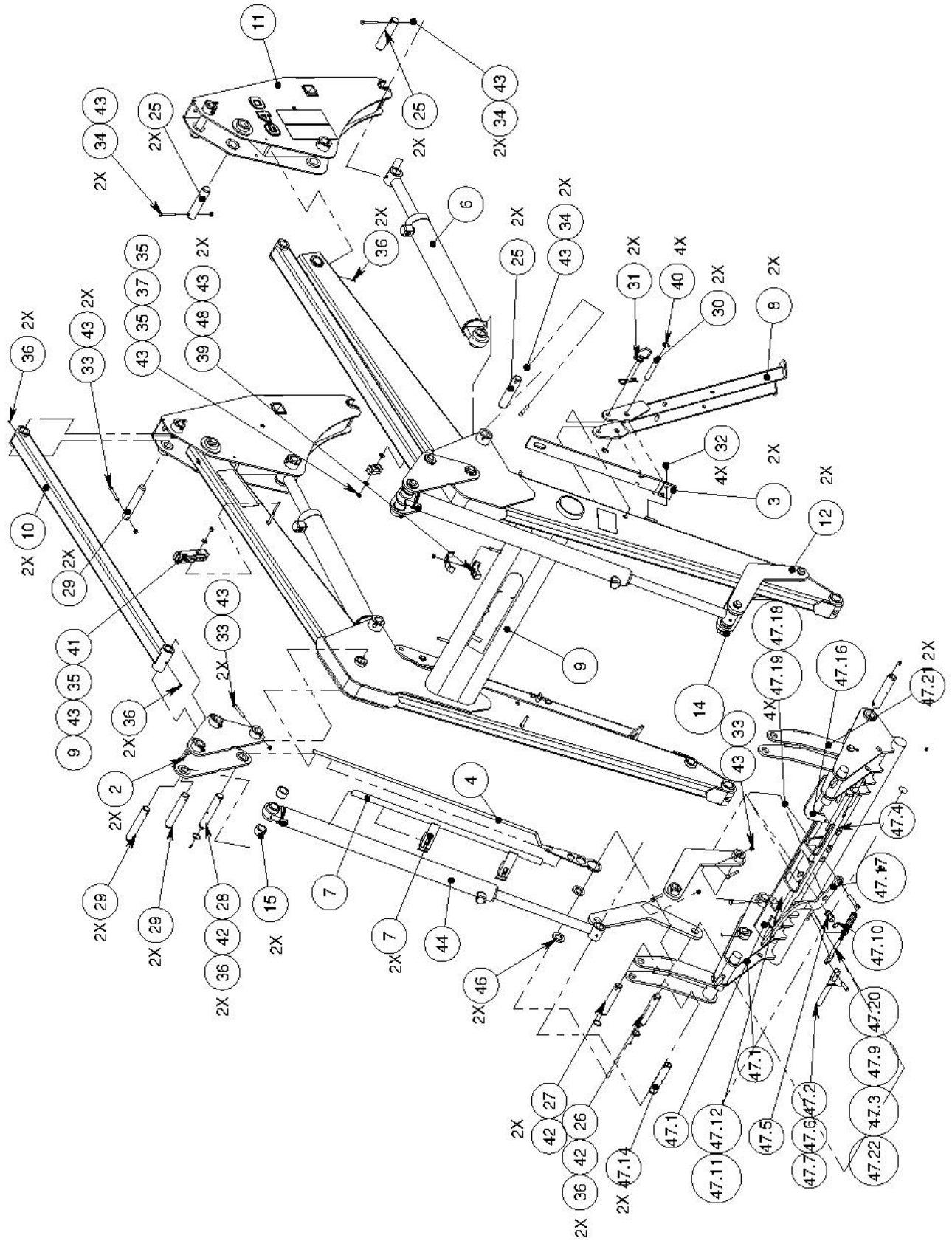
continued

FOB  
LENNOX, SD

Item No.	Part Number	Description	Quantity	List Price
44.7	K680768	COTTER PIN - .156 X 1.50	2	\$ 2.00
44.8	K690317	PIN 1.375 X 6.75 GLOBAL MOUNT	2	\$ 104.00
44.9	K653098	WASHER - 1/2" FLAT N-SERIES	2	\$ 2.00
44.10	K659885	NUT - .500-20 GR 2 HEX FLEXLOCK THIN	2	\$ 6.00
44.11	K690326	1" EXTERNAL SNAP RING	4	\$ 2.00
44.12	K680199	SCREW - .375-16 X 2.75 GR 5 HHC	2	\$ 2.00
44.13	K700560	NUT - .375-16 GR 2 CENTER LOCK	2	\$ 2.00
44.14	K657632	ZERK - 1/4-28 GREASE	6	\$ 2.00
44.15	K689475	PIVOT PIN - 1.1875 X 6.344 - GREASEABLE	2	\$ 34.00
44.16	K640132	NUT - .375-16 GR 2 HEX	2	\$ 2.00
44.17	K640039	SCREW - .375-16 X 2.50 GR 5 HHC	2	\$ 2.00
44.18	K690346	HANDLE RH	1	\$ 25.00
44.19	K690351	HANDLE LH	1	\$ 25.00
44.20	K663701	SCREW - .50-13 X 2.75 GR 5 HHC ZP	2	\$ 2.00
44.21	K640139	NUT - .500-13 GR 2 HEX	2	\$ 2.00
44.22	K690353	HOOK UP .5" PIN	2	\$ 22.00
45	K690929	FRONT LINKAGE WLDT	2	\$ 241.00
46	K690935	ADAPTER WASHER PLATE	4	\$ 11.00
47	K690801	HOSE LINE CLAMP	2	\$ 17.00
48	K690903	2 1/2" BUCKET CYLINDER ASSEMBLY (640 SL)	2	\$ 553.00

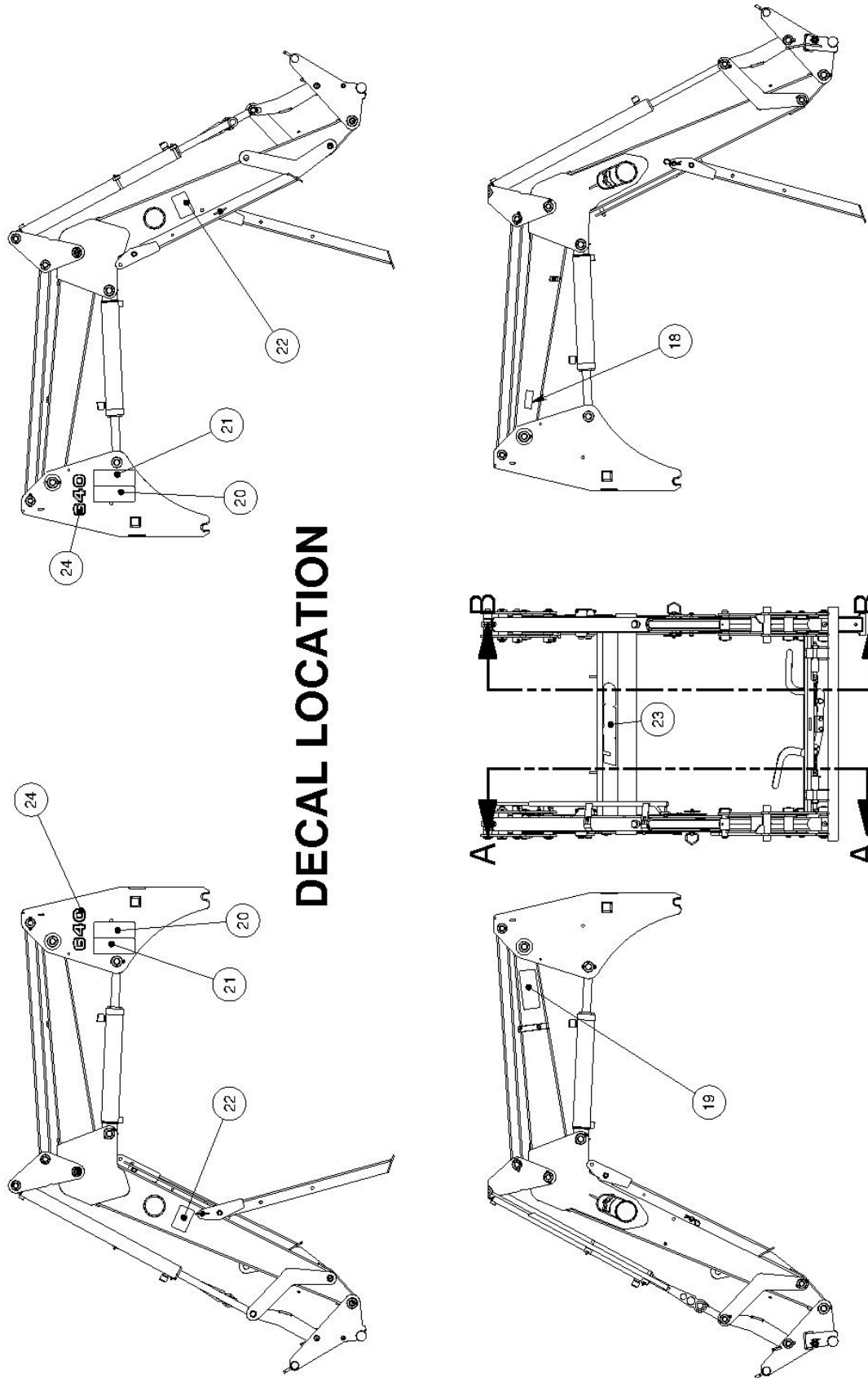
PRICING EFFECTIVE 11/26/2013. PRICES SUBJECT TO CHANGE WITHOUT NOTICE.

# 640 SL GLOBAL LOADER PARTS DIAGRAM





# 640 SL GLOBAL LOADER PARTS DIAGRAM



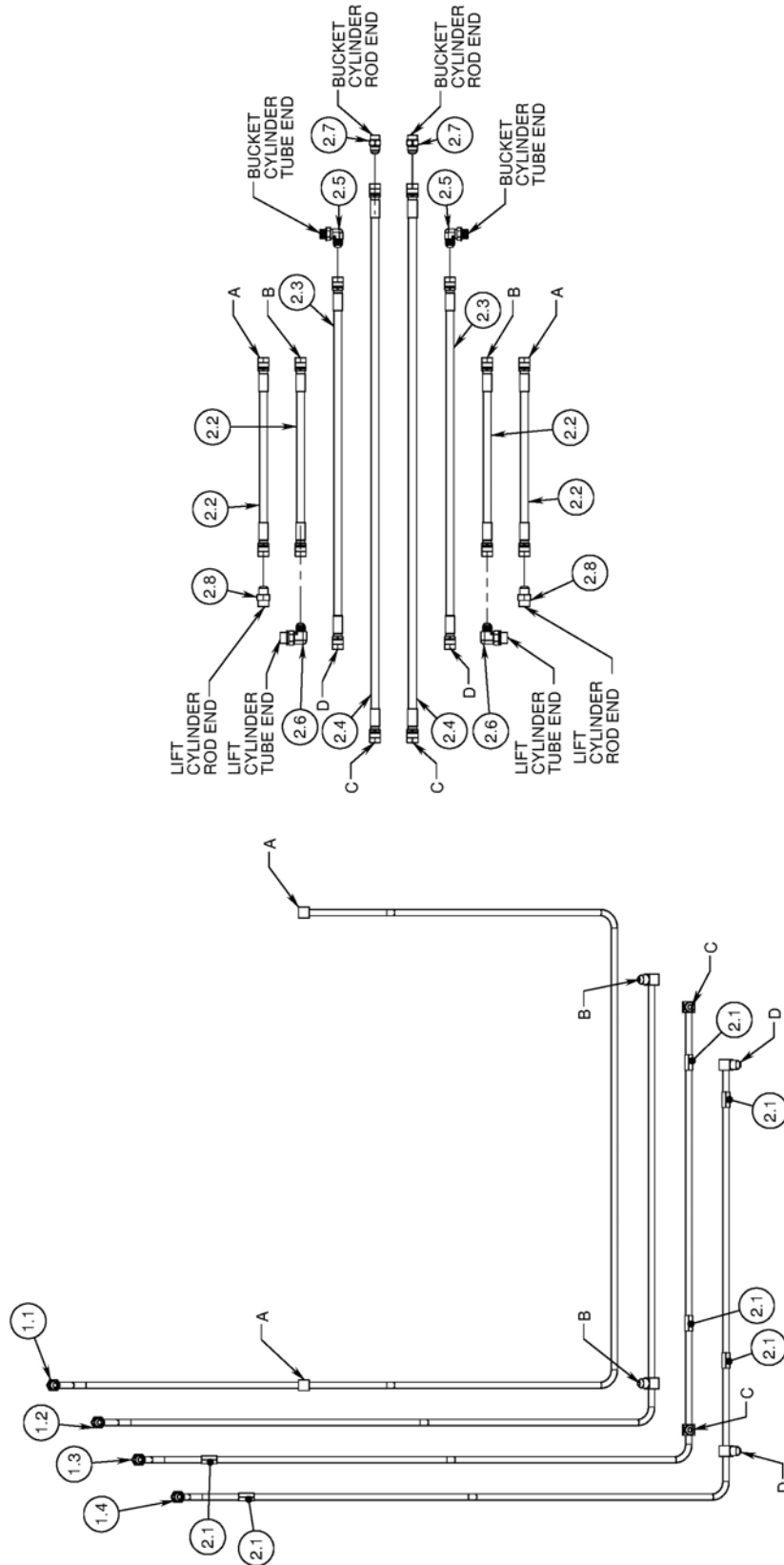
## 640 SL HYDRAULIC PARTS IDENTIFICATION AND PRICES

FOB  
LENNOX, SD

Item No.	Part Number	Description	Quantity	List Price
1	K689952	LPACKAGE - LDR 640 HARDLINES	1	\$ 171.00
1.1	K689940	LIFT CYL RETRACT OIL LINE #6	1	\$ 53.00
1.2	K689941	LIFT CYL EXTEND OIL LINE #5	1	\$ 45.00
1.3	K689942	BUCKET CYL RETRACT OIL LINE #4	1	\$ 45.00
1.4	K689943	BUCKET CYL EXTEND OIL LINE #3	1	\$ 45.00
2	K690938	LPACKAGE - LDR 640 SL HOSES	1	\$ 171.00
2.1	K689645	OIL LINE SPACER - 1/2"	6	\$ 2.00
2.2	K689919	HOSE - KLM6R16-8FJX-8FJX-16	4	\$ 14.00
2.3	K690939	HOSE - KLM6R16-8FJX-8FJX-30	2	\$ 22.00
2.4	K690940	HOSE - KLM6R16-8FJX-8FJX-45	2	\$ 28.00
2.5	K659838	FITTING - HYD ADA 8MJX - 10ORM	2	\$ 2.00
2.6	K663201	FITTING - HYD 90 ELB 8MJX - 8ORM	2	\$ 3.00
2.7	K675513	FITTING - HYD 90 ELB 8MJIC - 10 ORM (6801-8-10)	2	\$ 6.00
2.8	K675515	FITTING - HYD ADA 8MJX - 8ORM	2	\$ 2.00

PRICING EFFECTIVE 11/26/2013. PRICES SUBJECT TO CHANGE WITHOUT NOTICE.

# 640 SL LOADER HYDRAULIC PARTS DIAGRAM



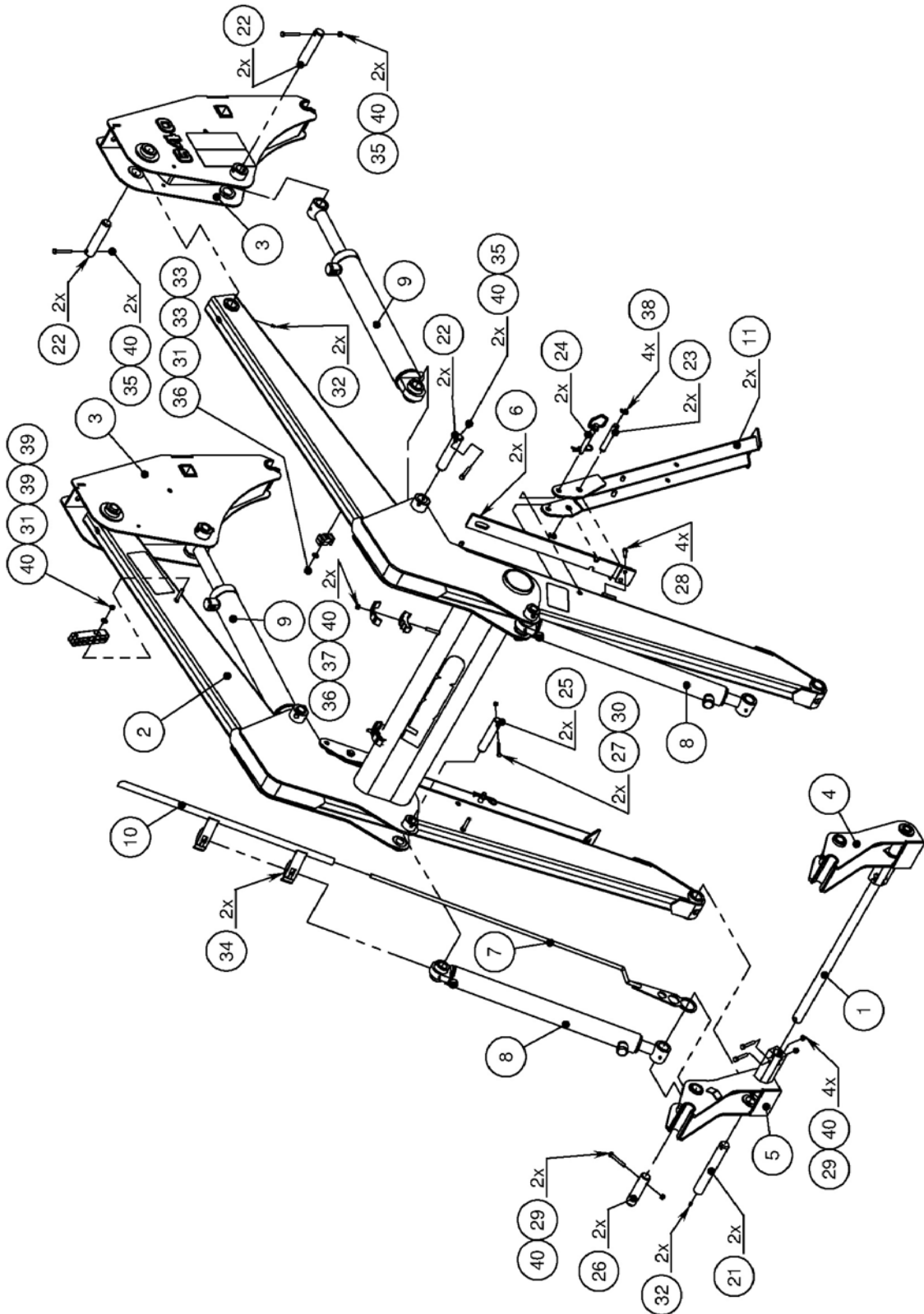
# 640 NSL PARTS IDENTIFICATION AND PRICES

FOB  
LENNOX, SD

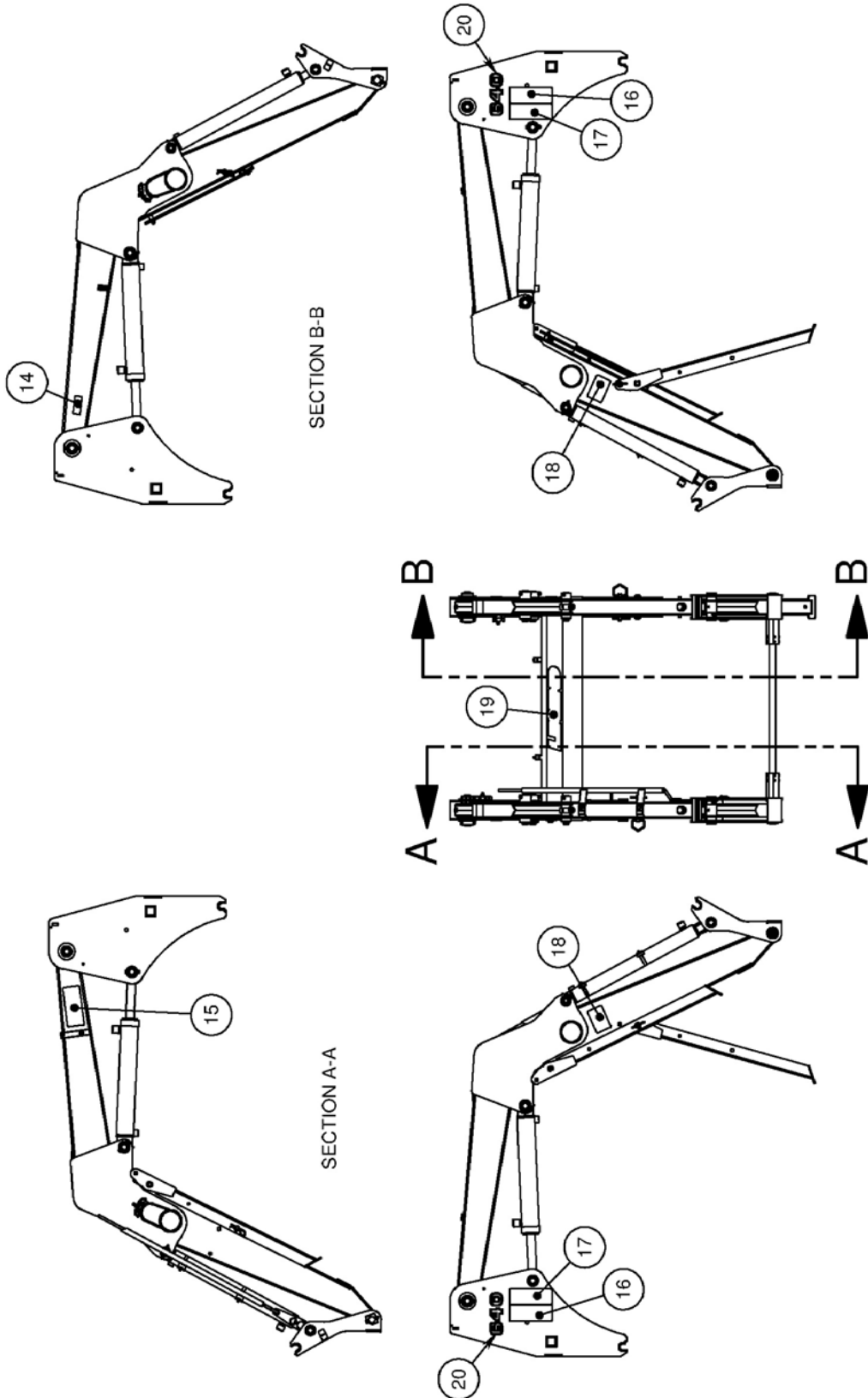
Item No.	Part Number	Description	Quantity	List Price
1	K689554	ADAPTER SHAFT	1	\$ 65.00
2	K689890	MAINFRAME WLDT	1	\$ 2,369.00
3	K689910	UPRIGHT WLDT	2	\$ 668.00
4	K689911	LH ADAPTER WLDT	1	\$ 241.00
5	K689912	RH ADAPTER WLDT	1	\$ 241.00
6	K689913	LEG STAND RAIL WLDT	2	\$ 28.00
7	K689915	INDICATOR ROD WLDT	1	\$ 51.00
8	K689920	2 1/2" BUCKET CYLINDER ASSEMBLY (640 NSL)	2	\$ 480.00
9	K689926	3 1/4" LIFT CYLINDER ASSEMBLY (640 NSL)	2	\$ 606.00
10	K689933	INDICATOR SLEEVE WLDT	1	\$ 56.00
11	K689935	LEG STAND WLDT	2	\$ 135.00
12	K689952	LPACKAGE - LDR 640 HARDLINES	1	\$ 171.00
13	K689953	LPACKAGE - LDR 640 NSL HOSES	1	\$ 177.00
20	K689880	"640" DECAL	2	\$ 42.00
21	K689472	PIVOT PIN - 1.375 X 9.625 - GREASEABLE	2	\$ 45.00
22	K689474	PIVOT PIN - 1.375 X 6.375	6	\$ 25.00
23	K689553	PIVOT PIN - .75 X 5	2	\$ 28.00
24	K689571	HITCH PIN - .625 X 4.25	2	\$ 6.00
25	K689881	PIVOT PIN - 1.125 X 6.00	2	\$ 28.00
26	K689882	PIVOT PIN - 1.375 X 5.50	2	\$ 34.00
27	K640010	SCREW - .250 X 2.50 GR 5 HHC	2	\$ 2.00
28	K640032	SCREW - .375-16 X 1.25 GR 5 HHC	4	\$ 2.00
29	K640039	SCREW - .375-16 X 2.50 GR 5 HHC	6	\$ 2.00
30	K640126	NUT - .25-20 GR 2 CENTER LOCK	2	\$ 2.00
31	K640154	WASHER - 3/8" FLAT	3	\$ 2.00
32	K657632	ZERK - 1/4-28 GREASE	4	\$ 2.00
33	K672503	OIL LINE CLAMP TWIN .500	2	\$ 2.00
34	K689954	2.56 - 3.5 HOSE CLAMP	2	\$ 6.00
35	K680199	SCREW - .375-16 X 2.75 GR 5 HHC	6	\$ 2.00
36	K690800	OIL LINE CLAMP	2	\$ 17.00
37	K690801	HOSE LINE CLAMP	2	\$ 17.00
38	K689488	3/4" "E" CLIP	4	\$ 2.00
39	K689567	OIL LINE CLAMP - 6 LINES	2	\$ 3.00
40	K700560	NUT - .375-16 GR 2 CENTER LOCK	16	\$ 2.00

PRICING EFFECTIVE 11/26/2013. PRICES SUBJECT TO CHANGE WITHOUT NOTICE.

# 640 NSL LOADER PARTS DIAGRAM



# 640 NSL LOADER PARTS DIAGRAM - (continued)



# 640 NSL GLOBAL PARTS IDENTIFICATION AND PRICES

FOB  
LENNOX, SD

Item No.	Part Number	Description	Quantity	List Price
1	K689890	MAINFRAME WLDT	1	\$ 2,369.00
2	K689910	UPRIGHT WLDT	2	\$ 668.00
3	K689913	LEG STAND RAIL WLDT	2	\$ 28.00
4	K689915	INDICATOR ROD WLDT	1	\$ 51.00
5	K689920	2 1/2" BUCKET CYLINDER ASSEMBLY (640 NSL)	1	\$ 480.00
6	K689920	2 1/2" BUCKET CYLINDER ASSEMBLY (640 NSL)	1	\$ 480.00
7	K689926	3 1/4" LIFT CYLINDER ASSEMBLY (640 NSL)	1	\$ 606.00
8	K689926	3 1/4" LIFT CYLINDER ASSEMBLY (640 NSL)	1	\$ 606.00
9	K689933	INDICATOR SLEEVE WLDT	1	\$ 56.00
10	K689935	LEG STAND WLDT	2	\$ 135.00
11	K689952	LPACKAGE - LDR 640 HARDLINES	1	\$ 171.00
12	K689953	LPACKAGE - LDR 640 NSL HOSES	1	\$ 177.00
19	K689880	"640" DECAL	2	\$ 42.00
20	K689474	PIVOT PIN - 1.375 X 6.375	6	\$ 25.00
21	K689553	PIVOT PIN - .75 X 5	2	\$ 28.00
22	K689571	HITCH PIN - .625 X 4.25	2	\$ 6.00
23	K689881	PIVOT PIN - 1.125 X 6.00	2	\$ 28.00
24	K640010	SCREW - .250-20 X 2.50 GR 5 HHC	2	\$ 2.00
25	K640032	SCREW - .375-16 X 1.25 GR 5 HHC	4	\$ 2.00
26	K640039	SCREW - .375-16 X 2.50 GR 5 HHC	2	\$ 2.00
27	K640126	NUT - .25-20 GR 2 CENTER LOCK	2	\$ 2.00
28	K640154	WASHER - 3/8" FLAT	3	\$ 2.00
29	K657632	ZERK - 1/4-28 GREASE	3	\$ 2.00
30	K672503	OIL LINE CLAMP TWIN .500	2	\$ 2.00
31	K689954	2.56 - 3.50 HOSE CLAMP	2	\$ 6.00
32	K680199	SCREW - .375-16 X 2.75 GR 5 HHC	6	\$ 2.00
33	K690800	OIL LINE CLAMP	2	\$ 17.00
34	K690801	HOSE LINE CLAMP	2	\$ 17.00
35	K689488	3/4" "E" CLAMP	4	\$ 2.00
36	K689567	OIL LINE CLAMP - 6 LINES	2	\$ 3.00
37	K700560	NUT - .375-16 GR 2 CENTER LOCK	12	\$ 2.00
38	K690363	640 NSL GLOBAL	1	\$ 1,465.00
38.2	K679304	PIVOT PIN - .79" (20MM) X 8"	2	\$ 62.00
38.3	K675353	COMPRESSION SPRING	2	\$ 22.00
38.4	K690315	PIN 1 X 2 GLOBAL MOUNT	1	\$ 22.00
38.5	K690316	PIN 1 X 1 .625 GLOBAL MOUNT	1	\$ 22.00

PRICING EFFECTIVE 11/26/2013. PRICES SUBJECT TO CHANGE WITHOUT NOTICE.

# 640 NSL GLOBAL PARTS IDENTIFICATION AND PRICES

continued

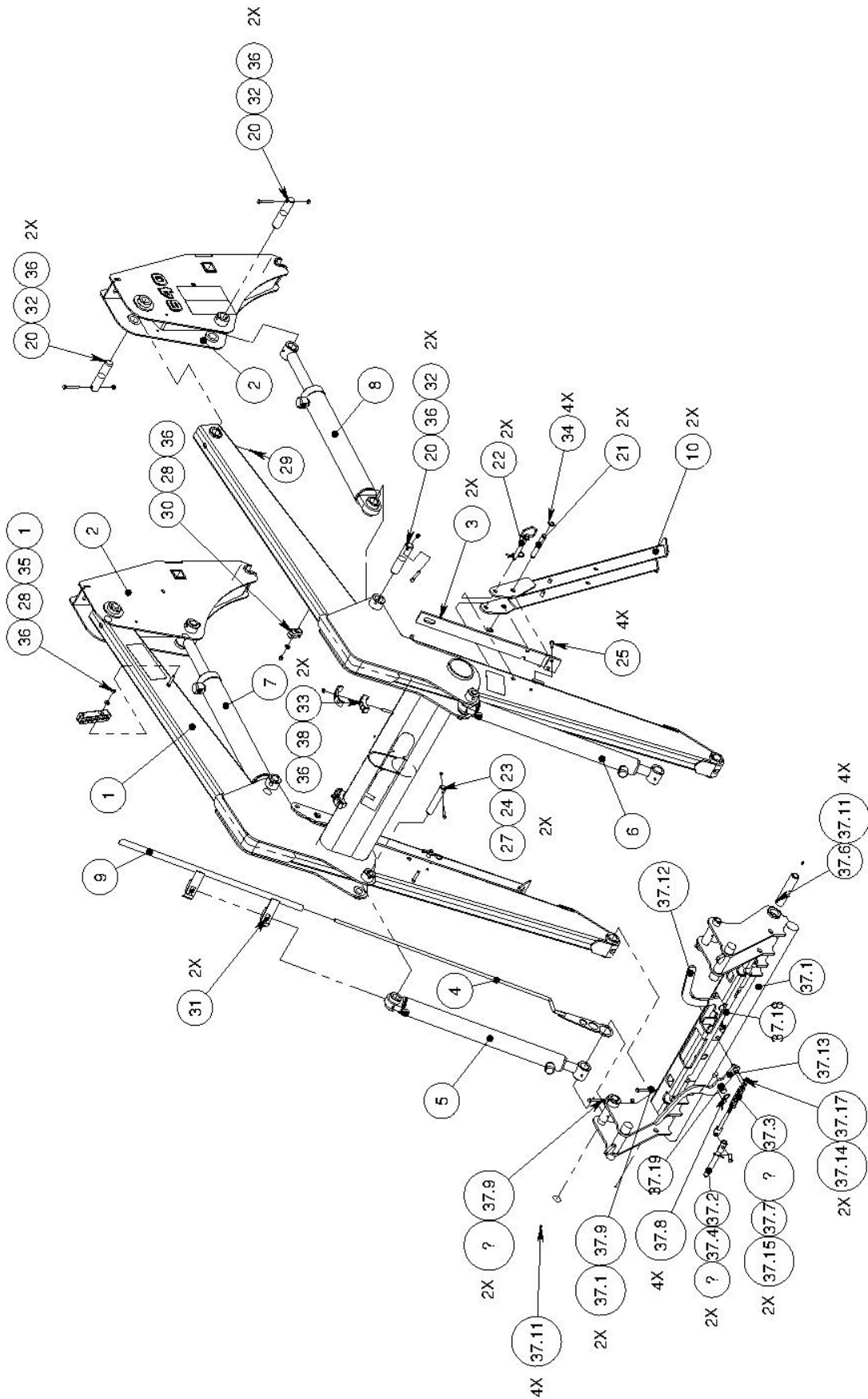
FOB  
LENNOX, SD

Item No.	Part Number	Description	Quantity	List Price
38.6	K680761	CLEVIS PIN .5" X 1.5"	2	\$ 2.00
38.7	K680768	COTTER PIN - .156 X 1.50	2	\$ 2.00
38.8	K690317	PIN 1.375 X 6.75 GLOBAL MOUNT	4	\$ 104.00
38.9	K653098	WASHER - 1/2" FLAT N-SERIES	2	\$ 2.00
38.10	K659885	NUT - .500-20 GR 2 HEX FLEXLOCK THIN	2	\$ 6.00
38.11	K690326	1" EXTERNAL SNAP RING	4	\$ 2.00
38.12	K680199	SCREW- .375-16 X 2.75 GR 5 HHC	2	\$ 2.00
38.13	K700560	NUT - .375-16 GR 2 CENTER LOCK	2	\$ 2.00
38.14	K657632	ZERK - 1/4-28 GREASE	6	\$ 2.00
38.15	K640132	NUT - .375-16 GR 2 HEX	2	\$ 2.00
38.16	K640039	SCREW - .375-16 X 2.50 GR 5 HHC	2	\$ 2.00
38.17	K690346	HANDLE RH	1	\$ 25.00
38.18	690351	HANDLE LH	1	\$ 25.00
38.19	663701	SCREW - .50-13 X 2.70 GR 5 HHC ZP	2	\$ 2.00
38.20	640139	NUT - .500-13 GR 2 HEX	2	\$ 2.00
38.21	690353	HOOK UP .5" PIN	2	\$ 22.00

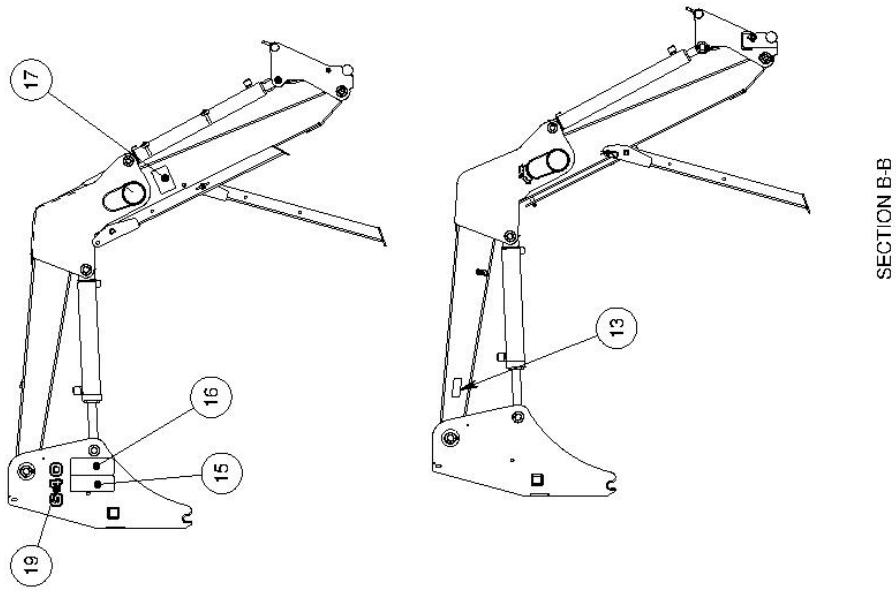
PRICING EFFECTIVE 11/26/2013. PRICES SUBJECT TO CHANGE WITHOUT NOTICE.



# 640 NSL GLOBAL LOADER PARTS DIAGRAM

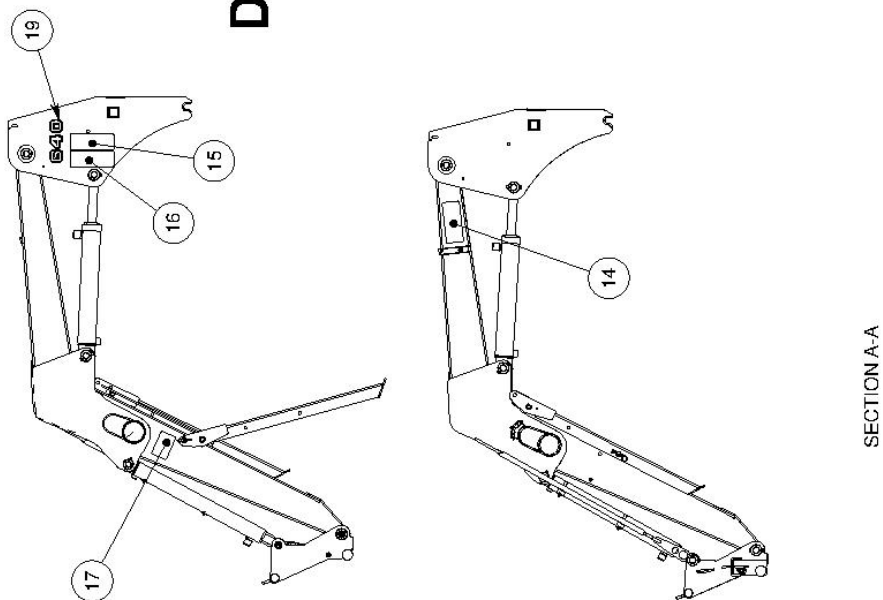
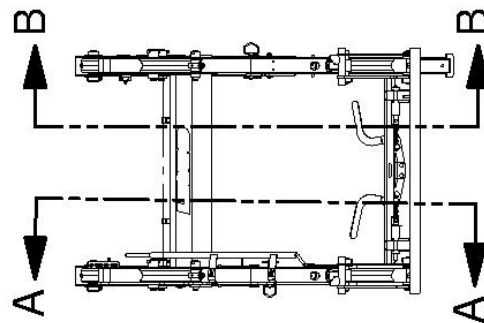


# 640 NSL GLOBAL LOADER PARTS DIAGRAM - (continued)



SECTION B-B

## DECAL LOCATION



SECTION A-A

Ref pages 640- 7&8

cont'd

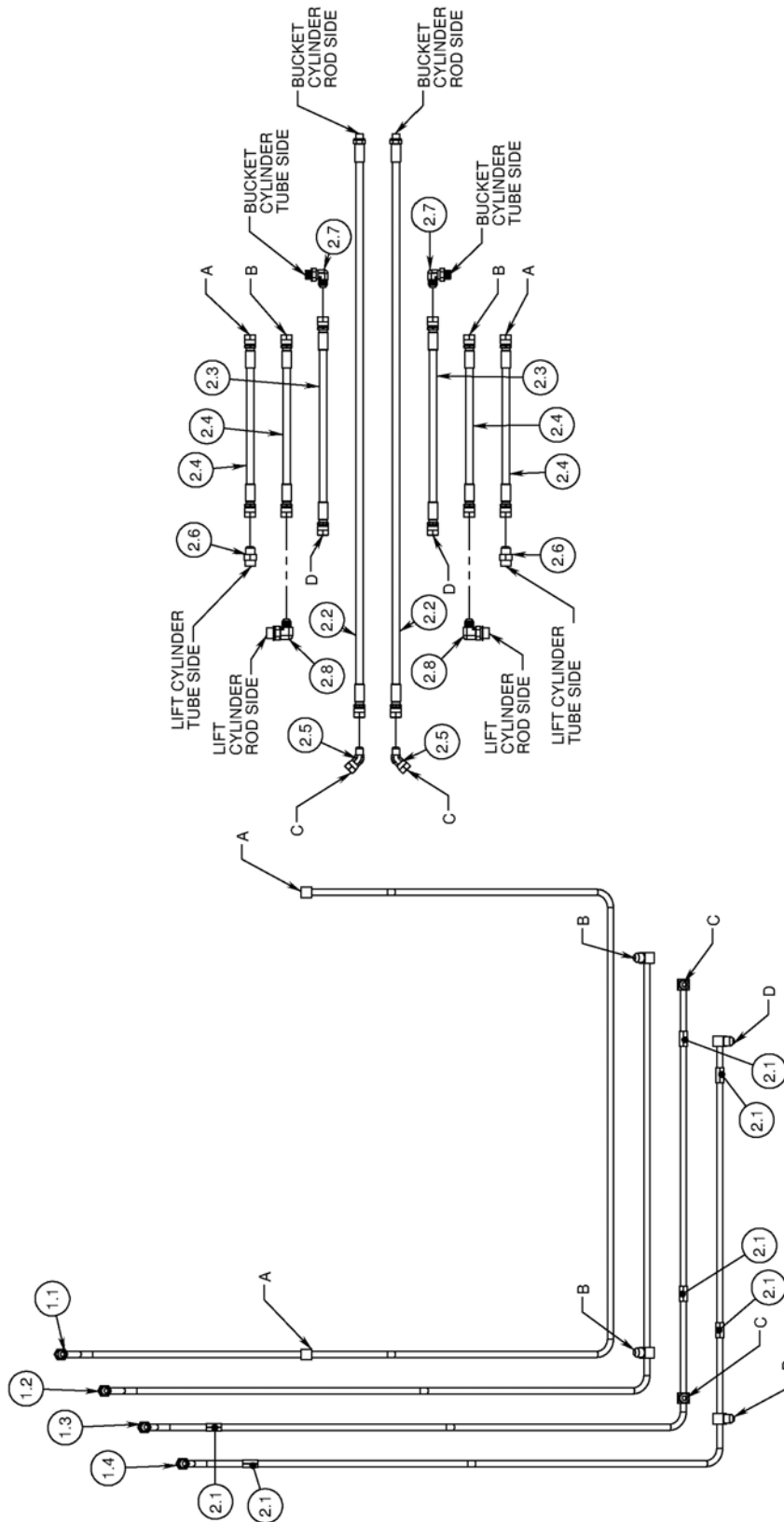
# 640 NSL HYDRAULIC PARTS IDENTIFICATION AND PRICES

FOB  
LENNOX, SD

Item No.	Part Number	Description	Quantity	List Price
1	K689952	LPACKAGE - LDR 640 HARDLINES	1	\$ 171.00
1.1	K689940	LIFT CYL TRACT OIL LINE #6	1	\$ 53.00
1.2	K689941	LIFT CYL EXTEND OIL LINE #5	1	\$ 45.00
1.3	K689942	BUCKET CYL RETRACT OIL LINE #4	1	\$ 45.00
1.4	K689943	BUCKET CYL EXTEND OIL LINE #3	1	\$ 45.00
2	K689953	LPACKAGE - LDR 640 NSL HOSES	1	\$ 177.00
2.1	K689645	OIL LINE SPACER - 1/2"	6	\$ 2.00
2.2	K689917	HOSE - KLM6R16-8FJX-8MBO-48	2	\$ 20.00
2.3	K689918	HOSE - KLM6R16-8FJX-8FJX-18	2	\$ 14.00
2.4	K689919	HOSE - KLM6R16-8FJX-8FJX-16	4	\$ 14.00
2.5	K652448	45 ELBOW 8FJX-8MJX	2	\$ 3.00
2.6	K659838	FITTING - HYD ADA 8MJX - 10ORM	2	\$ 2.00
2.7	K663201	FITTING - HYD 90 ELB 8MJX - ORM	2	\$ 3.00
2.8	K675513	FITTING - HYD 90 ELB 8JMIC - 10 ORM - (6801-8-10)	2	\$ 6.00

PRICING EFFECTIVE 11/26/2013. PRICES SUBJECT TO CHANGE WITHOUT NOTICE.

# 640 NSL LOADER HYDRAULIC PARTS DIAGRAM



# BUCKET PARTS SCHEDULE

## 7' JOHN DEERE 600-700 SERIES BUCKET

FOB  
LENNOX, SD

Item No.	Part Number	Description	Quantity	Price
	K690000	7' JD BUCKET ASSEMBLY		\$ 2,863.00
1	K690005	7' JD BUCKET WELDMENT	1	\$ 2,754.00
2	K650389	PIN-ROLL .25X1.5	2	\$ 2.00
3	K690020	LATCH PIN	2	\$ 42.00
4	K650388	SPRING .135 WIRE X 1.460ID X 4	4	\$ 247.00

### BOLT-ON BLADE KT (OPTIONAL)

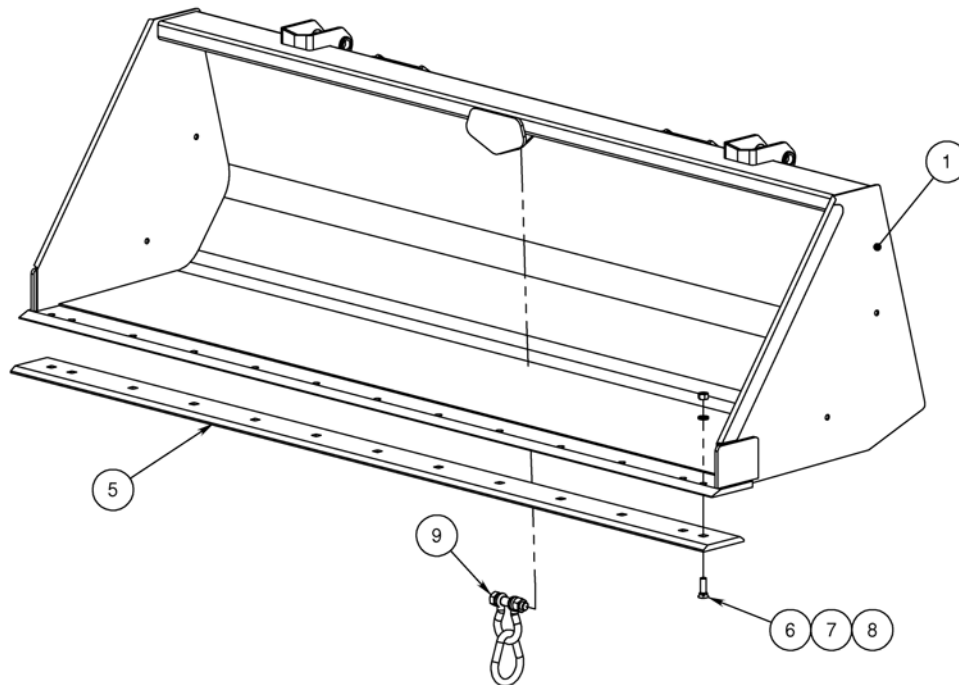
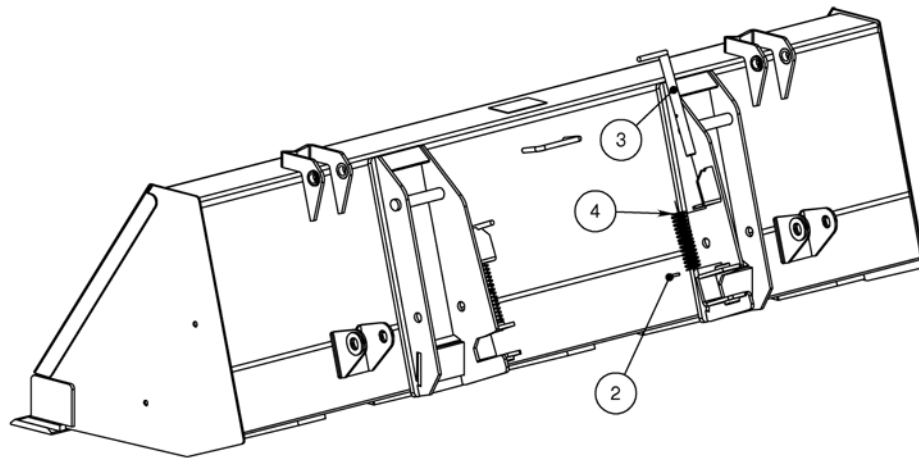
Item No.	Part Number	Description	Quantity	Price
	K690052	7' BUCKET BOLT-ON BLADE KIT		\$ 264.00
5	K690055	7' BOLT-ON BUCKET BLADE	1	\$ 222.00
6	K673366	SCREW- .625-11 X 2.00 GR 5 PH	11	\$ 3.00
7	K640159	WASHER - 5/8" SPRING LOCK	11	\$ 2.00
8	K640142	NUT- .625-11 GR 5 HEX	11	\$ 2.00

### CLEVIS & SLING LINK KIT (OPTIONAL)

Item No.	Part Number	Description	Quantity	Price
9	K689120	CLEVIS & SLING LINK KIT	1	\$ 36.00

PRICING EFFECTIVE 11/26/2013. PRICES SUBJECT TO CHANGE WITHOUT NOTICE.

# JD 600 - 700 SERIES BUCKET PARTS DIAGRAM



# HYDRAULIC CYLINDER PARTS LIST

## LEGEND LOADER ONLY MODELS

### 640 SL & NSL LIFT CYLINDERS (Part No. K689927)

Item No.	Part Number	Description	Quantity	Price
1	K689927	Tube Weldment	1	\$ 306.00
2	K661017	Locknut	1	\$ 6.00
3	K675577	Piston Assembly	1	\$ 48.00
4	K675570	Gland Assembly	1	\$ 56.00
5	K689929	Rod Weldment	1	\$ 138.00

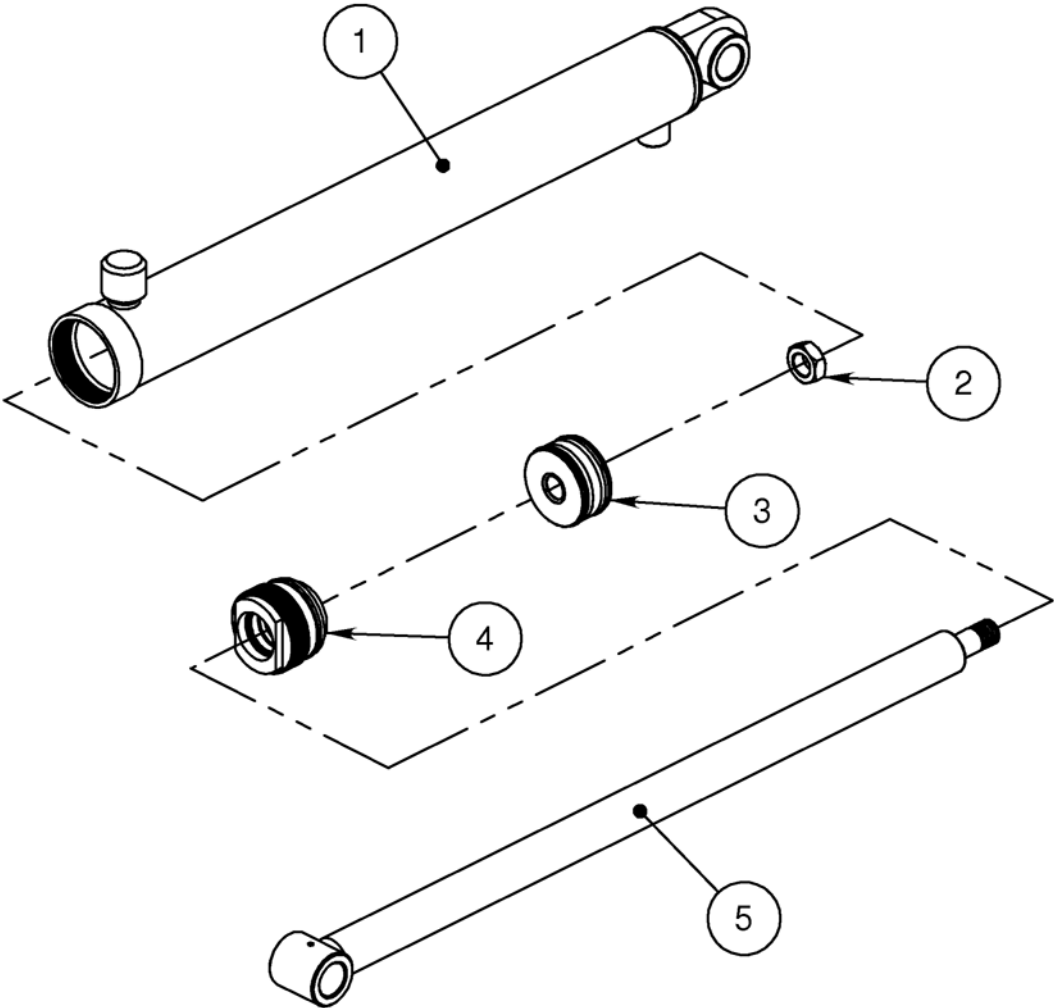
### 640 SL BUCKET CYLINDER (Part No. K690903)

Item No.	Part Number	Description	Quantity	Price
1	K690904	Tube Weldment	1	\$ 303.00
2	K661017	Locknut	1	\$ 6.00
3	K672904	Piston Assembly	1	\$ 34.00
4	K672903	Gland Assembly	1	\$ 48.00
5	K690906	Rod Weldment	1	\$ 121.00

### 640 NSL BUCKET CYLINDER (Part No. K689920)

Item No.	Part Number	Description	Quantity	Price
1	K689921	Tube Weldment	1	\$ 233.00
2	K661017	Locknut	1	\$ 6.00
3	K672904	Piston Assembly	1	\$ 34.00
4	K672903	Gland Assembly	1	\$ 48.00
5	K689924	Rod Weldment	1	\$ 121.00

**HYDRAULIC CYLINDER PARTS DIAGRAM**





## 3 1/4" CYLINDER SERVICE KITS WITH 1 3/4" SHAFT FOR 640 LOADERS

<b>KIT NO.</b>	K675574:	<b>List Price</b>
	Complete kit with all seals needed to service on (1) 3 1/4" Cylinder.	\$ 36.00
<b>Consists of:</b>	1 each 3 1/4" Gland "O" Ring	
	1 each 3 1/4" Backup Ring	
	1 each 1 3/4" U-cup Seal	
	1 each 1 3/4" Rod Wiper	
	1 each 3 1/4" U-cup Seal	
	1 each 1" Rod "O" Ring	
	1 each 1" Locknut	
<b>KIT NO.</b>	K675572:	<b>List Price</b>
	Complete assembled 3 1/4" Cylinder Gland with all seals.	\$ 62.00
<b>Consists of:</b>	1 each 3 1/4" Aluminum Gland	
	1 each 3 1/4" Gland "O" Ring	
	1 each 3 1/4" Backup Ring	
	1 each 1 3/4" U-cup Seal	
	1 each 1 3/4" Rod Wiper	
	1 each 1" Locknut	
<b>KIT NO.</b>	K675576:	<b>List Price</b>
	Complete assembled 3 1/4" Cylinder Piston with all seals.	\$ 53.00
<b>Consists of:</b>	1 each 3 1/4" Aluminum Piston	
	2 each 3 1/4" U-cup Seal	
	1 each 1" Rod "O" Ring	
	1 each 1" Locknut	
<b>KIT NO.</b>	K675573:	<b>List Price</b>
	All seals needed to service one (1) 3 1/4" Cylinder Gland.	\$ 6.00
<b>Consists of:</b>	1 each 3 1/4" Gland "O" Ring	
	1 each 3 1/4" Backup Ring	
	1 each 1 3/4" U-cup Seal	
	1 each 1 3/4" Rod Wiper	
	1 each 1" Locknut	
<b>KIT NO.</b>	K675575:	<b>List Price</b>
	All seals needed to service one (1) 3 1/4" Cylinder Piston.	\$ 6.00
<b>Consists of:</b>	2 each 3 1/4" U-cup Seal	
	1 each 1" Rod "O" Ring	
	1 each 1" Locknut	
<b>NOTE: Parts are only available in a kit form.</b>		

## 2 1/2" CYLINDER SERVICE KITS WITH 1 1/2" SHAFT FOR 640 LOADERS

KIT NO.	K662048:	List Price
	Complete kit with all seals needed to service one (1) 2 1/2" Cylinder..	\$ 25.00
Consists of:	1 each 2 1/2" Gland "O" Ring	
	1 each 2 1/2" Backup Ring	
	1 each 1 1/2" U-cup Seal	
	1 each 1 1/2" Rod Wiper	
	2 each 2 1/2" U-cup Seal	
	1 each 1" Rod "O" Ring	
	1 each 1" Locknut	

KIT NO.	K663317:	List Price
	Completed assembled 2 1/2" Cylinder Gland with all seals.	\$ 48.00
Consists of:	1 each 2 1/2" Aluminum Gland	
	1 each 2 1/2" Gland "O" Ring	
	1 each 2 1/2" Backup Ring	
	1 each 1 1/2" U-cup Seal	
	1 each 1 1/2" Rod Wiper	
	1 each 1" Locknut	

KIT NO.	K663318:	List Price
	Completed assembled 2 1/2" Cylinder Piston with all seals.	\$ 36.00
Consists of:	1 each 2 1/2" Aluminum Piston	
	2 each 1 1/2" U-cup Seal	
	1 each 1" Rod "O" Ring	
	1 each 1" Locknut	

KIT NO.	K662052:	List Price
	All seals needed to service one (1) 2 1/2" Cylinder Gland.	\$ 28.00
Consists of:	1 each 2 1/2" Gland "O" Ring	
	1 each 2 1/2" Backup Ring	
	1 each 1 1/2" U-cup Seal	
	1 each 1 1/2" Rod Wiper	
	1 each 1" Locknut	

KIT NO.	K662055:	List Price
	All seals needed to service one (1) 2 1/2" Cylinder Piston.	\$ 28.00
Consists of:	2 each 2 1/2" U-cup Seal	
	1 each 1" Rod "O" Ring	
	1 each 1" Locknut	

**NOTE: Parts are only available in a kit form.**